

Installation & Maintenance 230V/50Hz Manual



Extractor Corporation
P.O. Box 99
685 Martin Drive
South Elgin, IL 60177
USA

SUITMATE® 

TABLE OF CONTENTS

Introduction	2
Important Installation Options	2
Safety	2
SUITMATE® Installation Instructions	3
Wiring Diagram	6
Testing and Operation	7
Installation Troubleshooting	7
SUITMATE® Utilities Location Diagram	9
Example Photographs of Installed SUITMATE® and Log ..	10
SUITMATE® Maintenance Instructions	14
SUITMATE® Troubleshooting	16
Remove / Replace Mechanical Assemblies	18
Remove SUITMATE® from the Wall Mount Bracket	18
Reinstall SUITMATE® to the Wall Mount Bracket.....	19
Top and Sub Top Assemblies	20
Lid	23
Riser Cable Assembly	25
Drive Unit Assembly	27
Liner	29
Brake Rods, Basket, Hub, and Brake Disc Assembly	31
Brake Disc and Basket.....	33
Brake Lever	35
Brake Pad	37
Shock Mounts	39
Shock Bumper Rings	41
Motor from Mounting Plate.....	45
Replace Electrical Assemblies	47
RCD	47
Motor Capacitor.....	49
Thermal Breaker	51
Motor Switch	53
Micro Switch.....	55
Motor Timer	57
SUITMATE® Micro Switch Adjustment Procedure	59
SUITMATE® Exploded Drawing	60
SUITMATE® Assemblies Chart	61
SUITMATE® Unit Parts and Assemblies List	62

INTRODUCTION

The SUITMATE® unit is a high-speed swimsuit water extractor. It is powered by a 1/3 horsepower, 230-V / 50-Hz fully grounded and fault protected electric motor. The SUITMATE® unit weighs approximately 55 pounds (25kg).

This manual contains Installation Options, Safety Precautions, Installation Instructions, Wiring Diagram, Utilities Location Diagram, Maintenance Instructions, Troubleshooting Guide Instructions detailing the removal / replacement of mechanical or electrical assemblies, Micro Switch Adjustment Procedure, plus an exploded drawing and a Parts List.

The SUITMATE® unit should only be worked on by a qualified mechanic-electrician, or maintenance individual. All maintenance and troubleshooting procedures are located in the appropriate sections of this manual.

Follow the service procedures carefully. Always note the location and position of parts and wires before removing them so that reassembly can be done easily and correctly. If no specific reassembly instructions are given, simply reverse the disassembly procedure.

IMPORTANT INSTALLATION OPTIONS

Prior to installation of the SUITMATE® unit determine how the utilities will be connected. This will affect the installation of the Bottom Plate.

- 1) Electrical and plumbing connected internally.
- 2) Internal electrical connection and external plumbing connection.
- 3) External electrical connection and internal plumbing connection.
- 4) External electrical and plumbing connection.

SAFETY

When servicing the SUITMATE® unit, observe the following safety precautions:

- Always turn off the power at the circuit breaker – place a lockout tag on the circuit breaker panel indicating that the breaker is not to be turned on except by authorized personnel and disconnect the unit before doing any work on the SUITMATE® unit. Simply turning off a switch is NOT enough.
- Use only proper tools, test equipment, and work practices when servicing the SUITMATE® unit. If there are any questions concerning proper tools, equipment or practices, please contact the factory for recommendations at: (Fax) 847-742-3552, or (Email) info@suitmate.com.
- Due to critical tolerances, use only specified replacement parts. See the SUITMATE® UNIT PARTS AND ASSEMBLIES section of this manual.

INSTALLATION INSTRUCTIONS

230-V 13-Amp 50-Hz Self-Timed Unit

The SUITMATE® Swimsuit Water Extractor has been designed and manufactured with safety as our primary consideration. Therefore, it is important that the unit be installed correctly. It is also important that the installation comply with all local building codes and regulations. Please consult your local licensed plumbing and electrical engineers or contractors about your installation. Read the entire INSTALLATION instructions before beginning your installation. Remember: DO IT RIGHT and DO IT SAFE!

PROPER LOCATION FOR THE SUITMATE® UNIT

Following is a list of factors to consider in determining a location for the SUITMATE® unit.

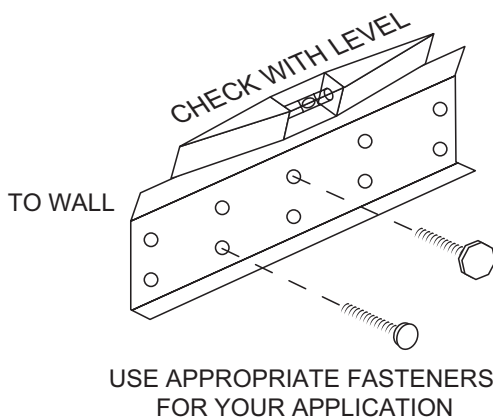
- 1) The unit should be located in an area that is near where people remove and rinse out their swimsuits.
- 2) The unit should NOT be located in a cluttered area or where it is exposed to direct shower water or water hose down.
- 3) The unit should be mounted on a wall structure that will support the unit's approximate 55 pounds (25kg) hanging weight plus the added weight or pressure of people leaning on the unit. Consult the PROPER WALL MOUNTING section of these instructions to determine an appropriate location.
- 4) There should be a means to dispose of the wastewater from the unit. Consult the PROPER DRAINAGE section of these instructions (on page 5) to determine an appropriate location.
- 5) The unit should be wired to 230-V(AC), 13-Amp 50-Hz dedicated circuit. Consult the PROPER ELECTRICAL CONNECTIONS section of these instructions (on page 5) to determine proper location.

PROPER WALL MOUNTING OF THE SUITMATE® UNIT

The SUITMATE® unit should be mounted to the wall with the Wall Mount Bracket that is provided with the unit. The UTILITIES LOCATION DIAGRAM (page 9) shows the recommended location for the mounting holes, the electrical service, and the wastewater outlet (if utilized). The Wall Mount Bracket must be secured to a wall stud, or to concrete block or cinder block wall.

WARNING!

Anchors in drywall are not sufficient to mount the SUITMATE® unit.



Locating and Securing the Wall Mount Bracket to the Wall

The suggested height from the floor to the top of the SUITMATE® unit is 42 inches (1050 mm). At least an additional 10 inches (250 mm) of clearance above the SUITMATE® unit is needed for the opening and closing of the lid. The upper center hole of the Wall Mount Bracket should be 38 +/- 1/16" (965 +/- 2mm) from the floor. The top of the Wall Sign should be 60 +/- 1/16" (965 +/- 2mm) above the floor and centered over the SUITMATE® unit. Determine a location on the wall that provides adequate clearance, a strong and secure place for the Wall Mount Bracket as well as easy access to electrical and drainage connections.

WARNING!

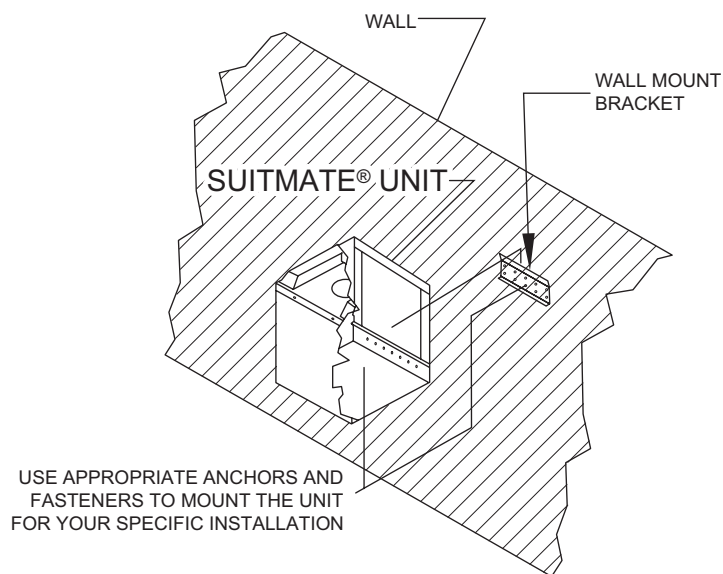
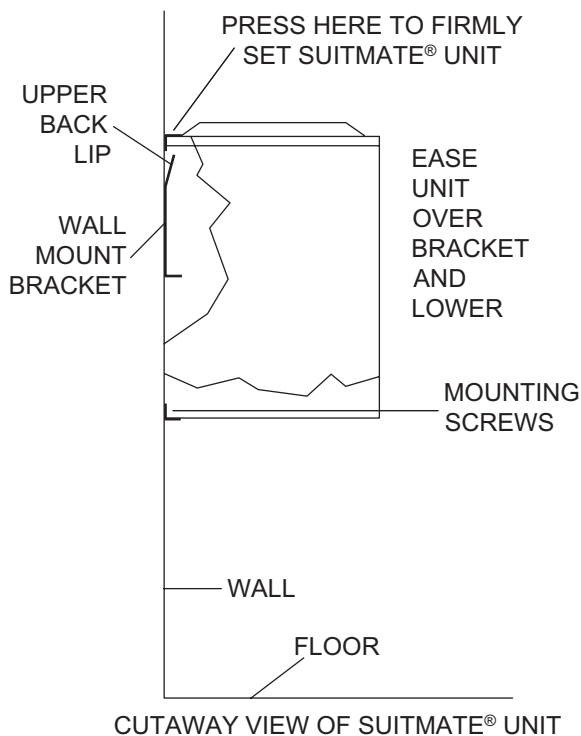
The Wall Mount Bracket must be level after it is secured to the wall.

To secure the Wall Mount Bracket, center the bracket at the desired location and mark the locations of the two center holes. Secure the Wall Mount Bracket at the center holes using fasteners appropriate to your conditions. All fasteners must be capable of supporting 55 pounds (25kg) in addition to the added weight or pressure of people leaning on the unit. Make certain the Wall Mount Bracket is level. Next secure the outer holes of the Wall Mount Bracket to the structure using fasteners appropriate to your conditions. After the bracket has been properly anchored to the wall and the electrical and drainage requirements have been allowed for, the SUITMATE® unit is ready to be mounted to the wall.

Mounting the SUITMATE® Unit to the Wall

Remove the SUITMATE® unit from its shipping box. Remove and discard the packaging material that is protecting the SUITMATE® unit. Remove the Bottom Plate that is attached with six screws. Save the Bottom Plate, the six (AEC1147) mounting screws, and the six (AEC1704) lock washers, as they will be used to finish the installation of the SUITMATE® unit. The Bottom Plate will have two plugs inserted into it. Do not remove the plugs at this time. You will also find a packet containing two grommets. Save these grommets, as they may be required for final installation of the SUITMATE® unit. Remove and discard the packaging material that is protecting the SUITMATE® motor. The upper back lip of the SUITMATE® unit should be lowered down and centered on the Wall Mount Bracket. After the unit is centered, push down on the back of the unit to make certain that it is securely wedged onto the bracket. Make certain the unit is level. If it is not level, remove the unit, adjust the Wall Mount Bracket and re-hang the unit. A level installation is necessary to minimize vibration and insure proper drainage of wastewater. Finish securing the unit to the wall using appropriate fasteners and anchors on the lower mounting channel at the bottom rear of the unit. This will prevent the unit from being lifted from the bracket or being moved.

Note: Several holes in the lower mounting bracket may be obstructed by the RCD Cover. Remove the RCD cover to provide access to these holes.



PROPER DRAINAGE FOR THE SUITMATE® UNIT

Note: *Strictly follow all applicable local plumbing codes and regulations.*

TO A FLOOR DRAIN

Drainage of the wastewater to a floor drain should be done ONLY in an area where the floor is normally wet. DO NOT drain water across a floor where people do not expect to encounter a wet and slippery condition. The SUITMATE® unit comes with a short flexible floor drain extension tube connected with a stainless steel hose clamp to its drain tailpiece, which must be routed through the 1 -1/4" (31.25mm) I.D. Grommet in the Bottom Plate.

WARNING!

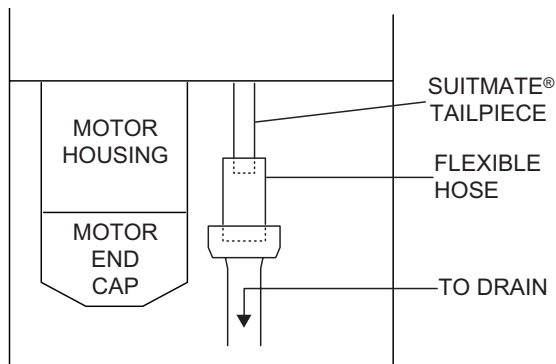
The drain tube that comes with the unit must not be removed unless the unit is connected to an approved wastewater outlet or the factory-supplied tube is replaced with another tube according to the following instructions.

Replacing the Factory Drain Tube with a Longer Drain Tube

Use a 1-1/4 inch (31.25 mm) I.D. drain tube with a smooth interior that will not crimp or collapse. Use the stainless steel hose clamp that is provided with the factory flexible floor drain extension tube to secure the replacement tube to the unit's drain tailpiece. Run the drain tube through the 2" (50mm) I.D. Grommet in the Bottom Plate so that it is never higher than the bottom of the SUITMATE® unit and always slopes down. Secure the drain tube to the wall or floor with properly sized "U" clamps so it cannot be maneuvered to trap wastewater. Cut off the end of the drain tube on an angle to help prevent it from being blocked by the floor, wall, or some other object. Upon completion of the installation, check to make certain that there is a free flow of water from the drain tube extension.

To an Approved Sanitary Waste Line

This installation should only be done in accordance with all applicable local plumbing codes and regulations. The unit's 1-1/4 inch (31.25 mm) O.D. drain tailpiece is designed for connection with standard compression type plumbing fittings. There is room inside the housing for the use of a standard "P" type plumbing connection. The waste outlet should be located in the wall behind the unit. The UTILITIES LOCATION DIAGRAM shows the appropriate location for the waste duct. Refer to UTILITIES LOCATION DIAGRAM on page 9.



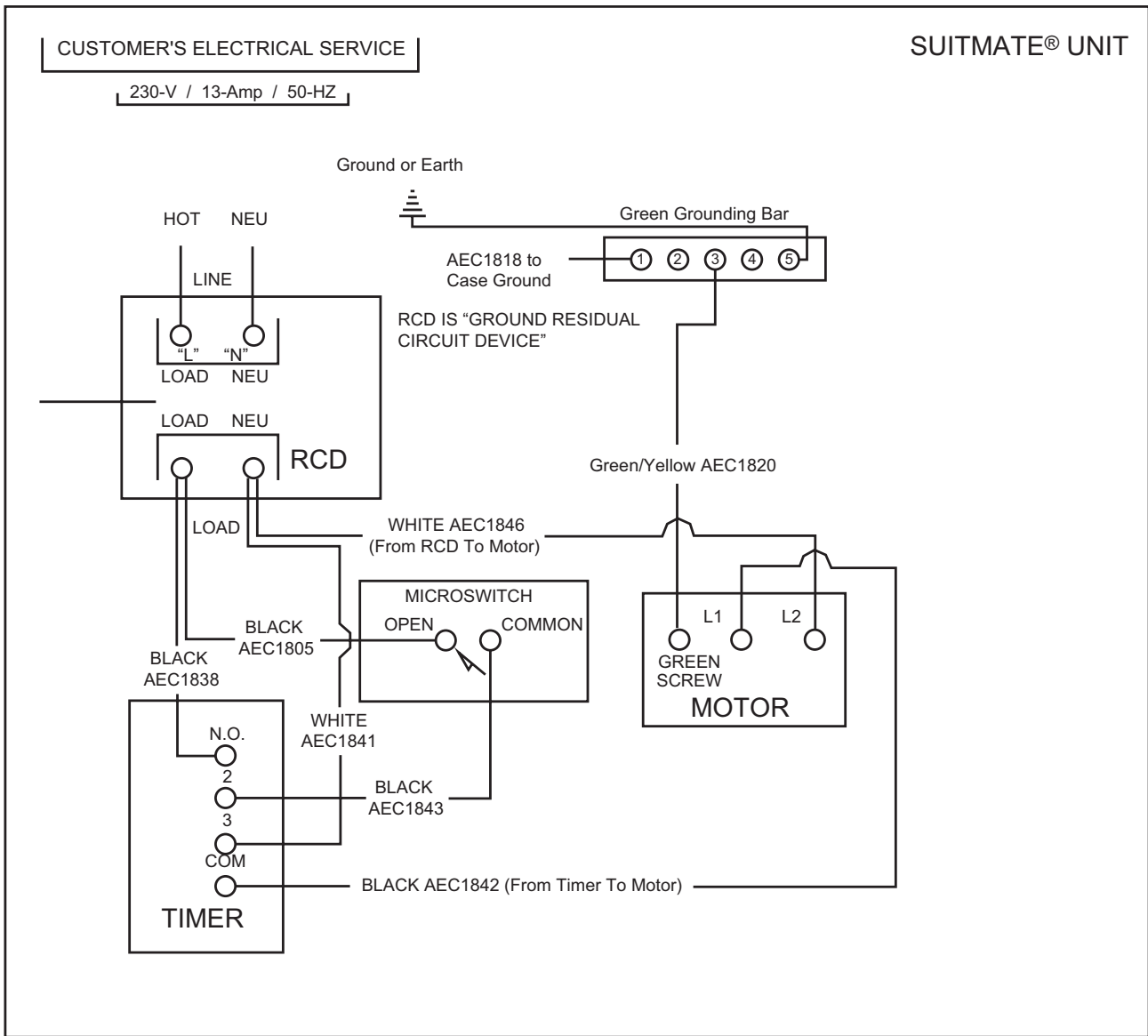
SUITMATE® UNIT HOUSING

If an open-site drain connection is required and the open site is to be positioned within the SUITMATE® unit housing, locate the top of the receiver pipe below the top of the Motor end cap, and locate the top outer edge of the receiver pipe at least 1-1/4 inches (31.25 mm) from the body of the Motor. (Also see the UTILITIES LOCATION DIAGRAM on page 9) Be certain that the cut off end of the drain extension tube is below the top of the receiver with the angle cut facing away from the Motor as illustrated.

PROPER ELECTRICAL CONNECTIONS FOR THE SUITMATE® UNIT

Note: *Strictly follow all applicable local electrical codes and regulations.*

The SUITMATE® unit is equipped with a residual circuit device (RCD), that is designed to be connected to a 230-V, 13-Amp, 50-Hz dedicated circuit that is protected by a fuse or circuit breaker of the correct (13 Amp Maximum) size. The utilized circuit must be run to the SUITMATE® unit's weatherproof RCD Junction Box that contains the RCD. A cable or liquid tight raceway such as Ultralight® Liquid Tight Flexible Conduit (or the equivalent) should be used from the circuit connection to the RCD Junction Box. The UTILITIES LOCATION DIAGRAM (page 9) shows the location of the suggested area behind the unit for the entrance of the electrical raceway or cable that does not interfere with the drainage connection.



WARNING! Do not route the raceway where wastewater can flow or drip on it.

Remove the cover of the weatherproof RCD Junction Box, which contains the RCD, and remove the RCD. Whether a cable or liquid tight raceway is used, the circuit ground conductor must be connected to the Green Grounding Bar located in the RCD Junction Box. If no ground is available on the circuit utilized, you **must provide** a proper ground for the SUITMATE® unit. The load and neutral leads of the power circuit should be connected to the RCD screw terminals marked “L” (load) and “N” (neutral). Connect the load lead to the terminal marked “L” (load) and the neutral lead to the terminal marked “N” (neutral). After the correct electrical connections have been properly made, remount the RCD. Reinstall the weatherproof RCD Junction Box cover (the hinge must be located next to the side of the case) previously removed. This cover provides access to the RCD “TEST” and “RESET” buttons.

POSTING THE WALL SIGN

Locate the top edge of the sign 60+/- 1/16” (1524 +/- 2mm) above the floor centered over the SUITMATE® unit. At this height the sign will not be blocked when the lid is raised. It will also serve as a stop to keep the Lid from striking the wall behind the unit.

The sign has an adhesive foam backing. Be certain the surface that the sign is to be mounted to is clean and dry. Without touching the sign to the wall, align the top of the sign 60+/- 1/16” (1524 +/- 2mm) above the floor and at the center of the unit. Press the sign to the wall and rub firmly over the adhesive portion of the sign.

TESTING AND OPERATION

After the mounting and all connections are complete, test the SUITMATE® unit as follows:

- 1) Make certain all packaging material is removed from the unit including material around the Motor and the Bottom Plate on the bottom of the unit.
- 2) Check to see that the Basket is empty and that the Lid moves freely.
- 3) Press down on the Lid. The unit will start and run for 8 seconds. While the unit is running it should run smoothly and there should be no excessive vibration or noise.
- 4) Releasing the lid before the unit automatically stops causes the Basket to stop within one (1) second.
- 5) Test the SUITMATE® unit by putting a wet swimsuit in the unit according to the instructions on the underside of the Lid. If there is excessive vibration or noise it is usually caused by the improper loading of the swimsuit. Be certain that the swimsuit is pushed to the bottom of the Basket and that all material is at least two inches below the top of the Basket.

INSTALLATION TROUBLESHOOTING

If the SUITMATE® unit does not operate, check the following:

- 1) Check to see if there is power to the unit. Check the circuit using an A.C. voltmeter set to the appropriate range; measure across the “LINE” side of the RCD.
- 2) Make certain that the RCD switch is in the “ON” position.
- 3) Check the connections on the RCD Junction Box. Be certain there is power on the “LOAD” side of the RCD.
- 4) Check the SUITMATE® UNIT TROUBLESHOOTING section in this manual for additional troubleshooting assistance.

FINISHING THE INSTALLATION

After the SUITMATE® unit has been tested and found to be in proper working order. The final step in the installation process is to replace the Bottom Plate on the bottom of the unit.

The Bottom Plate is labeled “This Side Out” and “This Side In.” It is important that the Bottom Plate be re-installed in accordance with these labels. Be certain that the large rectangular opening in the Bottom Plate leaves access to the RCD cover. If the unit was electrically wired and plumbed from within the case, simply replace the Bottom Plate and fasten it with the six (AEC1147) screws and six (AEC1704) lock washers that were saved from the start of the installation process and retest the unit.

CAUTION!

If the electrical wiring and/or plumbing connections are made from the outside of the unit, follow the instructions below to install the Bottom Plate.

EXTERNAL ELECTRICAL SERVICE

If the unit's electrical service is coming into the unit from the outside of the unit, it will be necessary to disconnect the incoming electrical service from the power source. Prior to disconnecting the electrical service make certain that the power source is turned off and locked out!

Remove and discard the small plug from the Bottom Plate, and replace it with the small rubber grommet that was saved from the start of the installation process.

The Bottom Plate is labeled “This Side Out” and “This Side In.” It is important that the Bottom Plate be re-installed in accordance with these labels. Be certain that the large rectangular opening in the Bottom Plate leaves access to the RCD cover.

Route the liquid tight raceway or cable through the grommet. If the unit has an internal plumbing hookup, work the Bottom Plate up to the bottom of the unit making certain that there are no kinks in the liquid tight raceway and that the grommet is secure in the Bottom Plate. If the unit uses an external plumbing hookup, proceed to the following instructions prior to fastening the Bottom Plate to the unit. Otherwise fasten the Bottom Plate to the unit with the six (AEC1147) screws and the six (AEC1704) lock washers removed and retained from the beginning of the installation.

Properly reconnect the incoming power at its source to the RCD, remove the “Locked Out” warning from the power source and turn the power on. Retest the unit for proper operation.

EXTERNAL PLUMBING SERVICE

If the unit's plumbing service uses the factory supplied Drain Hose or is connected from outside the unit, it will be necessary to disconnect the Drain Hose or piping from its external hookup. It will be necessary to route the factory supplied Drain Hose or piping through the Bottom Plate.

Remove and discard the large plug from the Bottom Plate and replace it with the large rubber grommet that was saved from the start of the installations. Run the Drain Hose or piping through the grommet. If the unit has internal electrical service, work the Bottom Plate up to the bottom of the unit making certain that there are no kinks in the Drain Hose, or piping, and fasten the Bottom Plate with the six (AEC1147) screws and six (AEC1704) lock washers removed and retained from the beginning of the installation.

If the unit has external electrical service, work the Bottom Plate up to the bottom of the unit making certain that neither the Drain Hose, or piping, nor the liquid tight raceway, or cable, have any kinks in them. Fasten the Bottom Plate to the unit using the six (AEC1147) screws and six (AEC1704) lock washers removed and retained from the beginning of the installation. Reconnect the Drain Hose or piping to its external hookup. Also, if necessary reconnect the electrical service at its source making certain that the power source is turned off and locked out prior to reconnecting any wires to the unit. Retest the unit.

Be certain to save this MANUAL for future reference. If you require additional information, contact Extractor Corporation (Fax) 1-847-742-3553 or (Email) info@suitmate.com.

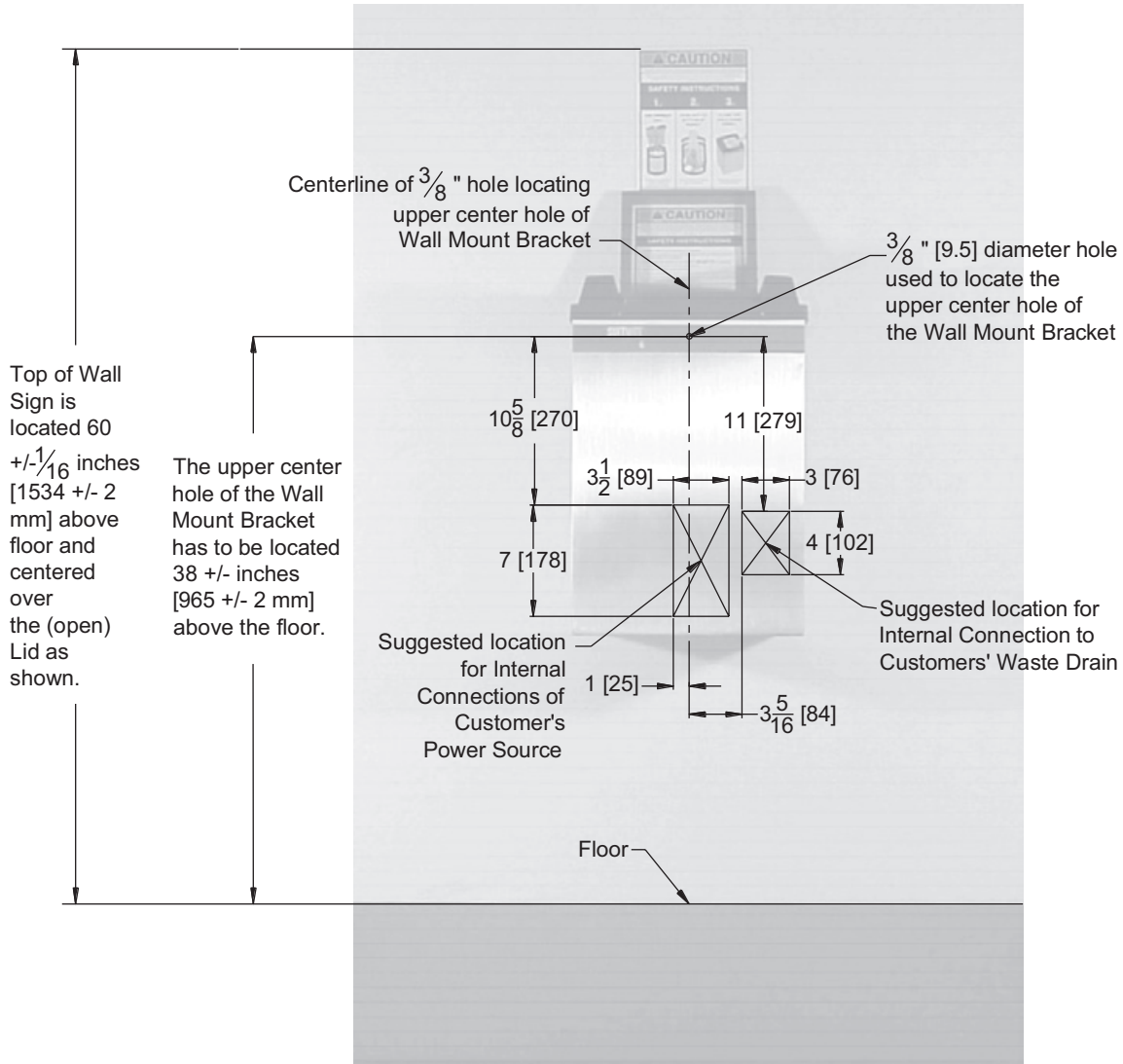
With proper installation, use, and maintenance your SUITMATE® Swimsuit Water Extractor will provide you with years of trouble-free service.

UTILITIES LOCATION DIAGRAM

230-V 13-Amp 50-Hz Self-Timed Unit

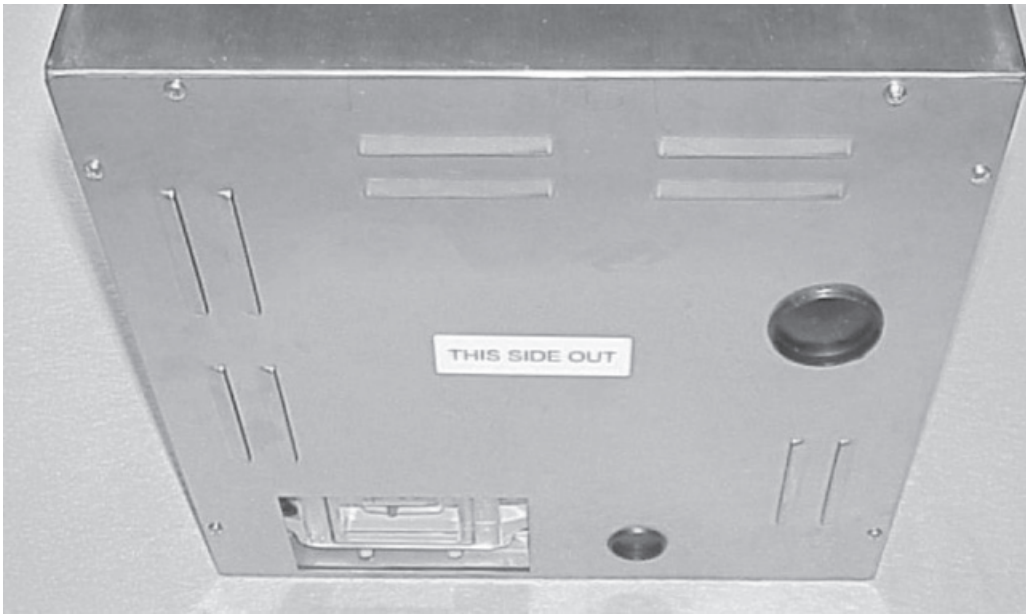
WARNING!

This diagram is for reference only! It is not to be used as the sole reference for installation of the SUITMATE® unit. The installation instructions beginning on page 3 must be followed explicitly!



- 1) On wall locate center of $3/8$ " (9.5mm) hole for the upper center hole of the Wall Mount Bracket.
- 2) Draw a vertical line (down) from this mark to indicate the center of the lower mounting channel of the SUITMATE® unit.
- 3) Use given measurements to locate either or both locations for placement of internal utilities.
- 4) After the SUITMATE® unit is hooked over the upper bracket, move it side to side so the center hole in the bottom channel is over the vertical line drawn in Step 2.

EXAMPLES OF INSTALLED SUITMATE®

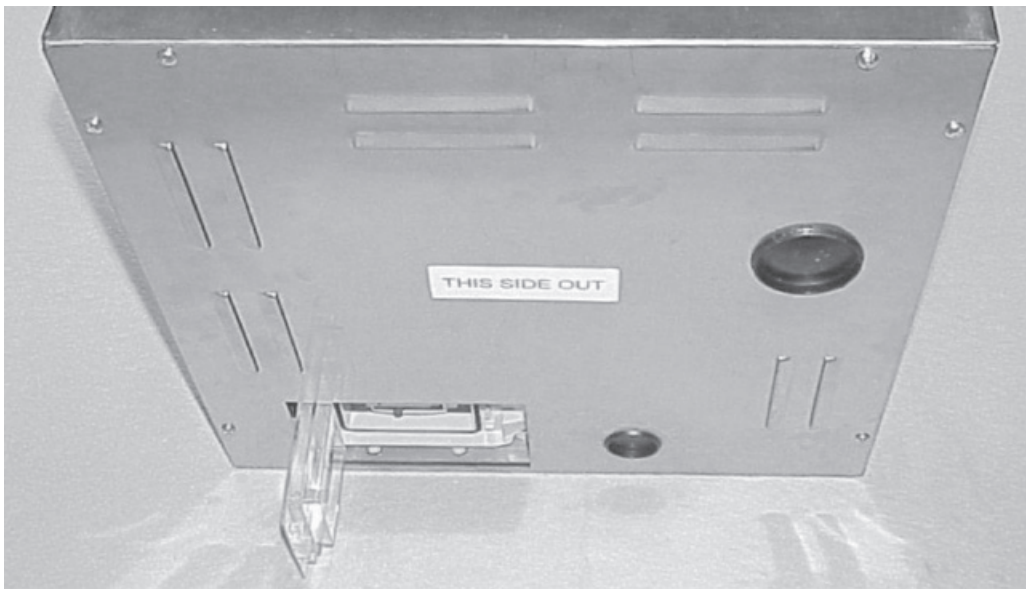


View showing Bottom Plate installed,

Note position of RCD Box opening and the two Plugs.

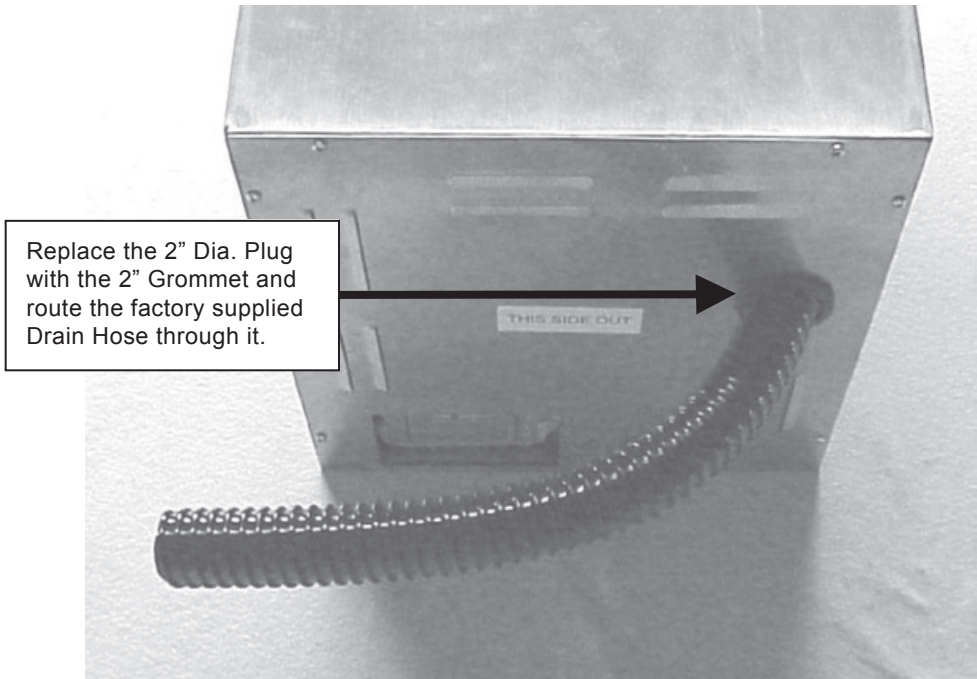
The louvers are facing down and the Label reads "This Side Out."

If internal utilities are installed, this should represent the finished installation.

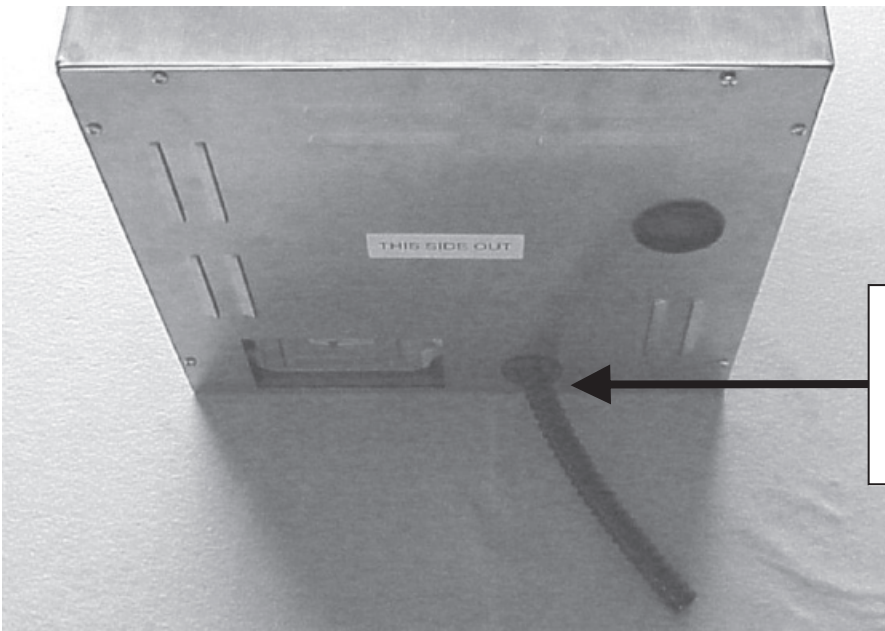


View showing Bottom Plate installed,

Note position of RCD Box opening and the RCD box cover open allowing access to the test and reset buttons.

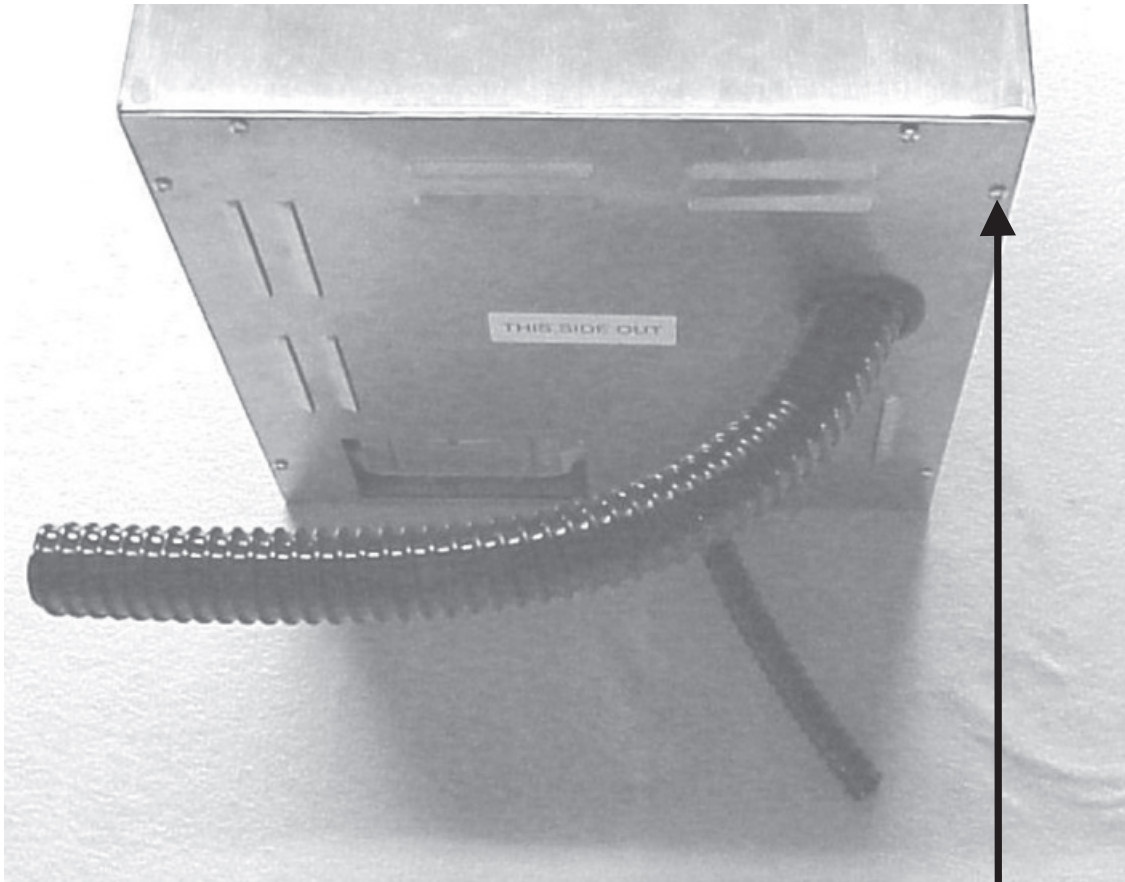


View showing external plumbing and internal electric connections.



View showing external electric and internal plumbing connections.

View showing external electric and external plumbing connections.



Remove and replace the (2) Plugs with the appropriate Grommets and route the cable or electrical conduit and the factory supplied Drain Hose through their appropriate Grommets prior to fastening the Bottom Plate.

Bottom Plate is fastened using (6) AEC1147 screws and (6) AEC1704 lock washers removed at start of installation.

MAINTENANCE SIGN OFF LOG

Weekly

Physical Inspection

Date	Performed By.	Date	Performed By.	Date	Performed By.	Date	Performed By.	Date	Performed By.

Hygienic Cleaning

Date	Performed By.	Date	Performed By.	Date	Performed By.	Date	Performed By.	Date	Performed By.

Flushing

Date	Performed By.	Date	Performed By.	Date	Performed By.	Date	Performed By.	Date	Performed By.

Monthly

Case and Top Care

Date	Performed By.	Date	Performed By.	Date	Performed By.	Date	Performed By.	Date	Performed By.

Testing the RCD

Date	Performed By.	Date	Performed By.	Date	Performed By.	Date	Performed By.	Date	Performed By.

Reproduce and post copies of this page as required.

MAINTENANCE INSTRUCTIONS

230-V 13-Amp 50-Hz Self-Timed Unit

These recommendations are designed to keep your SUITMATE® unit clean and operating properly. Extractor Corporation recommends that these procedures be followed at the suggested frequencies.

TWICE DAILY

1) Hygienic Wipes

Use a disinfectant wipe, such as the PDI Sani-cloth® or Clorox® Disinfecting Wipes to wipe down the inside of the Basket, the Black Plastic Top, the Lid, and the sides of the unit.

DAILY

1) Inspection

- a. Open the Lid, pull the Basket to the side and with a flashlight, check for trapped debris such as straps, strings, bathing caps, etc. inside of the unit. If foreign objects and/or debris are found, remove them with a long hook or other implement.
- b. Should the Basket “flop” to one side during this inspection, you may have a broken shock mount in which you can contact Extractor Corporation at (Fax) 1-847-742-3552, or (Email) info@suitmate.com.
- c. Press down on the Lid and run the machine to ensure that it is operating properly. When you lift the Lid, the Basket should stop spinning within one (1) second.

2) Hygienic Cleaning

- a. Mix a bleach-based disinfecting concentrate at the manufacturer’s recommended strength in a ½ gallon bucket of water.
- b. Clean the inside of the unit by spinning a small soft towel soaked in the cleaner. Repeat this step 3 times.
- c. The spun towel can then be used to wipe down the Basket, the Black Plastic Top, the Lid, and the sides of the unit.
- d. Re-wipe the surfaces (Basket, Black Plastic Top, Lid, and the exterior of the unit) with a fresh towel and clean water.

WARNING!

*Never use flammable solvents in or on the SUITMATE® unit.
When cleaning around the unit, be careful not to allow water to splash up under the unit as this may damage the motor.*

3) Flushing

- a. If your unit uses a drain house or a P-trap, disconnect it from the unit’s drain tailpiece and inspect it for any obstructions.
- b. With the drain hose or P-trap removed, place an empty bucket (1-2 gallons) under the tailpiece to catch the discharge from the flush.
- c. Mix a disinfecting cleaner by referring back to steps A and B under Hygienic Cleaning.
- d. SLOWLY pour the cleaner into the top opening of the unit. If the unit’s drainage channels are open, the full amount of cleaner solution poured into the unit should flow into the bucket below within a few seconds. Check the discharge water for signs of debris.
- e. Repeat step D using clean water until a free flow of water is established and the discharge water is clear of debris.

- f. If you cannot establish a free flow of water or the discharge water is spilling out from under the unit, the tailpiece is plugged or the drain channels are blocked. Locate the blockage by referring back to step A under Inspection. After removing the blockage, repeat steps C through E.
- g. Reinstall the drain hose or P-trap.

MONTHLY

1) Case and Top care

- a. Wipe down the Black Plastic Top with Armor All® or its equivalent.
- b. Clean and polish the stainless steel Case with Liquid Gold® or its equivalent. If flash rust or stains are present, use a Scotch Brite® pad or medium grade steel wool to remove them. Take care to rub stains out by going with the grain of the case (up and down – not sideways). Follow stain removal by polishing the Case with Liquid Gold® or its equivalent.

2) Testing the RCD

Test the RCD and record the results. The “TEST” and “RESET” buttons are on the face of the RCD under the flip cover of the RCD weatherproof Junction Box in the rear of the unit.

Note: *If the unit does not operate, check the TROUBLESHOOTING section in this manual. If you have any questions or problems, please contact the factory for recommendations at (Fax) 1-847-742-3552, or (Email) info@suitmate.com*

TROUBLESHOOTING

230-V 13-Amp 50-Hz Self-Timed Unit

If you are having problems with your SUITMATE® unit please read through the numbered questions below to see if the condition you are experiencing is described and answered. If you still have difficulty, please contact the factory for recommendations at: (Fax) 847-742-3552, or (Email) info@suitmate.com.

1) Is the unit dead? No sound, hum, etc., when the Lid is held down?

NO. Go to question 2.

YES. Is there power to the unit?

YES. Go to question 1.A.

NO. To make certain there is no power to the unit, use an A.C. voltmeter set to the appropriate range and measure across the "LINE" side of the RCD.

1.A. Is the RCD tripped out?

YES. Reset the RCD by pressing the red button.

NO. Go to question 1.B.

1.B. Is the Micro Switch working?

Test the Micro Switch by slowly depressing the Lid and listening for a faint click.

YES. If you hear a click then the Micro Switch may be faulty. Check the Micro Switch by using an A.C. voltmeter to make certain that power is getting to the motor.

NO. If you do not hear a click then the Micro Switch may be out of adjustment. Consult the SUITMATE® MICROSWITCH ADJUSTMENT PROCEDURE in this manual.

2) Does the unit hum, but not operate, when the Lid is held down?

NO. Go to question 3.

YES. Does the basket spin freely? Test by depressing the Brake Rods manually and trying to spin the basket.

YES. There may be a problem with the motor.

NO. Something may be obstructing the Basket. Pull the Basket to the side and, with a flashlight, look for an obstruction. Remove the obstruction.

3) Does the unit Leak?

NO. Go to question 4.

YES. There is probably an obstruction, of the Drain Hose or drain channel. Remove the Drain Hose and make certain it is not plugged. The drain channel is a two-inch U channel that runs around the perimeter of the interior of the unit. Check for an obstruction by pulling the Basket aside and, with a flashlight, look for something blocking the drain channel or hose. If foreign objects or debris are found, remove them with a coat hanger or other implement.

4) Does the unit operate intermittently?

NO. Go to question 5.

YES. Does the basket spin freely? Test by depressing the Brake Rods manually and trying to spin the Basket.

YES. The Motor Thermal Breaker may be faulty.

NO. There may be a partial obstruction of the Basket causing the Motor to overheat and the Motor Thermal Breaker to kick out. Check for an obstruction by pulling the Basket aside and, with a flashlight, look for something obstructing the basket. If foreign objects or debris are found, remove them with a coat hanger or other implement.

5) Does the RCD keep tripping out?

NO. Go to question 6.

YES. Is the unit connected to a 230-V 13-Amp 50-Hz dedicated circuit?

NO. Provide a 230-V 13-Amp 50-Hz dedicated circuit.

YES. The RCD may be faulty. Check the RCD with a A.C. voltmeter set to the appropriate range, or by bypassing the RCD. If the unit does not kick out the main dedicated circuit breaker when bypassing the RCD, the RCD is probably faulty and should be replaced.

6) Does the unit make excessive noise?

YES. The patrons may not be operating the unit properly. Test by putting a swimsuit in the Basket and pushing it all the way down, making certain that it is evenly distributed in the bottom. Operate the unit.

NO. If these questions have not led to a satisfactory answer to the problem with the SUITMATE® unit, please contact the Extractor Corporation at: (Fax) 847-742-3552, or (Email) info@suitmate.com.

MECHANICAL ASSEMBLIES

230-V 13-Amp 50-Hz Self-Timed Unit

Note: Always turn off the power at the circuit breaker – place a lockout tag on the circuit breaker panel indicating that the breaker is not to be turned on except by authorized personnel – and disconnect the electrical connections before doing any work on the SUITMATE® unit. Simply turning off a switch is NOT enough. Use only proper tools, test equipment, and work practices when servicing the SUITMATE® unit.

If there are questions concerning proper tools, equipment or practices, please call the factory for recommendations at: (Fax) 847-742-3552 or (Email) info@suitmate.com.

Due to critical tolerances, use only specified replacement parts. (See the individual sections in this manual.)

Some disassembly and assembly procedures have not been included, as the procedures seem to be self-evident.

REMOVE SUITMATE® UNIT FROM THE WALL MOUNT BRACKET

Do This FIRST prior to performing any electrical or mechanical maintenance.

- Turn off the main electrical power to the unit – place a lockout tag on the circuit breaker panel indicating that the breaker is not to be turned on except by authorized personnel – and disconnect the unit before doing any work on the SUITMATE® unit. Simply turning off a switch is NOT enough.

Remove the Bottom Plate that is attached with six screws. Save the Bottom Plate and the six mounting screws as they will be required to reinstall the Bottom Plate. If electrical or plumbing connections were routed through the Bottom Plate, it will be necessary to disconnect them at their source prior to removing the Bottom Plate and follow the instructions below to remove the Bottom Plate.

- Consult the individual sections in this manual to determine the exact parts and fasteners that will be required for installation of mechanical components.

CAUTION!

Make certain the main electrical power to the unit is turned off – and locked out – before beginning work on the SUITMATE® unit.

EXTERNAL ELECTRICAL SERVICE

If the unit's electrical service is coming into the unit from outside the unit, it will be necessary to disconnect the incoming electrical service from the power source. Prior to disconnecting the electrical service make certain that the power source is turned off and locked out! Disconnect the incoming liquid tight raceway or cable from the power source. Remove and retain the six screws and lock washers holding the Bottom Plate as they will be required for reinstallation of the Bottom Plate. If the unit has an internal plumbing hookup, work the Bottom Plate down and work the liquid tight raceway through the small grommet in the bottom plate. If the unit uses an external plumbing hookup, proceed to the following instructions prior to removing the Bottom Plate from the unit.

EXTERNAL PLUMBING SERVICE

If the unit's plumbing service uses the factory supplied Drain Hose or is connected from outside the unit, it will be necessary to disconnect the drain hose or piping from its external hookup. Carefully work the Drain Hose or piping through the Large Grommet in the Bottom Plate. Run the Drain Hose or piping through the grommet. If the unit has internal electrical service, work the Bottom Plate down from the bottom of the unit making certain that there are no kinks in the Drain Hose or piping. If the unit has external electrical service, work the Bottom Plate down from the bottom of the unit making certain that neither the Drain Hose or piping nor the liquid tight raceway or cable have any kinks in them.

INTERNAL ELECTRICAL AND PLUMBING SERVICE

If the SUITMATE® unit was installed with internally connected plumbing and electrical connections:

- 1) Remove and retain the six screws and lock washers holding the Bottom Plate as they will be required for reinstallation of the Bottom Plate.
- 2) Remove the cover of the weatherproof Junction Box that contains the RCD; remove the RCD; disconnect the external source ground wire from the green grounding bar and the power feed lines from the RCD terminals marked "Line." Leave the RCD fastened to the unit. Retain the weatherproof Junction Box Cover and plastic fasteners for reinstallation.
- 3) Disconnect the power feed liquid tight raceway or cable from the Junction Box and the internally connected drain hose.
- 4) Remove the lower fasteners anchoring the unit to the wall.
- 5) Remove the SUITMATE® unit from the Wall Mount Bracket by firmly grasping the sides of the Case bottom and gently lifting straight up until the unit clears the upper back lip of the Wall Mount Bracket. Take the SUITMATE® unit to a workbench.

REINSTALL THE SUITMATE® UNIT

CAUTION!

Make certain the main electrical power to the unit is turned off – and locked out – before beginning work on the SUITMATE® unit.

If both the electrical and plumbing connections were made internally return the SUITMATE® unit to its proper location and reconnect the utilities by reversing the above procedure. The Bottom Plate is labeled "This Side Out" and "This Side In." It is important that the Bottom Plate be reinstalled in accordance with these labels.

Note: Make certain the unit is level. If it is not level, remove the unit, adjust the Wall Mount Bracket and re-hang the unit. A level installation is necessary to minimize vibration and insure proper drainage of wastewater.

If the electrical wiring and/or plumbing connections are made from outside the unit, follow the instructions below to install the Bottom Plate.

EXTERNAL ELECTRICAL SERVICE

The Bottom Plate is labeled "This Side Out" and "This Side In." It is important that the Bottom Plate be reinstalled in accordance with these labels. Be certain that the large rectangular opening in the Bottom Plate leaves access to the RCD cover. Route the liquid tight raceway or cable through the grommet. If the unit has an internal plumbing hookup, work the Bottom Plate up to the bottom of the unit making certain that there are no kinks in the liquid tight raceway and that the grommet is secure in the Bottom Plate.

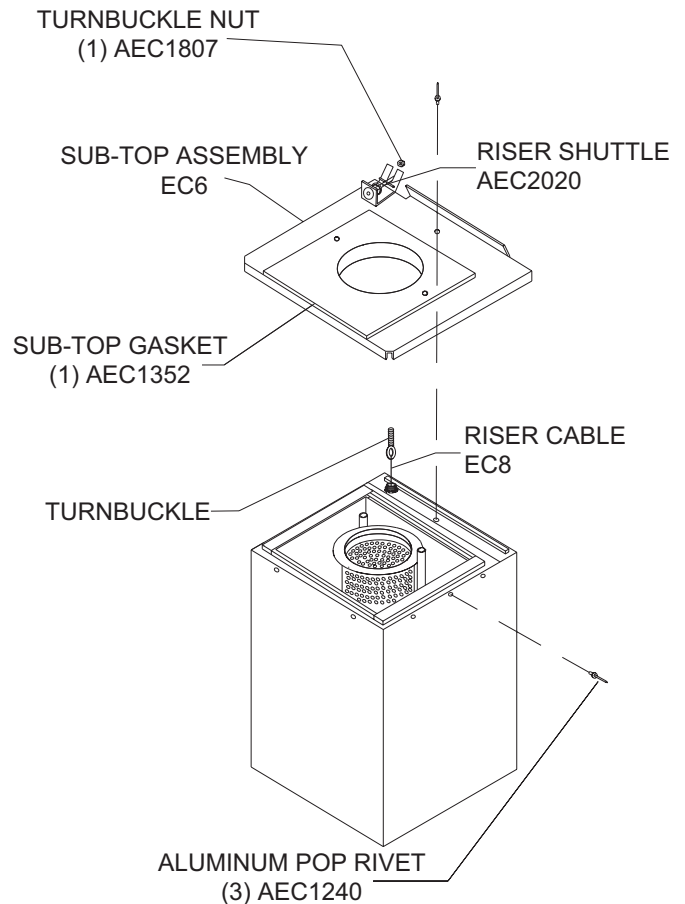
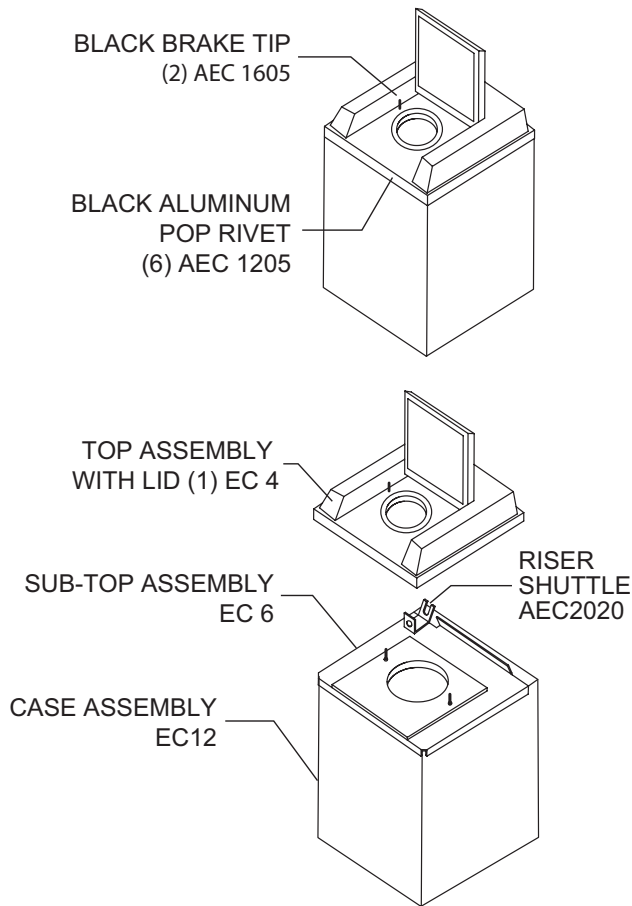
If the unit uses an external plumbing hookup, proceed to the following instructions prior to fastening the Bottom Plate to the unit. Otherwise fasten the Bottom Plate to the unit with the six screws and lock washers removed and retained from the beginning of this procedure. Properly reconnect the incoming power at its source. Remove the "Locked Out" warning from the source, and turn the power on. Retest the unit for proper operation.

EXTERNAL PLUMBING SERVICE

The Bottom Plate is labeled "This Side Out" and "This Side In." It is important that the Bottom Plate be reinstalled in accordance with these labels. Run the Drain Hose or piping through the grommet. If the unit has internal electrical service, work the Bottom Plate up to the bottom of the unit making certain that there are no kinks in the Drain Hose or piping and fasten the Bottom Plate with the six screws and lock washers removed and retained from the beginning of the installation.

If the unit has external electrical service, work the Bottom Plate up to the bottom of the unit making certain that neither the Drain Hose or piping nor the liquid tight raceway or cable have any kinks in them. Fasten the Bottom Plate to the unit using the six screws and lock washers removed and retained from the beginning of this procedure. Reconnect the Drain Hose or piping to its external hookup. Also, if necessary reconnect the electrical service at its source, making certain that the power source is turned off and locked out prior to reconnecting any wires to the unit. Retest the unit.

REMOVE THE TOP AND SUB-TOP ASSEMBLIES



Do This FIRST

Make certain you have all the correct parts and fasteners necessary for correct installation. Re-use any components that are not damaged, otherwise replace them. Parts used in this process: (6) AEC1205 Black Aluminum Pop Rivets, (2) AEC1605 Black Rubber Brake Tips, (3) AEC1240 Aluminum Pop Rivets that are required to reinstall the Sub-Top.

REMOVE TOP ASSEMBLY

- 1) Remove the SUITMATE® unit from the Wall Mount Bracket following the instructions beginning on Page 18.
- 2) Place the SUITMATE® unit in an upright position.
- 3) Lift the Lid. Remove the Black Rubber Brake Tips from the (2) Brake Rods. If damaged, they must be replaced.
- 4) Remove the (6) rivets from around the outer edge of the Black Plastic Top.
 - a. Punch out the center of each rivet with a small drift punch.
 - b. Drill out each rivet.

Note: Make certain the drill bit does not reach a depth of more than ½-inch (13mm) to avoid damaging the Black Plastic Liner.
 - c. Chisel off the rivet heads. Make certain the rivets are completely removed.
- 5) Separate the Black Plastic Top from the unit. Remove the Top by grasping the sides and lifting straight up while the lid is in the upright position.
- 6) Be careful not to bump the Riser Cable Assembly on the Sub-Top Assembly. Set the Top aside for reassembly.

REMOVE SUB-TOP ASSEMBLY

- 1) Remove the Nut from the Turnbuckle that is attached to the Riser Cable. Set the Nut aside for reassembly.
- 2) Pull the Riser Cable with Turnbuckle down through the hole in the Riser Shuttle.
- 3) Remove the (2) rivets from around the outer edge of the Sub-Top and the (1) rivet from the top.
 - a. Punch out the center of each rivet with a small drift punch.
 - b. Drill out each rivet.
***Note:** Make certain the drill bit does not reach a depth of more than ½-inch to avoid damaging the plastic liner.*
 - c. Chisel off the rivet heads. Make certain the rivets are completely removed.
- 4) Separate the Sub-Top from the SUITMATE® unit. Remove the Sub-Top by grasping the sides and lifting straight up.
- 5) Remove rivet debris and any other foreign objects from the liner.

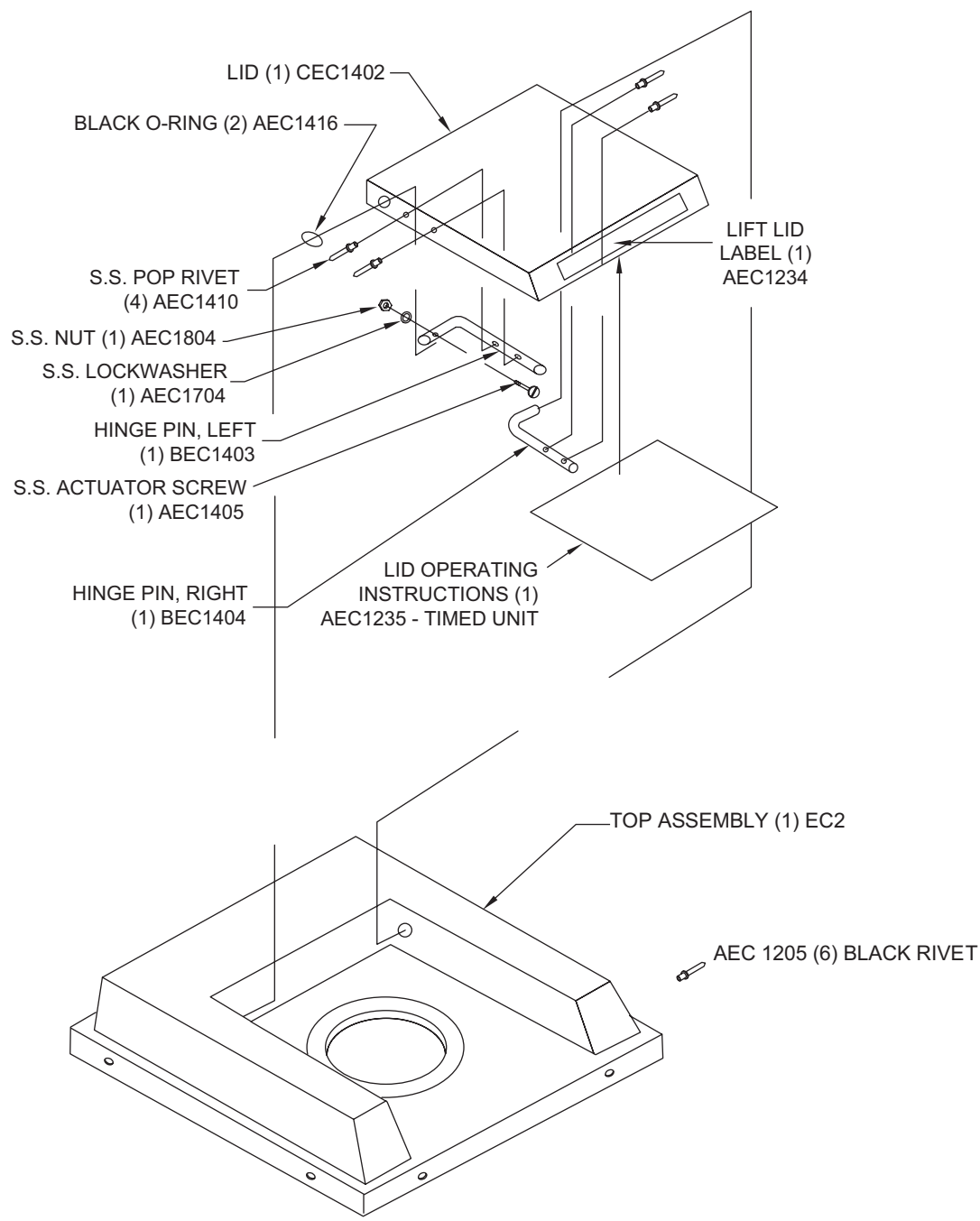
REPLACE SUB-TOP ASSEMBLY

- 1) Place the SUITMATE® unit in an upright position.
- 2) Locate the (2) Brake Rod holes in the Sub-Top gasket and align them with the Brake Rods.
- 3) Push the Sub-Top down over the Brake Rods.
- 4) Push the Riser Cable Turnbuckle up and through the hole in the Riser Shuttle.
- 5) Reattach the Nut (removed in step 1 above) to the Turnbuckle that is attached to the Riser Cable.
- 6) Align the (3) holes in the Sub-Top (one on each side and one on the top) with the respective holes in the Case.
***Note:** Make sure that the lip of the Sub-Top is outside the Case.*
- 7) Pop rivet the Sub-Top to the Case.

REPLACE TOP ASSEMBLY

- 1) Place the SUITMATE® unit in an upright position.
- 2) Lift the Lid on the Top Assembly and locate the (2) Brake Rod holes in the Top and align them with the Brake Rods. Push the Top down over the Brake Rods.
- 3) Align the (6) holes in the lower edge of the Top with the corresponding (6) holes in the Case.
- 4) Fasten the Top to the Case with (6) Pop Rivets.
- 5) Replace the (2) Black Rubber Brake Tips.
- 6) Reattach the SUITMATE® unit to the Wall Mount Bracket. See instructions beginning on Page 19.
- 7) Retest the SUITMATE® unit for proper operation, refer to TESTING AND OPERATION on page 7.

***Note:** Check the Micro Switch alignment by following the MICRO SWITCH ADJUSTMENT PROCEDURE section (Page 59) in this manual.*



REMOVE LID FROM BLACK PLASTIC TOP

Do This FIRST

Make certain you have all the correct parts and fasteners necessary for correct installation. Re-use any components that are not damaged, otherwise replace them. Parts used in this process: (2) AEC1410 S.S. Pop Rivets, (2) AEC1416 Black O-Rings, (1) AEC1704 S.S. Lock Washer, (1) BEC1403 Hinge Pin, Left, (1) AEC1405 Actuator Screw, (1) BEC1404 Hinge Pin, Right, and (1) AEC 1804 S.S. Nut. Plus any components required to reinstall the Sub Top and Top Assemblies (Page 21).

REMOVE LID

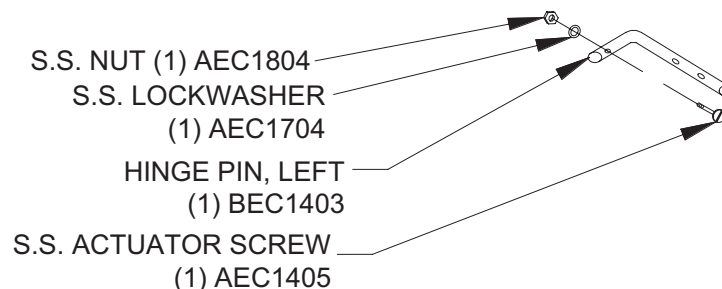
- 1) Remove SUITMATE® unit from the Wall Mount Bracket. See instructions beginning on Page 18.
- 2) Remove Top and Sub-Top Assemblies. See instructions beginning on Page 20.
- 3) Place the Top Assembly upside down.
- 4) Remove the Nut and Lock Washer from the Actuator Screw.
- 5) Unscrew the Actuator Screw from the Left Hinge Pin.
- 6) Remove the (2) rivets from the outer edge of the S.S. Lid that holds the Left Hinge Pin.
 - a. Punch out the center of each rivet with a small drift pin.
 - b. Drill out each rivet.
 - c. Chisel off the rivet heads. Make certain the rivets are completely removed.
- 7) Remove the hinge pin through the metal Lid. Set the Left Hinge Pin aside for reassembly later.
- 8) Remove the Lid from the Top Assembly.

Note: A rubber O-ring is located on each hinge between the metal Lid and the plastic Top.

REPLACE LID

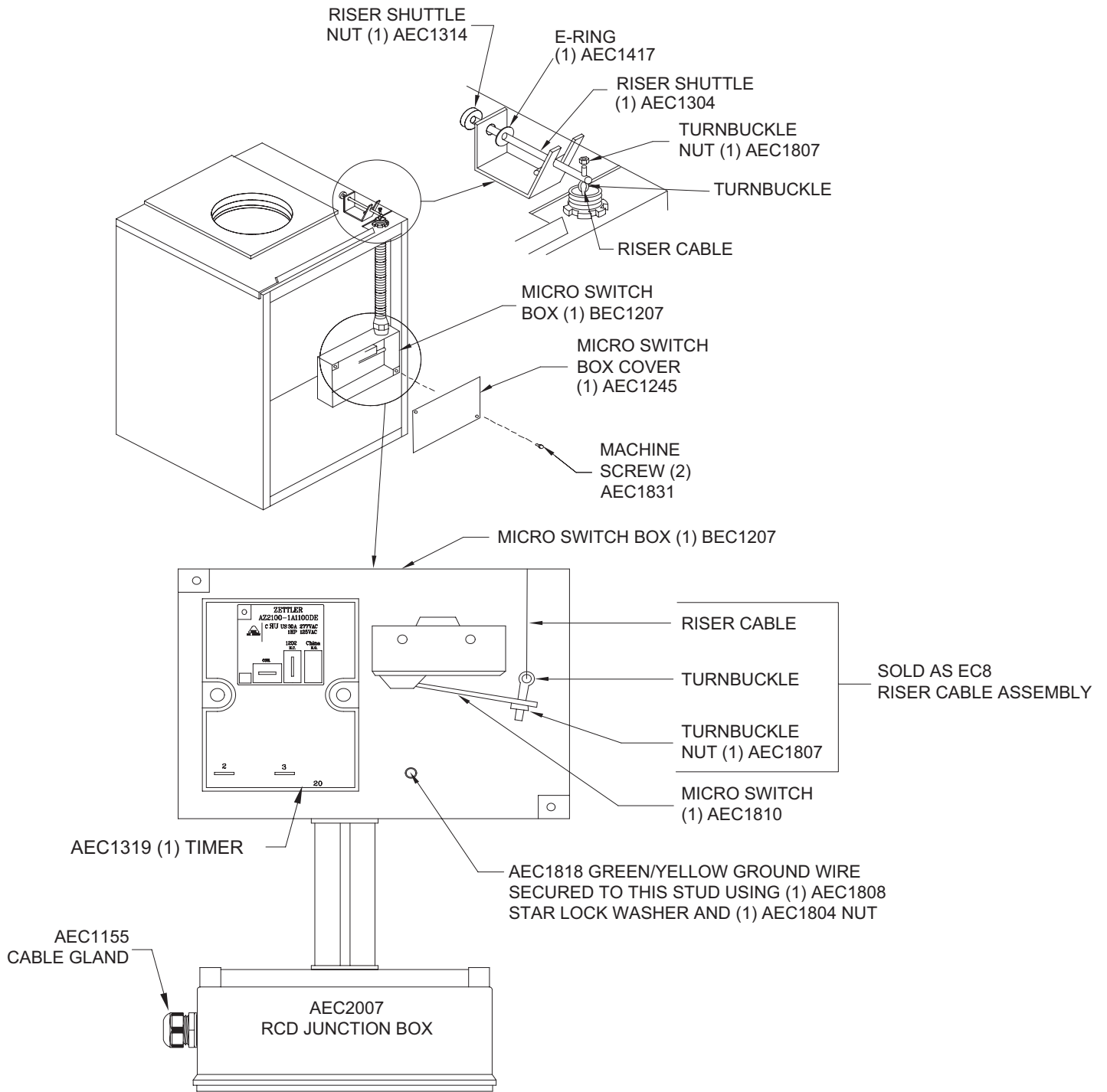
- 1) Insert the Right Hinge Pin into the Top and then insert the Left Hinge Pin through the Lid and into the Top.

Note: Make certain that you have reinstalled the Rubber O-Ring on both hinge pins.
- 2) Rivet the Left Hinge Pin to the Lid.
- 3) Screw in the new Actuator Screw and fasten with Lock Washer and Nut. (See illustration.)



Note: Make certain that with the lid open, the Actuator Screw does not touch the inside of the black plastic top.

- 4) Reinstall the Sub-Top and Top assemblies. See instructions beginning on Page 21.
- 5) Reattach the SUITMATE® unit to the Wall Mount Bracket. See instructions beginning on Page 19.
- 6) Retest the SUITMATE® unit for proper operation, refer to TESTING AND OPERATION on page 7.



REMOVE RISER CABLE ASSEMBLY

Do this FIRST

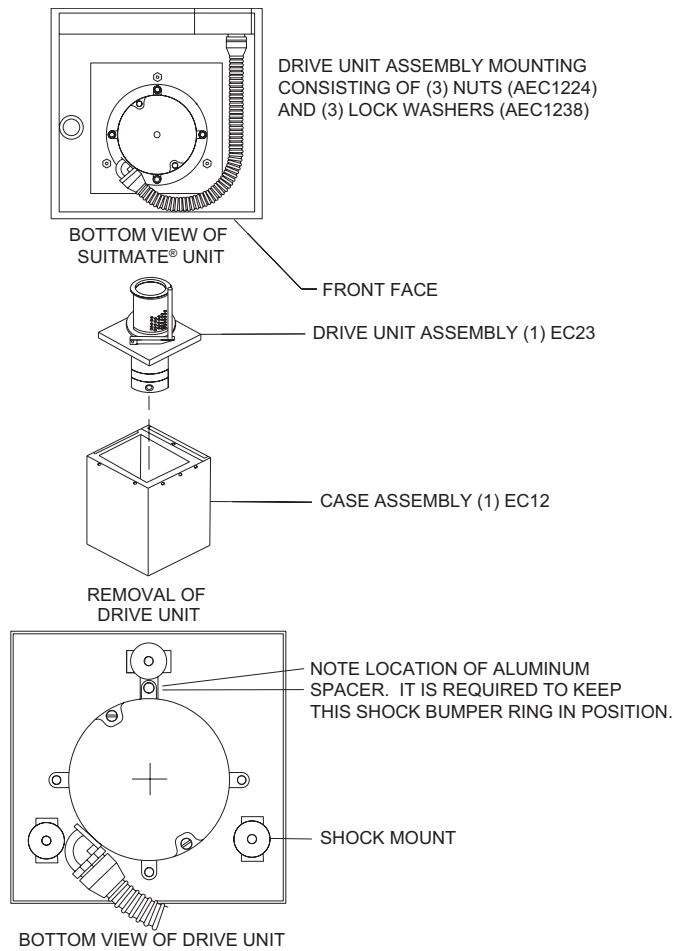
Make certain you have all the correct parts and fasteners necessary for correct installation. Re-use any components that are not damaged, otherwise replace them. Parts used in this process: (2) AEC1807 Turnbuckle Nut, (1) EC8 Riser Cable Assembly, (2) AEC1831 Machine Screw, (1) AEC1245 Micro Switch Box Cover. Plus any components required to reinstall the Sub-Top and Top Assemblies (Page 20).

REMOVE RISER CABLE ASSEMBLY

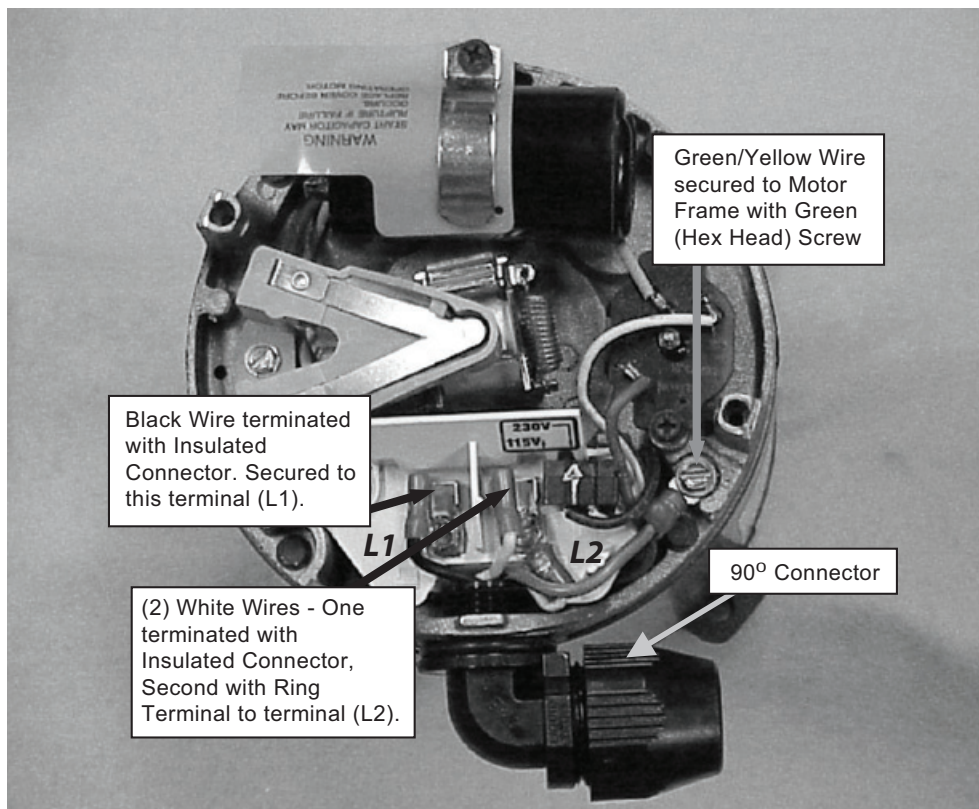
- 1) Remove SUITMATE® unit from the Wall Mount Bracket. See instructions beginning on Page 18.
- 2) Remove Top and Sub-Top Assemblies. See instructions beginning on Page 20.
- 3) Place the SUITMATE® unit in an upright position with the back of the unit facing out.
- 4) Remove the Micro Switch Box Cover. The cover is held on with (2) Machine Screws. Remove the cover and screws and set aside for reassembly.
- 5) Remove the Turnbuckle Nut from the Turnbuckle.
- 6) Pull the Turnbuckle up and out of the hole in the Micro Switch arm.
- 7) Remove the Riser Cable by pulling it up through the conduit connector at the top of the unit.

REPLACE RISER CABLE ASSEMBLY

- 1) Reinstall Sub-Top Assembly after cleaning out any debris before starting with the Riser Cable replacement.
- 2) Drop the new Riser Cable (with Turnbuckle) down through the conduit to the Micro Switch.
- 3) Insert the Turnbuckle through the hole in the Micro Switch arm. Replace the Nut (saved from step 5 above) on the Turnbuckle.
- 4) Insert the Turnbuckle on the new Riser Cable through the hole in the Riser Shuttle. Replace the Turnbuckle Nut.
- 5) Replace Top Assembly. See instructions beginning on Page 21.
- 6) Push the Lid down. The Micro Switch should NOT activate (click) until the Lid is approximately ¼-inch from being totally depressed. Adjust the alignment by tightening (clockwise – will activate unit sooner) or loosening (counter-clockwise – will activate unit later) the Turnbuckle Nut on the bottom of the Riser Cable until the proper adjustment is obtained. Do not bend the Micro Switch arm. For additional information refer to the MICRO SWITCH ADJUSTMENT PROCEDURE (on Page 59) section in this manual.
- 7) Provide power to the unit to make certain it is functioning properly, test it.
- 8) Disconnect power to the unit.
- 9) Replace the Micro Switch Box Cover securing it with the (2) Machine Screws removed in step 4 above.
- 10) Reattach the SUITMATE® unit to the Wall Mount Bracket. See instructions beginning on Page 19.
- 11) Retest the SUITMATE® unit for proper operation, refer to TESTING AND OPERATION on Page 7.



Photograph shows the Correct Position of Wires for Rewiring the Motor



REMOVE DRIVE UNIT ASSEMBLY FROM CASE

Do this FIRST

Make certain you have all the correct parts and fasteners necessary for correct installation. Re-use any components that are not damaged, otherwise replace them. Parts used in this process: (3) AEC1224 Nuts, (3) AEC1238 Lock Washers, (2) AEC1819 Flange Fork Connectors, (2) AEC1830 Insulated Connectors, (1) AEC1813 White Wire, (1) AEC1842 Black Wire, (1) AEC1841 White Wire, and (1) AEC1813 Green Wire. Plus any components required to correctly reinstall the Sub-Top and Top Assemblies (Page 21).

REMOVE DRIVE UNIT ASSEMBLY

- 1) Remove SUITMATE® unit from the Wall Mount Bracket. See instructions beginning on Page 18.
- 2) Remove Top and Sub-Top Assemblies. See instructions beginning on Page 20.
- 3) Place the SUITMATE® on its face to expose the bottom of the unit.
- 4) Unscrew the (2) captive screws that secure the Motor end cap from the bottom of the Motor.
- 5) Remove the end cap with captive screws and set it aside for reassembly.
- 6) Remove the Micro Switch Box Cover. The cover is held on with (2) Machine Screws. Remove cover and screws and set aside for reassembly.
7. Disconnect the (3) wires connecting the motor to the unit by disconnecting the wires from the L1 and L2 terminals on the Motor. Loosen the Green Grounding screw and disconnect the green/yellow ground wire.
- 8) Cut off the (3) wire connectors from the wires to allow the wires to be pulled through the 90° conduit connector.
- 9) Pull the wires through the 90° conduit connector by pulling them from the Micro Switch Box about 2 to 3 inches.
- 10) Remove the 90° conduit connector from the Motor by disconnecting the plastic cable conduit from the 90° conduit connector and unscrewing the 90° conduit connector from the Motor.
- 11) Return the SUITMATE® unit to its upright position.
- 12) Remove the three sets of Nuts and Lock Washers that hold the Drive Unit to the Case. Set them aside for reassembly.
- 13) From the top of the SUITMATE® unit, grasp the sides of the Basket. Remove the Drive Unit by lifting the Drive Unit up at a slight angle.

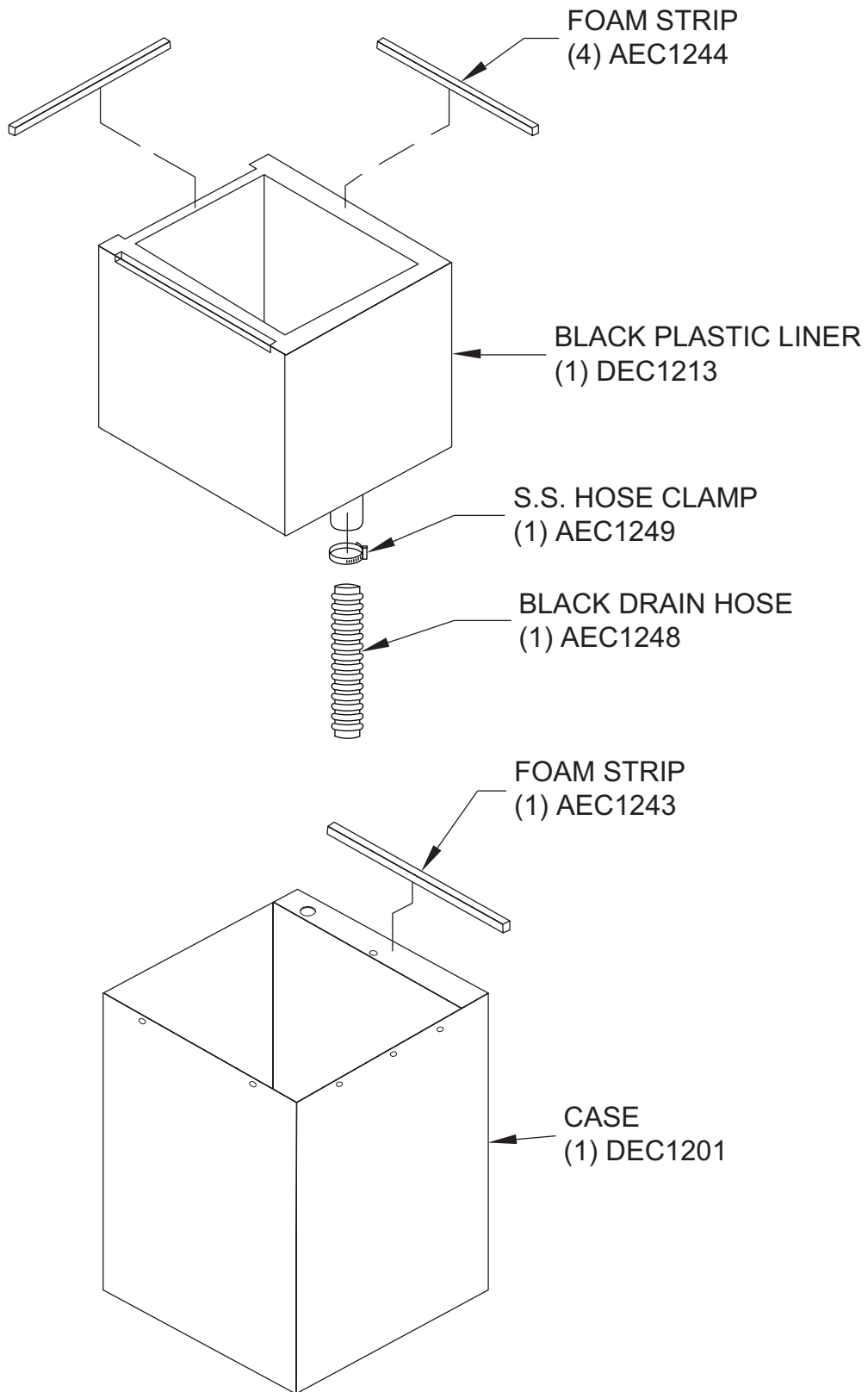
Note: *Be careful not to damage the Black Plastic Liner. If the Liner is damaged, it must be replaced.*

REPLACE DRIVE UNIT ASSEMBLY

- 1) Align the (3) Shock Mounts on the Drive Unit with the (3) holes in the Case and lower the Drive Unit into the Case making certain that the (3) Shock Mounts are in the appropriate holes in the Case, so that the 90° connector will be in the correct position. See the Bottom View diagram of the SUITMATE® unit on Page 26.

Note: *Be careful not to damage the Black Plastic Liner. If the Liner is damaged, it must be replaced.*

- 2) Replace the (3) sets of Nuts and Lock Washers on the Shock Mount threaded inserts that protrude through the Case.
- 3) Replace the 90° conduit connector by screwing it into the Motor.
Note: *Be careful not to cross thread the threads on the 90° conduit connector.*
- 4) Reconnect the plastic cable conduit to the 90° conduit connector.
- 5) Push the (3) wires from the Micro Switch Box up into the Motor.
- 6) Strip the (3) wires enough to install the NEW appropriate wire connectors on the wires.
- 7) Reattach the (3) wire connectors to the appropriate terminals in the Motor: Green / Yellow Wire to green screw, (2) White Wires to terminal L2 (one Flag and one Fork), and Black Wire to terminal L1.
- 8) Reinstall the Motor end cap with the (2) captive screws removed in step 5 above.
- 9) Reinstall the Sub-Top and Top Assemblies. See instructions beginning on Page 21.
- 10) Reattach the SUITMATE® unit to the Wall Mount Bracket. See instructions beginning on Page 19.
- 11) Retest the SUITMATE® unit for proper operation, refer to TESTING AND OPERATION on Page 7.



REMOVE / REPLACE BLACK PLASTIC LINER FROM CASE

Do this FIRST

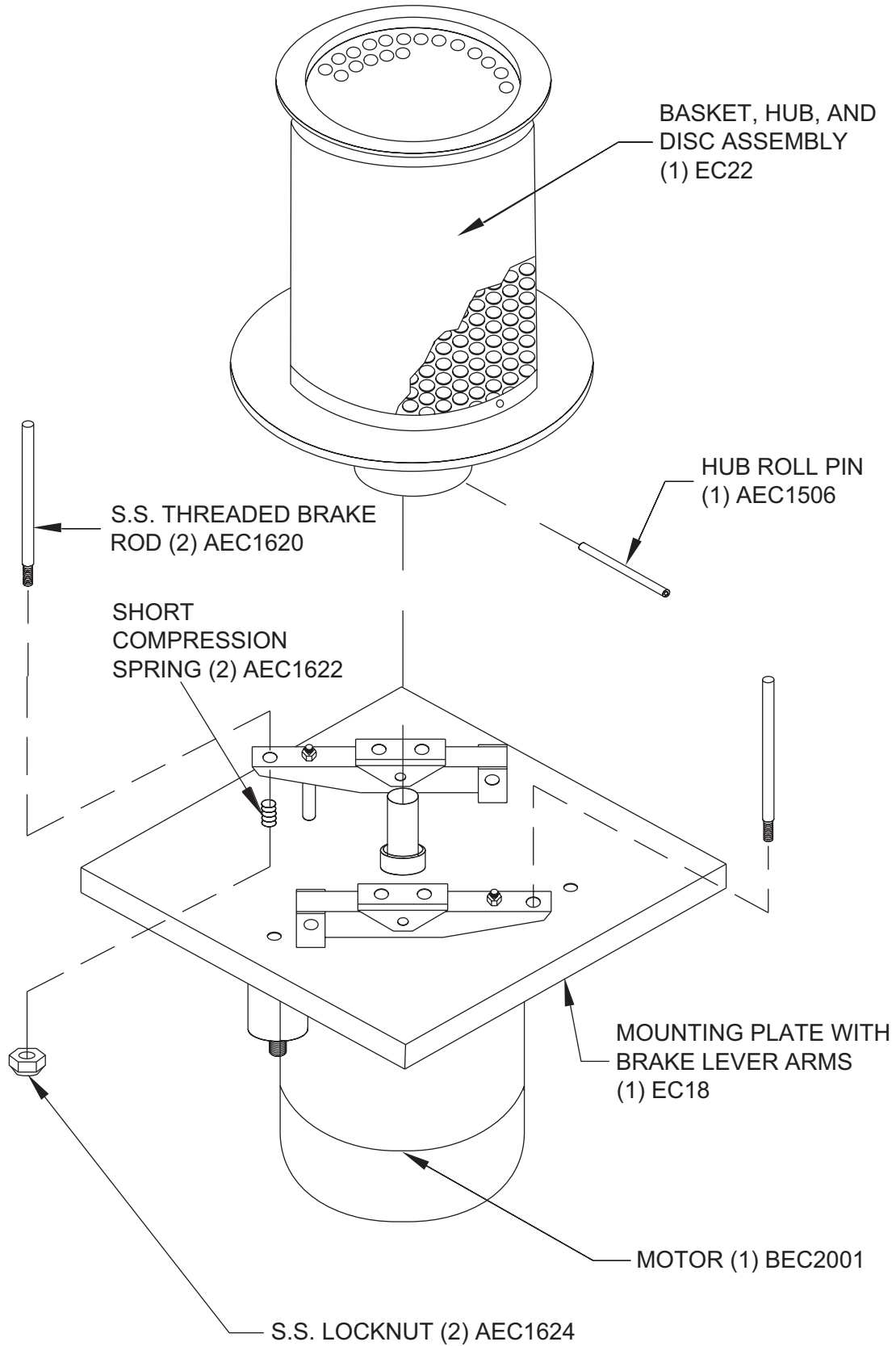
Make certain you have all the correct parts and fasteners necessary for correct installation. Re-use any components that are not damaged, otherwise replace them. Parts used in this process: (4) AEC1244 Foam Strips, (1) DEC1213 Black Plastic Liner, (1) AEC1249 S.S. Hose Clamp, (1) AEC1248 Black Drain Hose, and (1) AEC1243 Foam Strip. Plus any components required to properly reinstall the Drive Unit Assembly (Page 27) and the Sub-Top and Top Assemblies (Page 21).

REMOVE LINER

- 1) Remove SUITMATE® unit from the Wall Mount Bracket. See instructions beginning on Page 18.
- 2) Remove Top and Sub-Top Assemblies. See instructions beginning on Page 20.
- 3) Remove Drive Unit Assembly. See instructions beginning on Page 27.
- 4) Place the SUITMATE® unit on its face to expose the bottom of the unit.
- 5) If the factory supplied drain hose was used, unscrew the hose clamp that holds the plastic drain tube to the Liner drain hose outlet.
- 6) Remove the drain hose and set it aside for reassembly.
- 7) Place the SUITMATE® unit in an upright position.
- 8) From the top of the SUITMATE® unit, grasp the lip of the Black Plastic Liner and pull straight up. Be careful not to damage the Liner. If the Liner is damaged, it must be replaced.

REPLACE LINER

- 1) Place the Liner into the case using care not to damage it.
- 2) If the factory supplied drain hose was used, reinstall it using the hose clamp removed in step 5 above.
- 3) Reinstall the Drive Unit. See instructions beginning on Page 27.
- 4) Reinstall the Sub-Top and Top Assemblies. See instruction beginning on Page 21.
- 5) Reattach SUITMATE® unit to the Wall Mount Bracket. See instructions beginning on Page 19.
- 6) Retest the SUITMATE® unit proper operation, refer to TESTING AND OPERATION on Page 7.



REMOVE AND REPLACE BRAKE RODS, BASKET, HUB, AND BRAKE DISC ASSEMBLY

Do this FIRST

Make certain you have all the correct parts and fasteners necessary for correct installation. Re-use any components that are not damaged, otherwise replace them. Parts used in this process: (1) EC22 Basket and Brake Disc Assembly, (1) AEC1506 Hub Roll Pin, (2) AEC1620 S.S. Threaded Brake Rods, (2) AEC1622 Short Compression Springs, (2) AEC1624 S.S. Locknuts, and (1) BEC2001 Motor, 230 V 50 Hz. Plus any components required to properly reinstall the Drive Unit Assembly (Page 27) and the Sub-Top and Top Assemblies (Page 21).

REMOVE BRAKE RODS, BASKET, HUB, AND BRAKE DISC ASSEMBLY

- 1) Remove SUITMATE® unit from the Wall Mount Bracket. See instructions beginning on Page 18.
- 2) Remove Top and Sub-Top Assemblies. See instructions beginning on Page 20.
- 3) Remove Drive Unit Assembly. See instructions beginning on Page 27.

Note: *If Basket itself is damaged it must be replaced, please contact Extractor Corporation at: (Fax) 847-742-3552, or (Email) info@suitmate.com.*

- 4) Remove the Brake Rods from the Drive Unit Assembly by removing the locknut and spring on each Brake Rod. Set the Brake Rods, springs, and locknuts aside for reassembly. Inspect and replace the Short Compression Springs if any wear or deformation is observed.
- 5) Place a C-clamp over each Brake Lever Arm and under the Motor Mounting Plate. Tighten the C-clamps to allow free rotation of the Basket and Motor shaft.

Note: *Do not remove C-clamps!*

- 6) Rotate the Hub so that the hole for the Hub Roll Pin that holds the Hub to the Motor shaft can be clearly seen.
- 7) Use a hammer and a drift punch to remove the Hub Roll Pin that holds the Hub to the Motor shaft. A new Hub Roll Pin is required for reassembly (Part Number AEC1506).
- 8) Using a small pry bar or large screwdriver, pry up on the Hub to free it from the Motor shaft. Rotate the Hub so that even pressure is exerted evenly around the Hub and Motor shaft. Repeat until you can manually remove the Basket and Brake Disc Assembly from the Motor shaft. Be careful not to damage the Hub or the Motor Mounting Plate. If the Hub is “frozen” to the Motor shaft, please contact Extractor Corporation at: (Fax) 847-742-3552, or (Email) info@suitmate.com and explain your problem.

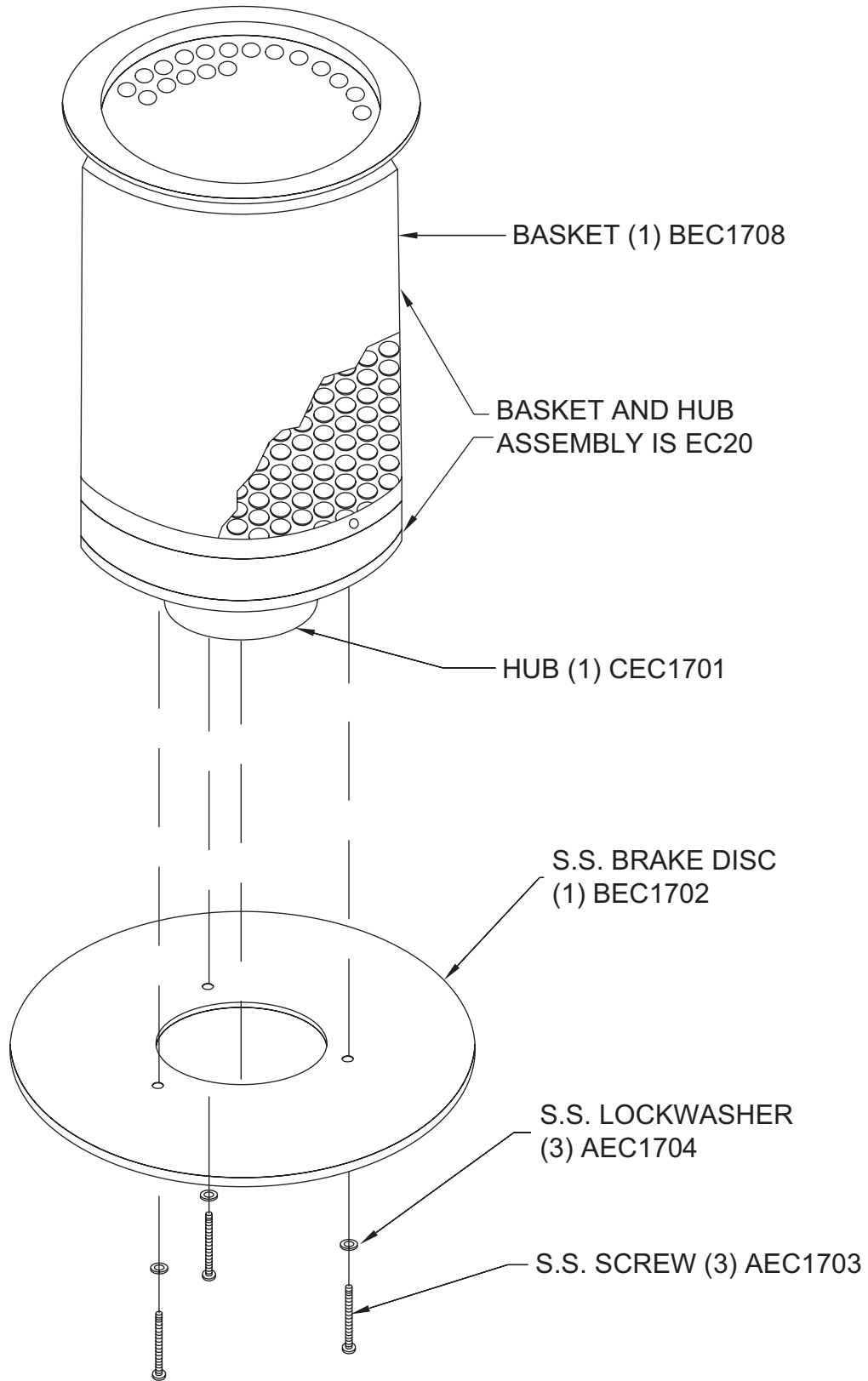
REPLACE BRAKE RODS, BASKET, HUB, AND BRAKE DISC ASSEMBLY

- 1) Push the Basket, Hub, and Brake Disc Assembly onto the Motor Shaft so that the hole in the Hub lines up with the hole in the Motor Shaft.

Note: *Apply a light coat of grease to the Motor shaft to facilitate assembly.*

Note: *It may be necessary to use a 2"x4" piece of wood to tap the Hub down onto the Motor shaft. Do not tap or pound on the basket.*

- 2) Use a 3/16" drive pin punch to test for the proper hole alignment of the Hub and the Motor Shaft.
- 3) Drive a NEW Hub Roll Pin (Part Number AEC1506) into the Hub and through the Motor Shaft so that the pin is flush with the Hub.
- 4) Remove the C-clamps.
- 5) Reinstall the Brake Rods onto the Drive Unit Assembly by installing the locknut and spring on each Brake Rod removed in step 4 above.
- 6) Reinstall Drive Unit Assembly. See instructions beginning on Page 27.
- 7) Reinstall Sub-Top and Top Assemblies. See instructions beginning on Page 21.
- 8) Reattach SUITMATE® unit to the Wall Mount Bracket. See instructions beginning on Page 19.
- 9) Retest the SUITMATE® unit for proper operation, refer to TESTING AND OPERATION on Page 7.



REMOVE / REPLACE BRAKE DISC AND BASKET

Do this FIRST

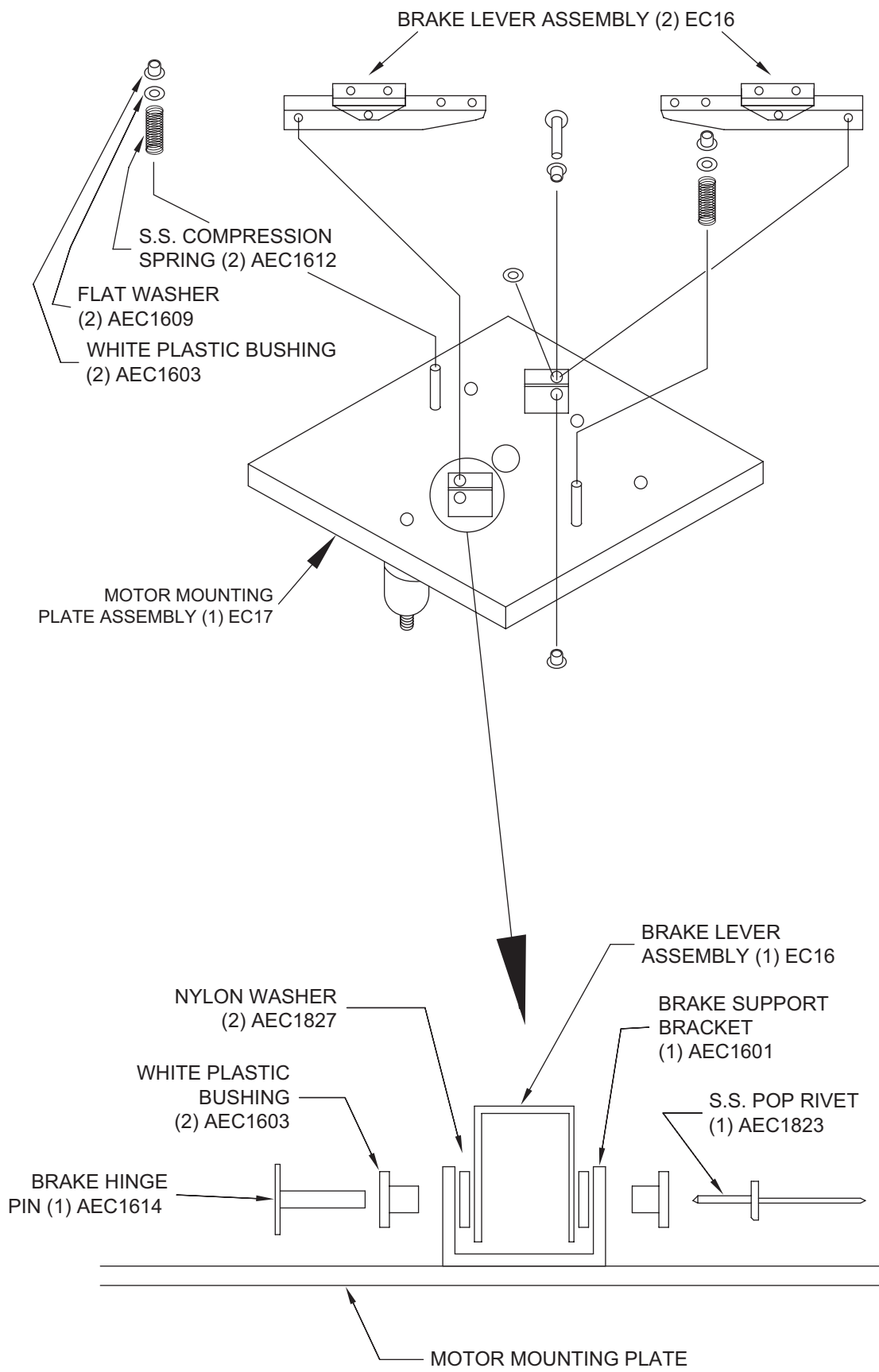
Make certain you have the correct parts and fasteners necessary for correct installation. Re-use any components that are not damaged, otherwise replace them. Parts used in this process: (1) EC20 Basket and Hub Assembly, (1) BEC1702 S.S. Brake Disc, (3) AEC1704 S.S. Lock washers, (3) AEC1703 S.S. Screws. Plus any components required to properly reinstall the Drive Unit Assembly (Page 27) and the Sub-Top and Top Assemblies (Page 21).

REMOVE BRAKE DISC AND BASKET

- 1) Remove SUITMATE® unit from the Wall Mount Bracket. See instructions beginning on Page 18.
- 2) Remove Top and Sub-Top Assemblies. See instructions beginning on Page 20.
- 3) Remove Drive Unit Assembly. See instructions beginning on Page 27.
- 4) Remove Brake Rods, Basket, Hub and Brake Disc Assembly. See instructions beginning on Page 31.
- 5) Remove the (3) screws and washers from the bottom of the Hub Assembly. Set them aside for reassembly.
- 6) Remove the Brake Disc from the Hub. The Brake Disc may have to be tapped off using a small plastic hammer. Replace if necessary.

REPLACE BRAKE DISC AND BASKET

- 1) Replace the Brake Disc by assembling it over the Hub and aligning the (3) holes. Secure the Brake Disc using the (3) screws and (3) Lock Washers removed in step 5 above.
- 2) Reinstall the Brake Disc and Basket Assembly onto the motor shaft. See instructions beginning on Page 31.
- 3) Reinstall the Brake Rods to the Drive Unit Assembly by installing the locknut and spring on each Brake Rod. See instructions beginning on Page 31.
- 4) Reinstall Drive Unit Assembly. See instructions beginning on Page 27.
- 5) Reinstall Sub-Top and Top Assemblies. See instructions beginning on Page 21.
- 6) Reattach SUITMATE® unit to the Wall Mount Bracket. See instructions beginning on Page 19.
- 7) Retest the SUITMATE® unit for proper operation, refer to TESTING AND OPERATION on Page 7.



REMOVE / REPLACE BRAKE LEVER

Do this FIRST

Make certain you have all the correct parts and fasteners necessary for correct installation. Re-use any components that are not damaged, otherwise replace them. Extractor recommends that a Brake Parts Kit AEC2300 be purchased. Parts used in this process: (2) AEC1614 Brake Hinge Pins, (4) AEC1603 White Plastic Bushings, (4) AEC1927 Nylon Washers, (2) EC16 Brake Lever Assemblies, (2) AEC1601 Brake Support Brackets, (2) AEC1823 S.S. Pop Rivets. Plus any components required to properly reinstall the Basket and Brake Disc Assembly (Page 33), the Brake Pad Supports (Page 37), the Drive Unit Assembly (Page 27), and the Sub-Top and Top Assemblies (Page 21).

REMOVE BRAKE LEVER

- 1) Remove SUITMATE® unit from the Wall Mount Bracket. See instructions beginning on Page 18.
- 2) Remove Top and Sub-Top Assemblies. See instructions beginning on Page 20.
- 3) Remove Drive Unit Assembly. See instructions beginning on Page 27.
- 4) Remove Basket, Hub, and Brake Disc Assembly. See instructions beginning on Page 31.

Note: *Make certain that the C-clamps have been removed from the Brake Levers.*

- 5) Remove the Brake compression spring, washer, and plastic bushing. Set them aside for reassembly.

Note: *Pay attention to the location of the spring, washer and plastic bushing. It is recommended that the compression spring be replaced with a new compression spring.*

- 6) Remove the rivet that holds the Brake Lever Assembly to the Brake Support Bracket on the Motor Mounting Plate. Refer to drawing on bottom of Page 34.
 - a. Punch out the center of each rivet with a small drift punch.
 - b. Drill out the rivet.
 - c. Chisel off the rivet head.

- 7) Remove and discard the Brake Hinge Pin.

- 8) Remove the old Brake Lever Assembly.

Note: *Pay attention to the placement and alignment of the plastic bushings and plastic washers in the Brake Assembly. Set them aside for reassembly. Inspect the Brake levers, springs and plastic bushings and washers for wear and replace with new ones if necessary.*

- 9) To replace the Brake Pad Assembly or the Brake Pads, please refer to the instructions on page 37.

REPLACE BRAKE LEVER

- 1) Reinstall the Brake Pad Assembly. See instructions on Page 37, step 3.

- 2) Replace the Brake Lever by reversing the above procedure. A NEW Hinge Pin and pop rivet MUST be used.

Note: *Be certain that the plastic bushing and washers are in "new" condition and in their proper locations. Make certain to reinstall the C-clamps on the Brake Levers. The height of the Brake Pad should be less than 1 3/8 inches (35mm) high as measured from the Motor Mounting Plate.*

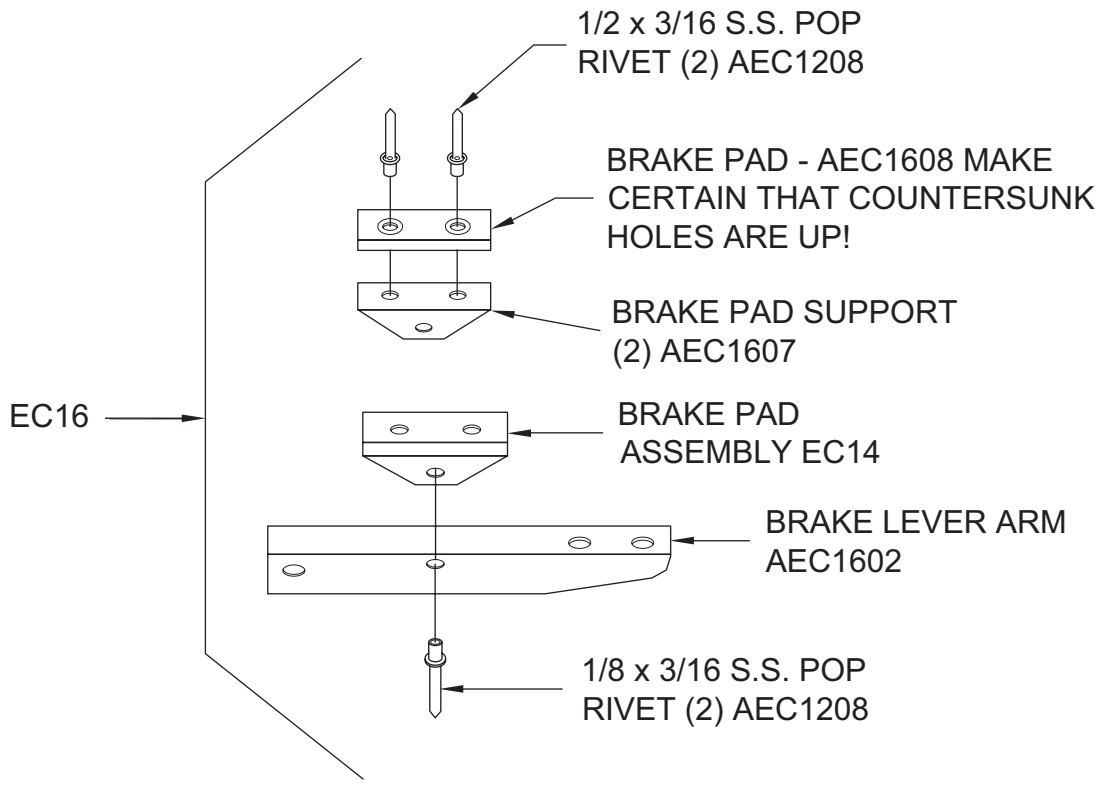
- 3) Reinstall the Brake Disc and Basket. See instructions beginning on Page 33.

- 4) Reinstall Drive Unit Assembly. See instructions beginning on Page 27.

- 5) Reinstall Sub-Top and Top Assemblies. See instructions beginning on Page 21.

- 6) Reattach SUITMATE® unit to the Wall Mount Bracket. See instructions beginning on Page 19.

- 7) Retest the SUITMATE® unit for proper operation, refer to TESTING AND OPERATION on Page 7.



EC16 BRAKE LEVER ASSEMBLY - 2 REQUIRED

REMOVE AND REPLACE BRAKE PADS

Do this FIRST

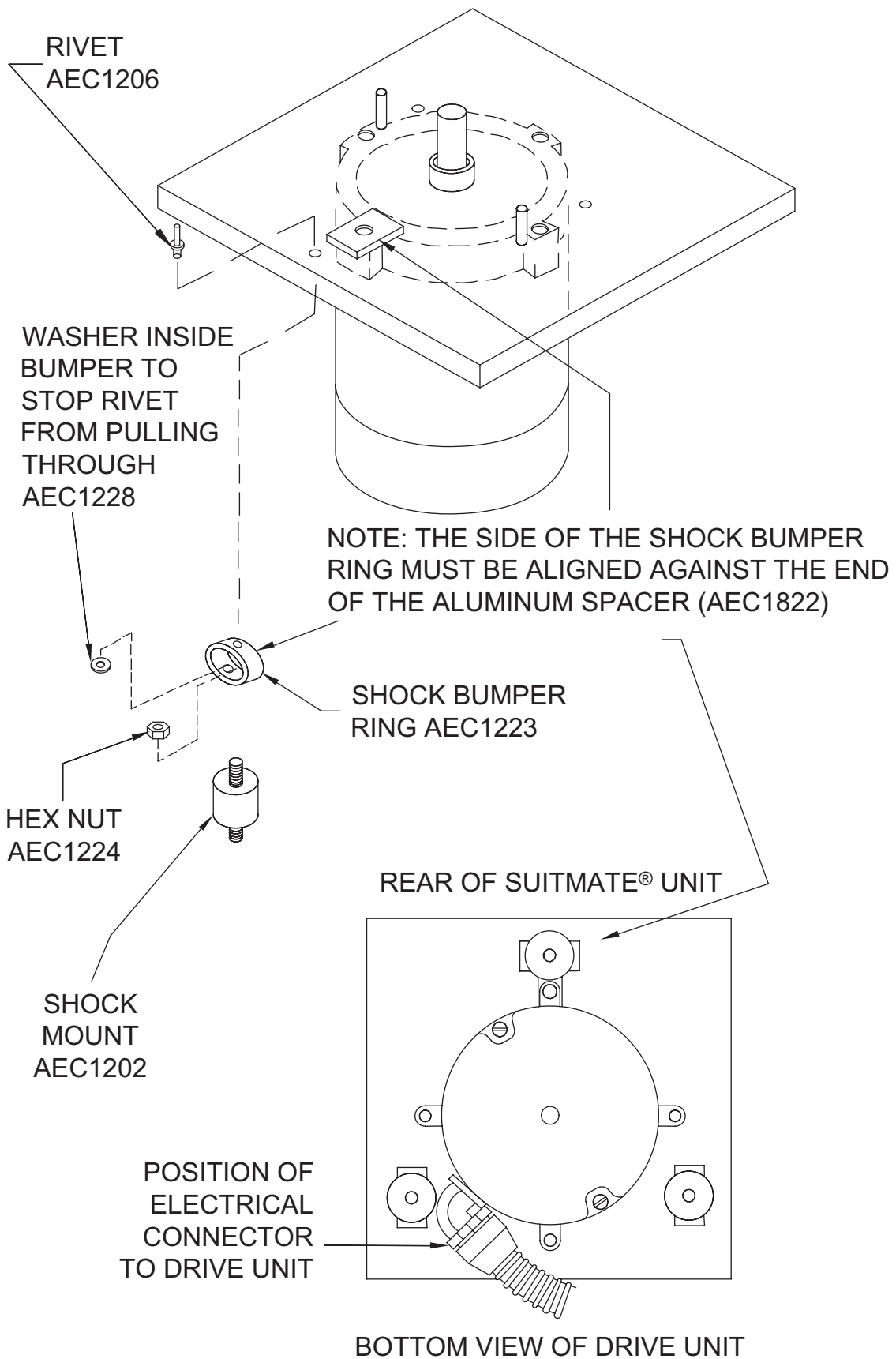
Make certain you have all the correct parts and fasteners necessary for correct installation. Re-use any parts that are not damaged, otherwise replace them. Extractor recommends that a Brake Parts Kit AEC2300 be purchased. Parts used in this process: (2) AEC1607 Brake Pad Supports, (2) AEC1608 Brake Pads, (8) AEC1208 S.S. Pop Rivets. Plus any components required to properly reinstall the Basket, Hub and Brake Disc Assembly (Page 31), the Brake Lever Assemblies (Page 35), the Drive Unit Assembly (Page 27), and the Sub-Top and Top Assemblies (Page 21).

REMOVE BRAKE PADS

- 1) Remove SUITMATE® unit from the Wall Mount Bracket. See instructions beginning on Page 18.
- 2) Remove Top and Sub-Top Assemblies. See instructions beginning on Page 20.
- 3) Remove Drive Unit Assembly. See instructions beginning on Page 27.
- 4) Remove Basket, Hub, and Brake Disc Assembly. See instructions beginning on Page 31.
- 5) Remove Brake Lever Assembly. See instructions beginning on Page 35.
- 6) Remove the rivets that hold the Brake Pad support to the Brake Lever Assembly.
 - a. Punch out the center of each rivet with a small drift punch.
 - b. Drill out the rivet.
 - c. Chisel off the rivet head. Make certain the rivet is completely removed.
- 7) Remove the Brake Pad Assembly.
- 8) Remove the rivets that hold the Brake Pad to the Brake Pad support bracket.
 - a. Punch out the center of each rivet with a small drift punch.
 - b. Drill out the rivet.
 - c. Chisel off the rivet head. Make certain the rivet is completely removed.
- 9) Remove the old Brake Pad.

REPLACE BRAKE PAD

- 1) Align the holes on the new Brake Pad with the holes of the Brake Pad support.
Note: *Make certain the Brake Pad has the Countersunk holes on the top.*
- 2) Rivet the Brake Pad to the Brake Pad support using AEC1208 S.S. Pop Rivets.
- 3) Align the holes on the side of the Brake Pad Support with the holes in the side of the Brake Lever. The Brake Pad Support should have a snug fit on the Brake Lever so that it does NOT move freely but can still be moved. Secure the Brake Pad Support to the Brake Lever Arm using new AEC1208 S.S. Pop Rivets.
- 4) Reinstall the Brake Lever Assemblies. See instructions beginning on Page 35.
- 5) Reinstall Basket, Hub, and Brake Disc Assembly. See instructions beginning on Page 31.
- 6) Reinstall Drive Unit Assembly. See instructions beginning on Page 27.
- 7) Reinstall Sub-Top and Top Assemblies. See instructions beginning on Page 21.
- 8) Reattach SUITMATE® unit to the Wall Mount Bracket. See instructions beginning on Page 19.
- 9) Retest the SUITMATE® unit for proper operation, refer to TESTING AND OPERATION on Page 7.



REMOVE AND REPLACE SHOCK MOUNTS

Do this FIRST

Make certain you have all the correct parts and fasteners necessary for correct installation. Re-use any components that are not damaged, otherwise replace them. Parts used in this process: (3) AEC1202 Shock Mounts, (3) AEC1224 S.S. Nuts. Plus any components required to properly reinstall the Drive Unit Assembly (Page 27) and the Sub-Top and Top Assemblies (Page 21).

REMOVE SHOCK MOUNTS

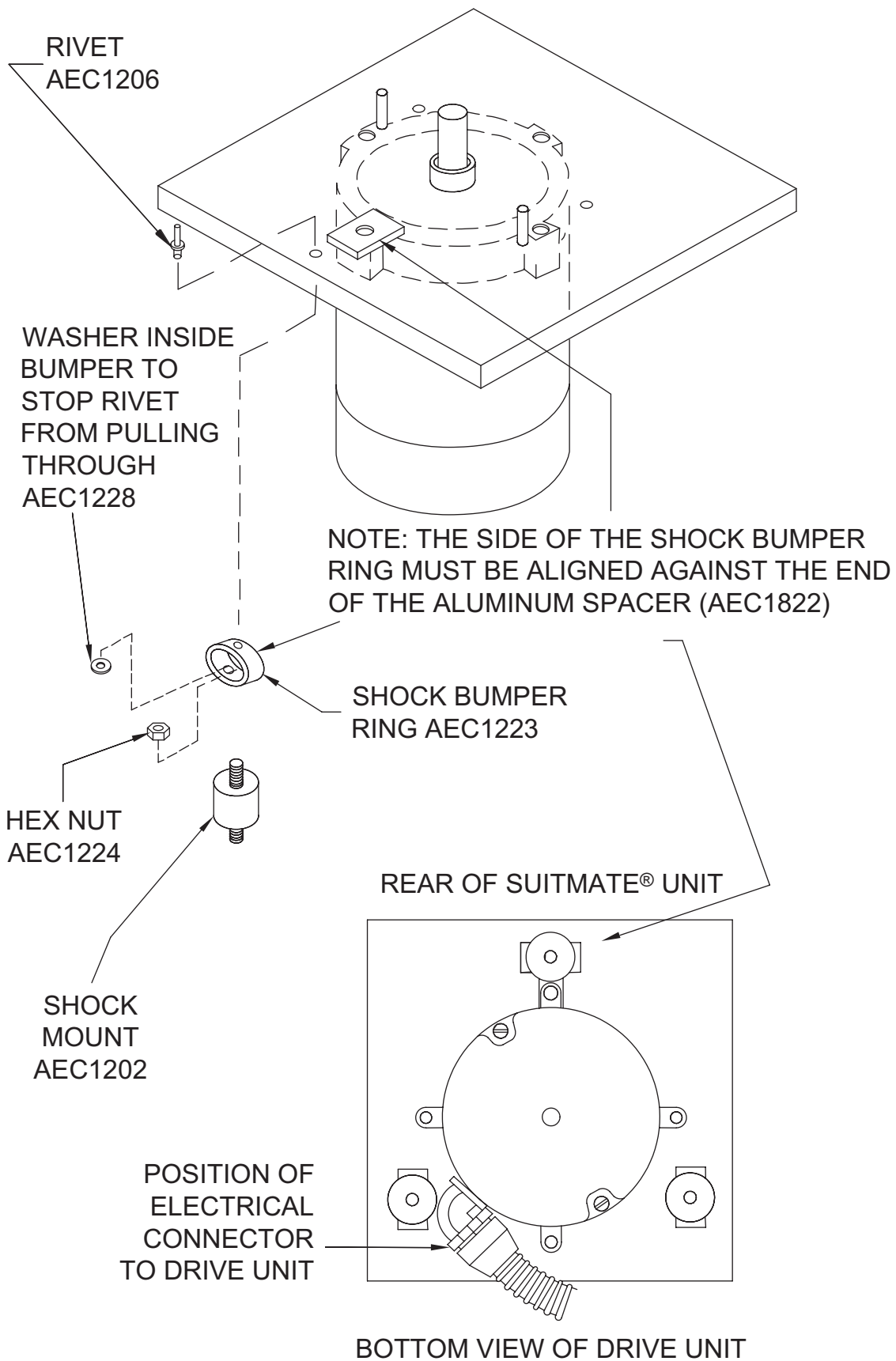
- 1) Remove SUITMATE® unit from the Wall Mount Bracket. See instructions beginning on Page 18.
- 2) Remove Top and Sub-Top Assemblies. See instructions beginning on Page 20.
- 3) Remove Drive Unit Assembly. See instructions beginning on Page 27.
- 4) Remove the S.S. Nut that secures the Shock Mount to the Shock Bumper Ring.
- 5) Remove the Shock Mount from the Shock Bumper Ring.

REPLACE SHOCK MOUNTS

- 1) Install the new Shock Mount to the Shock Bumper Ring and secure using the S.S. Nut.

Note: Use new S.S. Nuts if necessary.

- 2) Reinstall Drive Unit Assembly. See instructions beginning on Page 27.
- 3) Reinstall Sub-Top and Top Assemblies. See instructions beginning on Page 21.
- 4) Reattach SUITMATE® unit to the Wall Mount Bracket. See instructions beginning on Page 19.
- 5) Retest the SUITMATE® unit for proper operation, refer to TESTING AND OPERATION on Page 7.



REMOVE AND REPLACE SHOCK BUMPER RINGS

Do this FIRST

Make certain you have all the correct parts and fasteners necessary for correct installation. Re-use any components that are not damaged, otherwise replace them. Parts used in this process: (3) AEC1223 Shock Bumper Rings, (3) AEC1228 Washers, (3) AEC1206 S.S. Pop Rivets. Plus any components required to properly reinstall the Shock Mounts (Page 39), the Basket, Hub and Brake Disc Assembly (Page 31), the Drive Unit Assembly (Page 27), and the Sub-Top and Top Assemblies (Page 21).

REMOVE SHOCK BUMPER RINGS

- 1) Remove SUITMATE® unit from the Wall Mount Bracket. See instructions beginning on Page 18.
- 2) Remove Top and Sub-Top Assemblies. See instructions beginning on Page 20.
- 3) Remove Drive Unit Assembly. See instructions beginning on Page 27.
- 4) Remove the (3) S.S. Nuts that secure the (3) Shock Mounts to the (3) Shock Bumper Rings.
- 5) Remove each Shock Mount from each Shock Bumper Ring.

Note: *Examine the positions of the 3 Shock Bumper Rings. Two Bumper Rings should be parallel to each other. The third should be perpendicular to the other two. See Bottom View of Drive Unit on Page 40 for details.*

- 6) Remove the rivet that holds the Shock Bumper Ring to the Motor Mounting Plate.
 - a. Punch out center of the rivet with a small drift punch.
 - b. Drill out the rivet.
 - c. Chisel off the rivet head. Make sure the rivet is completely removed.

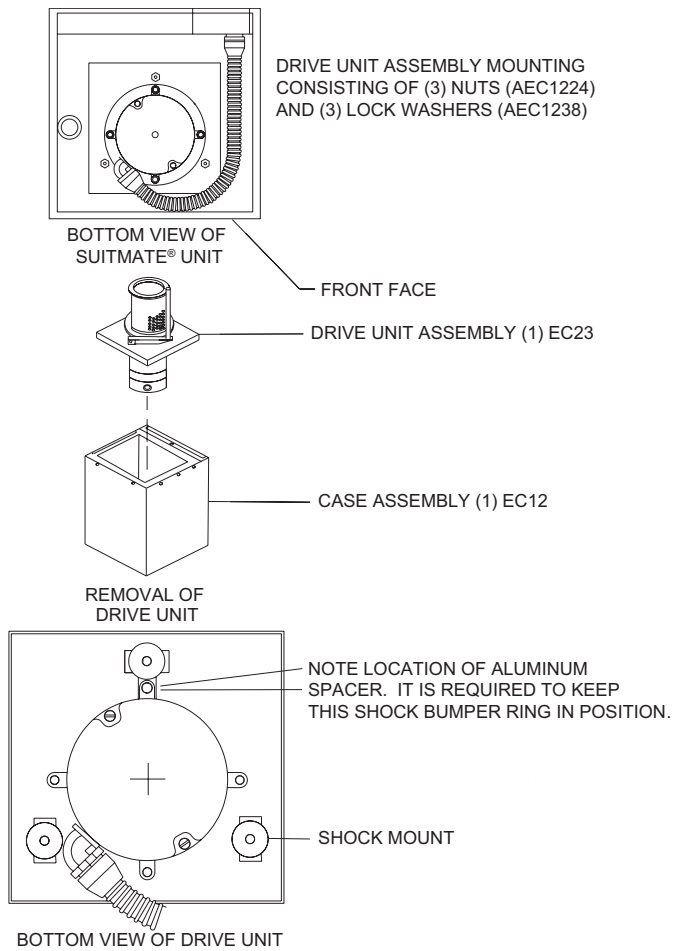
Note: *Set aside the small washer that helps to secure the Shock Bumper Ring to the Motor Mounting Plate. If the washers are deformed, they must be replaced.*

REPLACE SHOCK BUMPER RINGS

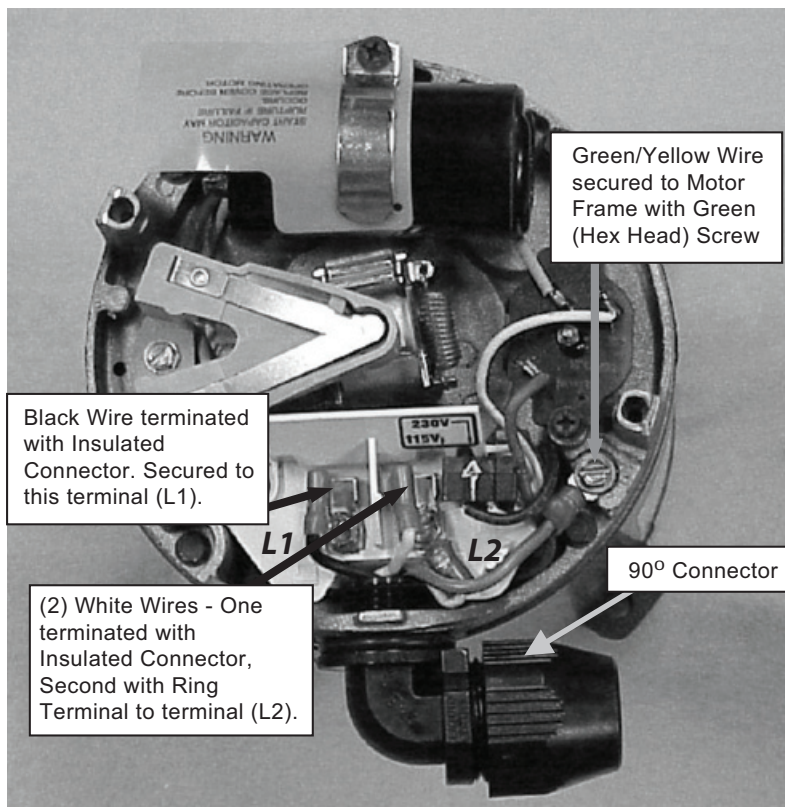
- 1) Rivet the Shock Bumper Ring to the Motor Mounting Plate.

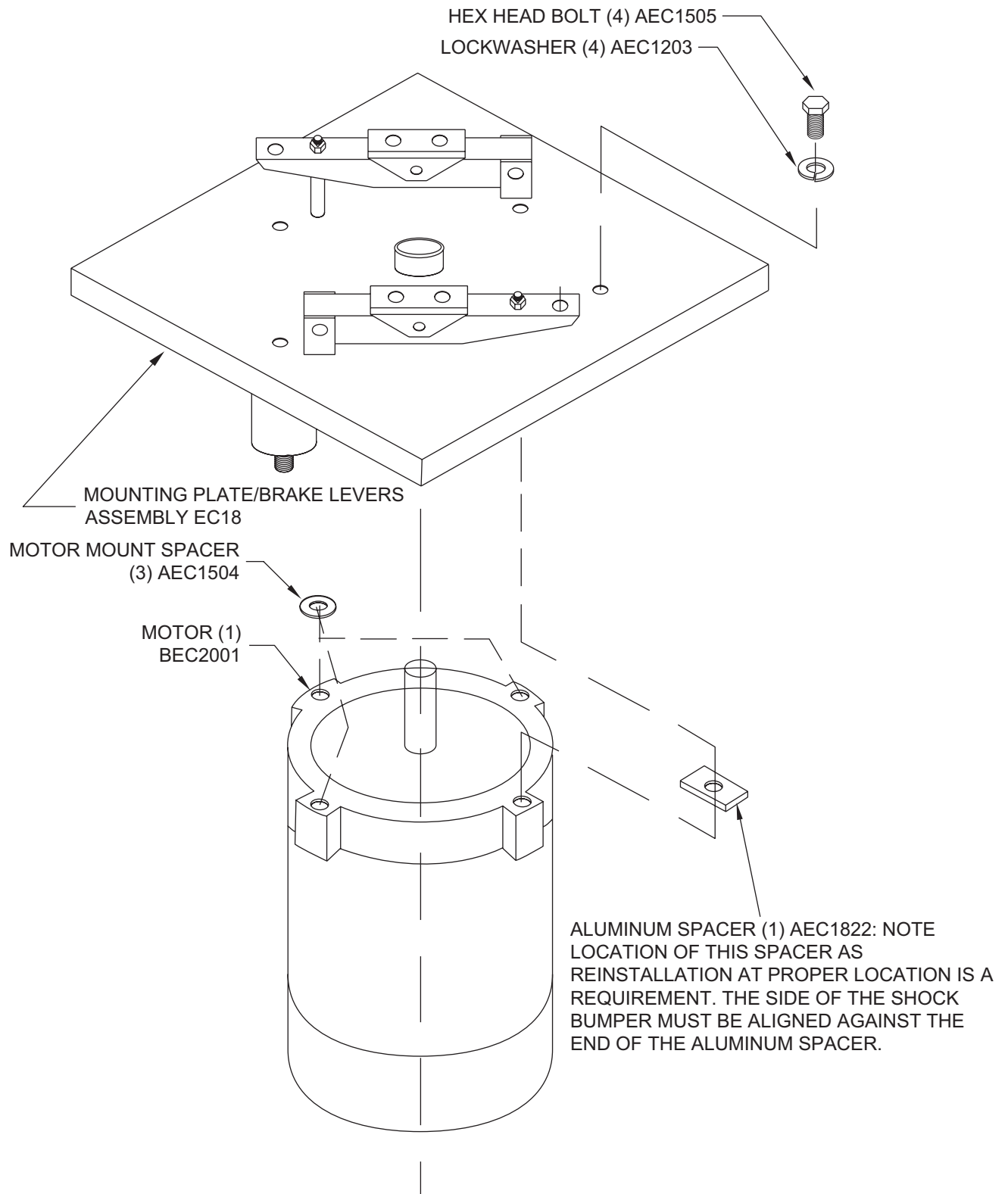
Note: *Be certain to use the small washer (AEC1228) in riveting the Shock Bumper Ring to the Motor Mounting Plate. Make certain the Shock Bumper Ring Assembly is properly aligned with the other two Bumper Rings. Failure to do so will prevent proper reassembly of the SUITMATE® unit.*

- 2) Apply clear Silicone sealer (available locally) on the rivet head located on top of the Motor Mounting Plate.
- 3) Reinstall the (3) Shock Mounts. See instructions beginning on page 39.
- 4) Reinstall Drive Unit Assembly. See instructions beginning on Page 27.
- 5) Reinstall Sub-Top and Top Assemblies. See instructions beginning on Page 21.
- 6) Reattach the SUITMATE® unit to the Wall Mount Bracket. See instructions beginning on Page 19.
- 7) Retest the SUITMATE® unit for proper operation, refer to TESTING AND OPERATION on Page 7.

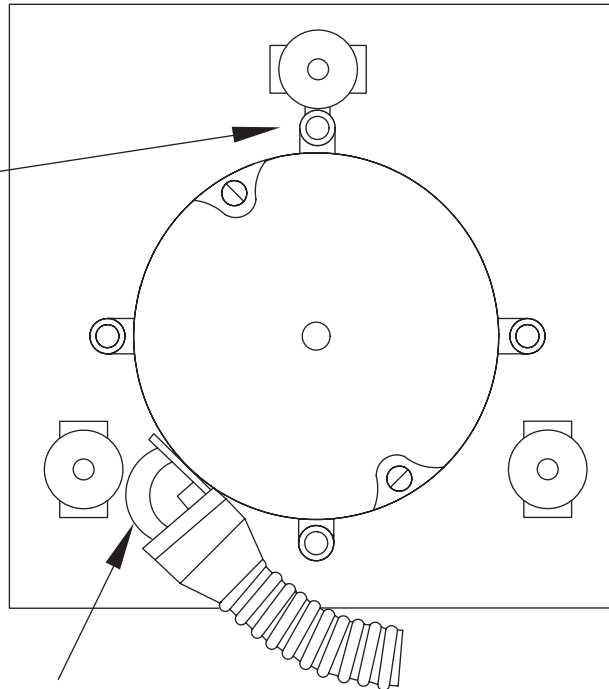


Photograph shows the Correct Position of Wires for Rewiring the Motor





Location of
AEC1822
Aluminum
Spacer



Position of 90° Electrical
connector to drive unit

REMOVE AND REPLACE MOTOR

Do this FIRST

Make certain you have all the correct parts and fasteners necessary for correct installation. Re-use any parts that are not damaged, otherwise replace them. Parts used in this process: (1) AEC1822 Aluminum Spacer, (3) AEC1504 Motor Mount Spacers, (4) AEC1505 Hex Head Bolts, (4) AEC1203 Lock Washers, and (1) BEC2001 Motor 230-V 50-Hz. Plus any components required to properly reinstall the Basket, Hub, and Brake Disc Assembly (Page 31), the Drive Unit Assembly (Page 27), and the Sub-Top and Top Assemblies (Page 21).

REMOVE MOTOR FROM MOUNTING PLATE

- 1) Remove SUITMATE® unit from the Wall Mount Bracket. See instructions beginning on Page 18.
- 2) Remove Top and Sub-Top Assemblies. See instructions beginning on Page 20.
- 3) Remove Drive Unit Assembly. See instructions beginning on Page 27.
- 4) Remove Basket, Hub, and Brake Disc Assembly. See instructions beginning on Page 31.
- 5) Referring to the photograph and drawings on Page 42 through 44, remove the (4) Hex Head Bolts, Lock Washers, and Motor Mount Spacers that hold the Motor to the Mounting Plate.

Note: *Examine the placement of the (4) spacers, especially the AEC1822 Aluminum Spacer next to the Shock Bumper Ring. The rectangular spacer prevents the Shock Bumper Ring from moving. Examine the location of the Motor for the 90° connector in relation to the three Shock Mounts.*

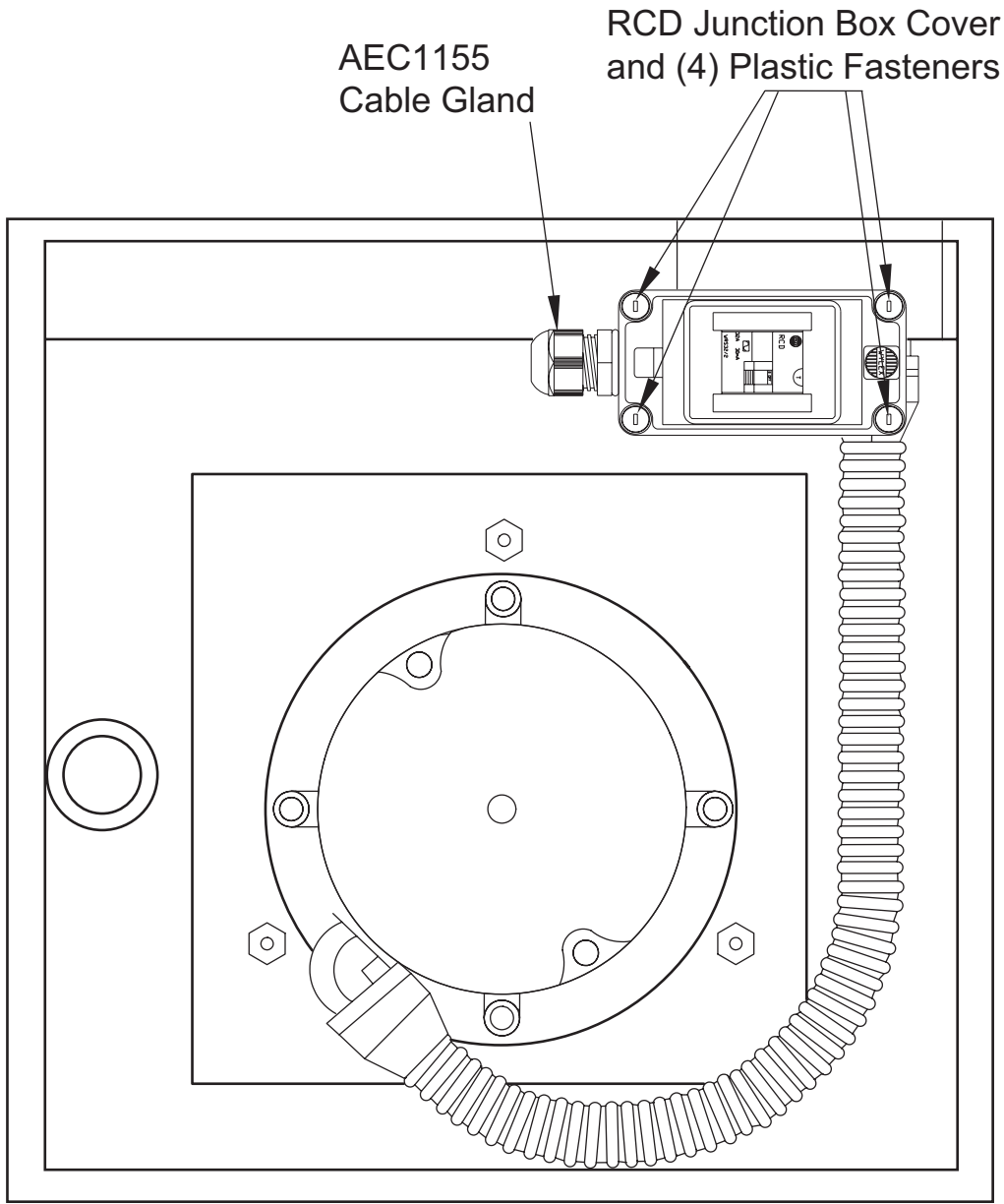
- 6) Remove the Motor and set aside.

REPLACE MOTOR

- 1) Replace the motor using the (4) bolts and (4) lock washers, especially noting placement of the AEC1822 Aluminum Spacer next to the Shock Bumper Ring. See Bottom View of Drive Unit on Page 42 for detail. In addition see the photograph and drawings on Pages 42 and 44.

Note: *When reassembling, use silicone sealer on the bolt and lock washer to preserve water tightness.*

- 2) Reinstall Basket, Hub, and Brake Disc Assembly. See instructions beginning on Page 31.
- 3) Reinstall Drive Unit Assembly. See instructions beginning on Page 27.
- 4) Reinstall Sub-Top and Top Assemblies. See instructions beginning on Page 21.
- 5) Reattach the SUITMATE® unit to the Wall Mount Bracket. See instructions beginning on Page 19.
- 6) Retest the SUITMATE® unit for proper operation. Refer to TESTING AND OPERATION on Page 7.



**BOTTOM VIEW OF SUITMATE® UNIT
SHOWING LOCATION OF RCD
FASTENERS**

ELECTRICAL ASSEMBLIES

230-V 13-Amp 50-Hz Self-Timed Unit

GENERAL

When servicing the SUITMATE® unit, observe the following safety precautions:

Always turn off the power at the circuit breaker – place a lockout tag on the circuit breaker panel indicating that the breaker is not to be turned on except by authorized personnel – and disconnect the unit before doing any work on the SUITMATE® unit. Simply turning off a switch is NOT enough.

Use only proper tools, test equipment, and work practices when servicing the SUITMATE® unit. If there are any questions concerning proper tools, equipment or practices, please contact the factory for recommendations at: (Fax) 847-742-3552, or (Email) info@suitmate.com.

Due to critical tolerances, use only specified replacement parts. See the SUITMATE® UNIT PARTS AND ASSEMBLIES list in this manual.

REMOVE AND REPLACE RCD

The RCD can be serviced from the bottom of the unit without removing the unit from the wall.

Do This FIRST

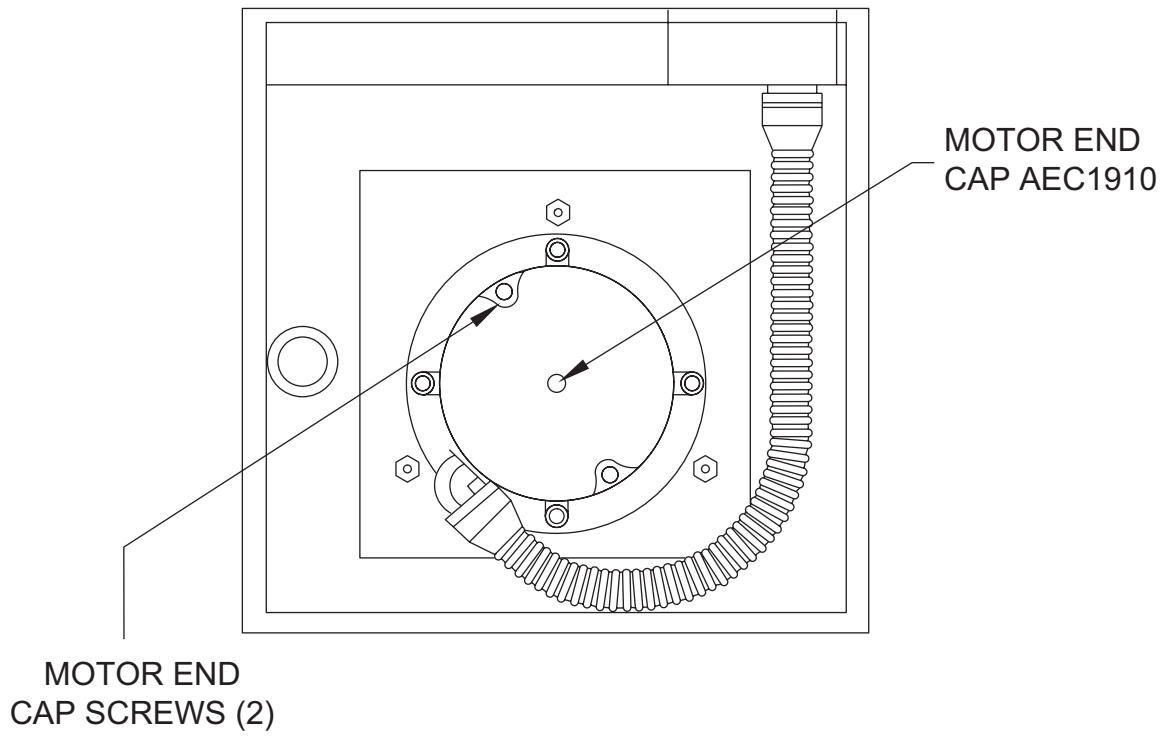
Make certain you have all the correct parts and fasteners necessary for correct installation. Parts used in this process: (1) AEC2009 RCD 230-V 50-Hz.

REMOVE RCD

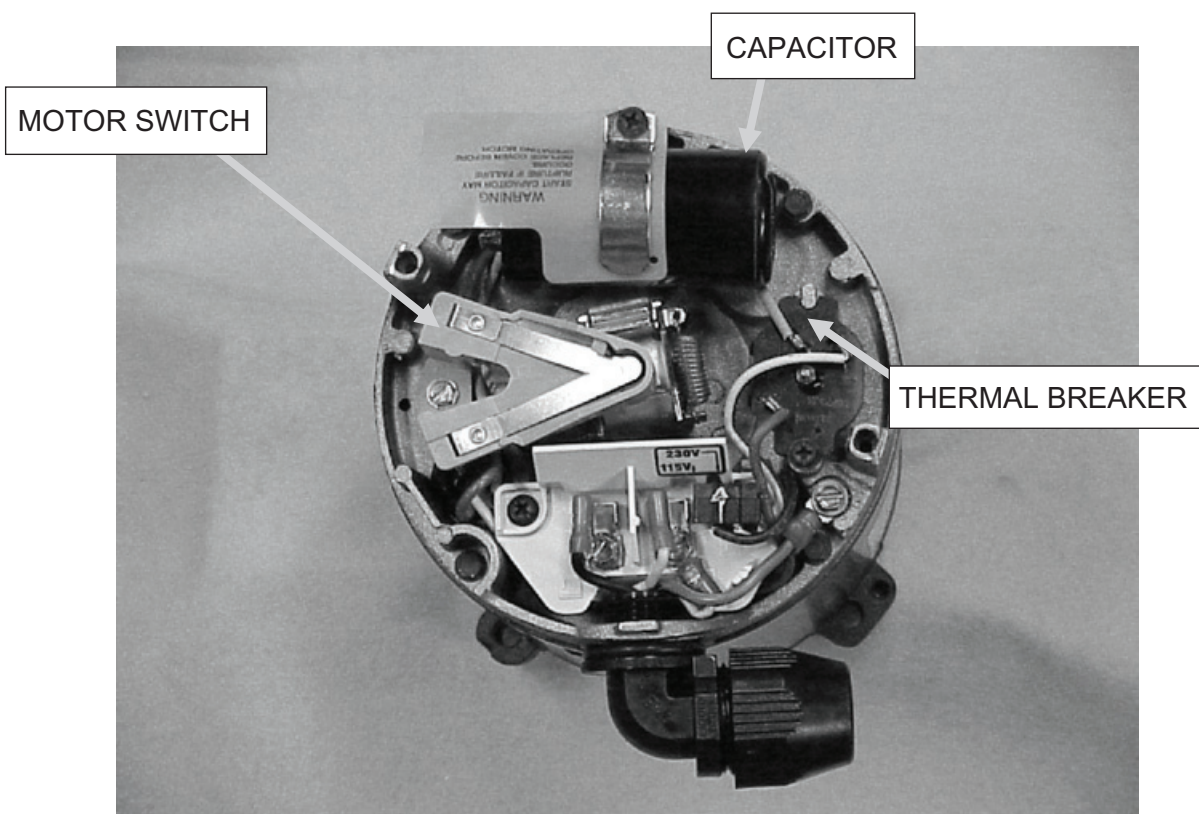
- 1) Turn off the main electrical power to the unit – place a lockout tag on the circuit breaker panel indicating that the breaker is not to be turned on except by authorized personnel, and disconnect the unit before doing any work on the SUITMATE® unit. Simply turning off a switch is NOT enough.
- 2) Remove the Bottom Plate that is attached with six screws. Save the Bottom Plate and the six mounting screws as they will be required to reinstall the Bottom Plate.
Note: If electrical or plumbing connections were routed through the Bottom Plate, it may be necessary to disconnect them prior to removing the Bottom Plate. Refer to External Plumbing and/or Electrical Service connections in this manual. See Pages 7 and 8 for additional information.
- 3) Remove the cover of the weatherproof Junction Box that contains the RCD. Set the cover and (4) plastic screws aside for reassembly.
- 4) Remove the RCD from the weatherproof Junction Box.

REPLACE RCD

- 1) Remove the wires, one at a time, and put each wire in the matching position on the new RCD.
- 2) Place the newly wired RCD into the weatherproof Junction Box and secure it. Terminal connections should be tightened to a torque of 2.3Nm (20 lbf-in) DO NOT connect using power driven screwdrivers.
- 3) Replace the cover of the weatherproof Junction Box using the (4) screws previously removed.
- 4) Replace the Bottom Plate that is attached with six screws.
Note: If electrical or plumbing connections were disconnected during the removal of the Bottom Plate, reroute and reconnect them prior to reinstalling the Bottom Plate. Refer to External Plumbing and/or Electrical Service connections in this manual. See Pages 7 and 8 for additional information.
- 5) Turn on the main electrical power to the unit and retest to assure proper operation. Refer to TESTING AND OPERATION on page 7.



Photograph shows the location of various motor components



REMOVE AND REPLACE MOTOR CAPACITOR

The Motor Capacitor can be serviced from the bottom of the unit without removing the unit from the wall.

Do This FIRST

Make certain you have all the correct parts and fasteners necessary for correct installation. Parts used in this process: (1) AEC1906 Motor Capacitor.

REMOVE MOTOR CAPACITOR

- 1) Turn off the main electrical power to the unit – place a lockout tag on the circuit breaker panel indicating that the breaker is not to be turned on except by authorized personnel and disconnect the unit before doing any work on the SUITMATE® unit. Simply turning off a switch is NOT enough.
- 2) Remove the Bottom Plate that is attached with six screws. Save the Bottom Plate and the six mounting screws as they will be required to reinstall the Bottom Plate.

Note: *If electrical or plumbing connections were routed through the Bottom Plate, it may be necessary to disconnect them prior to removing the Bottom Plate. Refer to External Plumbing and/or Electrical Service connections in this manual. Refer to Pages 7 and 8 for additional information.*

- 3) Remove the Motor End Cap by loosening the (2) captive screws and setting the end cap aside.
- 4) Remove the screw on the Motor's post that holds the Capacitor retaining piece and the plastic shield. Set the piece and the shield aside for reassembly.

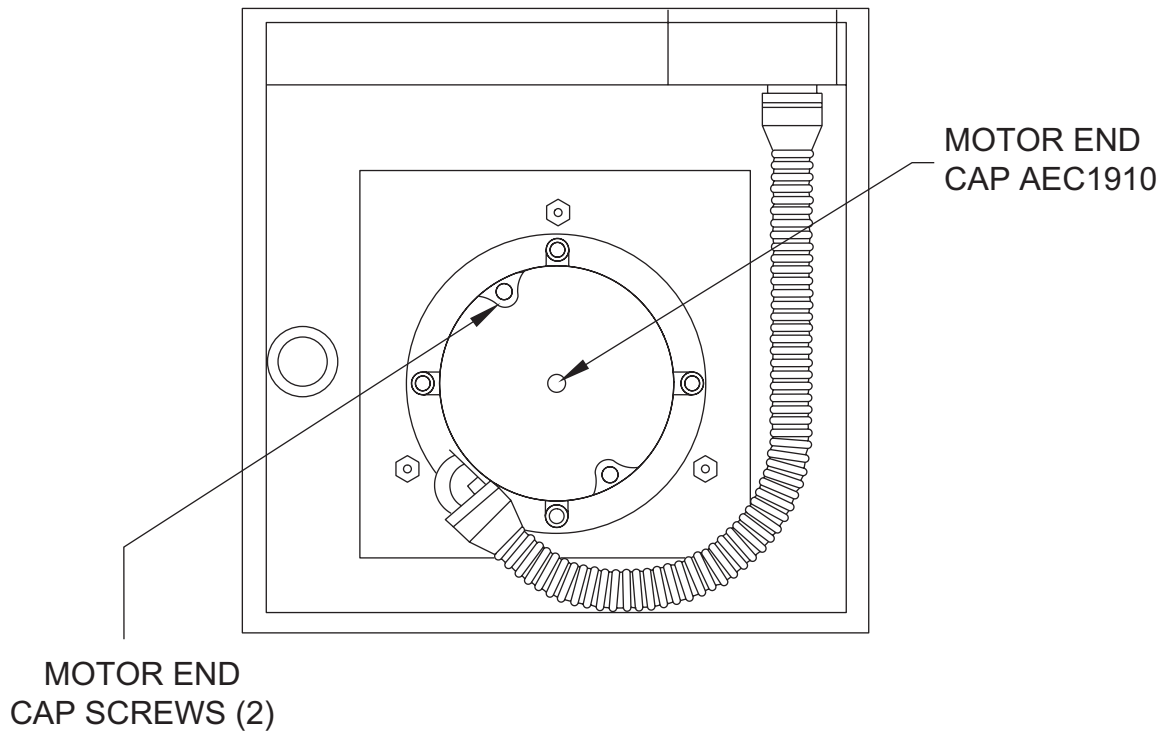
Note: *Carefully note the position and location of the old Capacitor as the new Capacitor MUST be installed in the same position and location as the old one. Refer to Page 48 for additional information.*

REPLACE MOTOR CAPACITOR

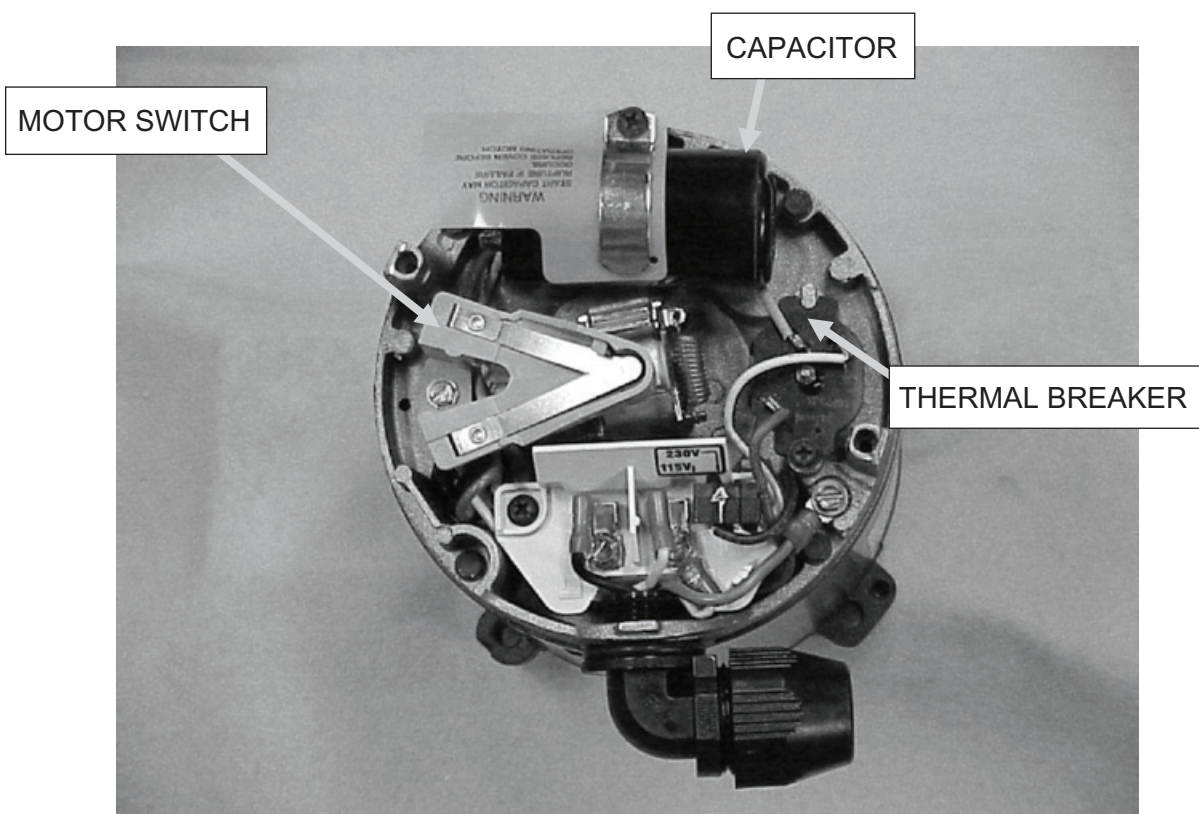
- 1) Remove the wires, one at a time, from the old Capacitor and put each wire in the matching position on the new Capacitor.
- 2) Remove the old Capacitor and position the newly wired Capacitor in the Motor using the previously removed plastic shield and retaining piece. Replace and tighten the screw on the Motor post.
- 3) Replace the previously removed Motor End Cap.
- 4) Replace the Bottom Plate that is attached with six screws.

Note: *If electrical or plumbing connections were disconnected during the removal of the Bottom Plate, reroute and reconnect them prior to reinstalling the Bottom Plate. Refer to External Plumbing and/or Electrical Service connections in this manual. Refer to Pages 7 and 8 for additional information.*

- 5) Turn on the main electrical power to the unit and retest to assure proper operation. Refer to TESTING AND OPERATION on Page 7.



Photograph shows the location of various motor components



REMOVE AND REPLACE THERMAL BREAKER

The Thermal Breaker can be serviced from the bottom of the unit without removing the unit from the wall

Do This FIRST

Make certain you have all the correct parts and fasteners necessary for correct installation. Parts used in this process: (1) AEC1908 Thermal Breaker.

REMOVE THERMAL BREAKER

- 1) Turn off the main electrical power to the unit – place a lockout tag on the circuit breaker panel indicating that the breaker is not to be turned on except by authorized personnel and disconnect the unit before doing any work on the SUITMATE® unit. Simply turning off a switch is NOT enough.
- 2) Remove the Bottom Plate that is attached with six screws. Save the Bottom Plate and the six mounting screws as they will be required to reinstall the Bottom Plate.

Note: *If electrical or plumbing connections were routed through the Bottom Plate, it may be necessary to disconnect them prior to removing the Bottom Plate. Refer to External Plumbing and/or Electrical Service connections in this manual. Refer to Pages 7 and 8 for additional information.*

- 3) Remove the Motor End Cap by loosening the (2) captive screws and setting the end cap aside.
- 4) Remove the hex head screw holding the Thermal Breaker in place. Set it aside for reassembly later.

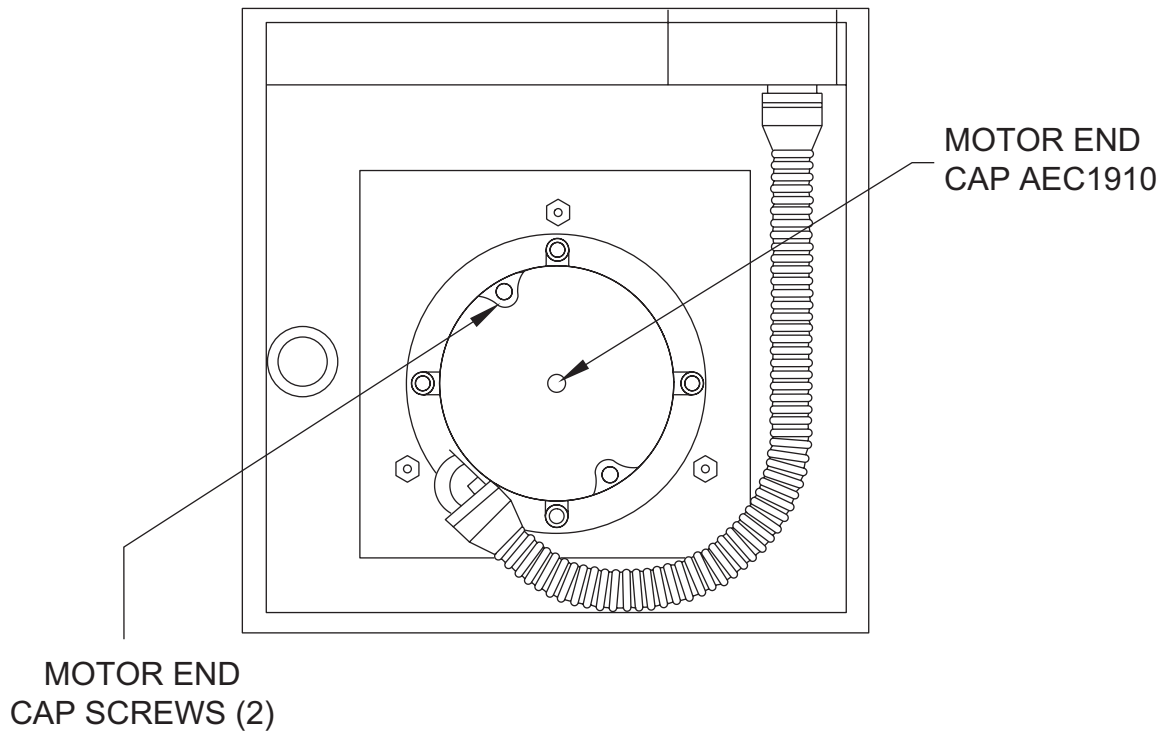
Note: *Carefully note the position and location of the old Thermal Breaker as the new Thermal Breaker MUST be installed in the same position and location as the old one. Refer to Page 50 for additional information.*

REPLACE THERMAL BREAKER

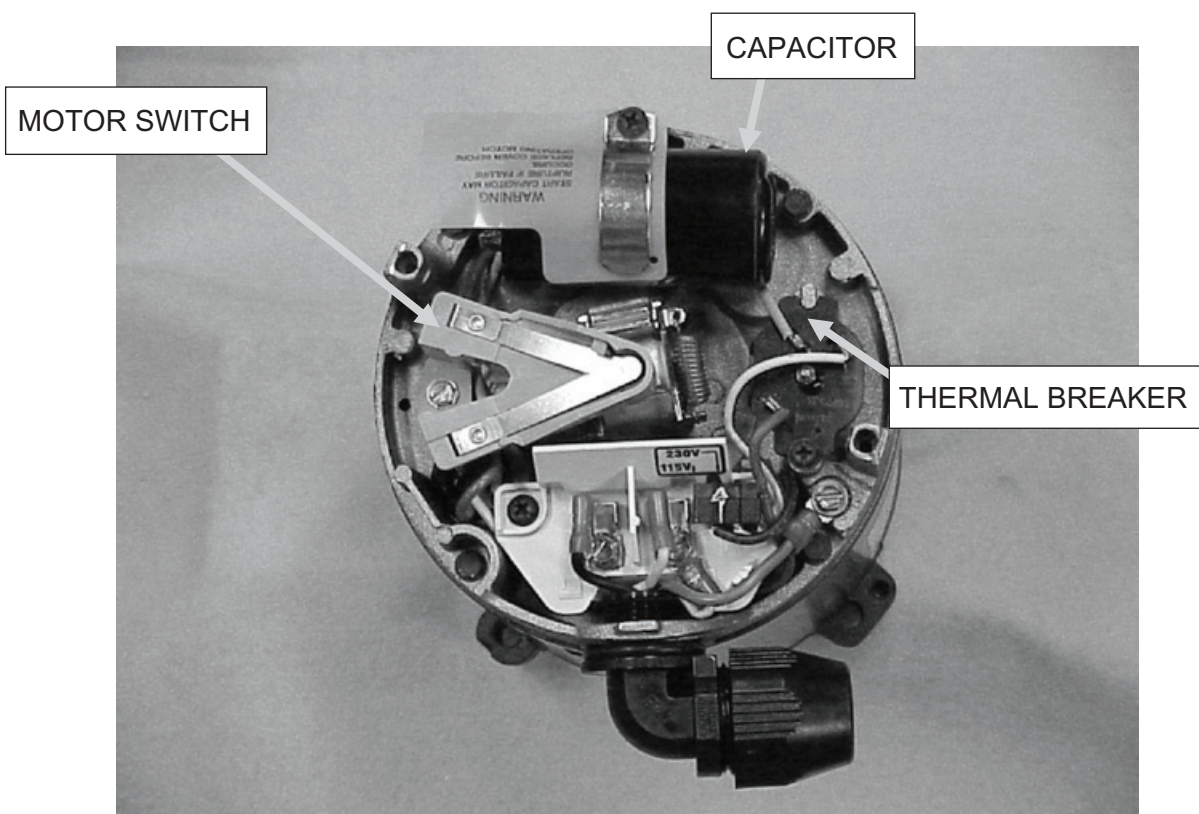
- 1) Remove the wires, one at a time, from the Motor and replace them with the same color wires from the new Thermal Breaker. Note the color and the post which it is attached.
- 2) Replace the old Thermal Breaker with the newly connected Thermal Breaker.
- 3) Position the Thermal Breaker in the Motor and tighten the hex head screw previously removed.
- 4) Replace the previously removed Motor End Cap.
- 5) Replace the Bottom Plate that is attached with six screws.

Note: *If electrical or plumbing connections were disconnected during the removal of the Bottom Plate, reroute and reconnect them prior to reinstalling the Bottom Plate. Refer to External Plumbing and/or Electrical Service connections in this manual. Refer to Pages 7 and 8 for additional information.*

- 6) Turn on the main electrical power to the unit and retest to assure proper operation. Refer to TESTING AND OPERATION on Page 7.



Photograph shows the location of various motor components



REMOVE AND REPLACE MOTOR SWITCH

The Motor Switch can be serviced from the bottom of the unit without removing the unit from the wall.

Do This FIRST

Make certain you have all the correct parts and fasteners necessary for correct installation. Parts used in this process: (1) AEC1905 Motor Switch.

REMOVE MOTOR SWITCH

- 1) Turn off the main electrical power to the unit – place a lockout tag on the circuit breaker panel indicating that the breaker is not to be turned on except by authorized personnel and disconnect the unit before doing any work on the SUITMATE® unit. Simply turning off a switch is NOT enough.
- 2) Remove the Bottom Plate that is attached with six screws. Save the Bottom Plate and the six mounting screws as they will be required to reinstall the Bottom Plate.

Note: *If electrical or plumbing connections were routed through the Bottom Plate, it may be necessary to disconnect them prior to removing the Bottom Plate. Refer to External Plumbing and/or Electrical Service connections in this manual. Refer to Pages 7 and 8 for additional information.*

- 3) Remove the Motor End Cap by loosening the (2) captive screws and setting the end cap aside.
- 4) Remove the hex head screw holding the Motor Switch in place. Set it aside for reassembly.

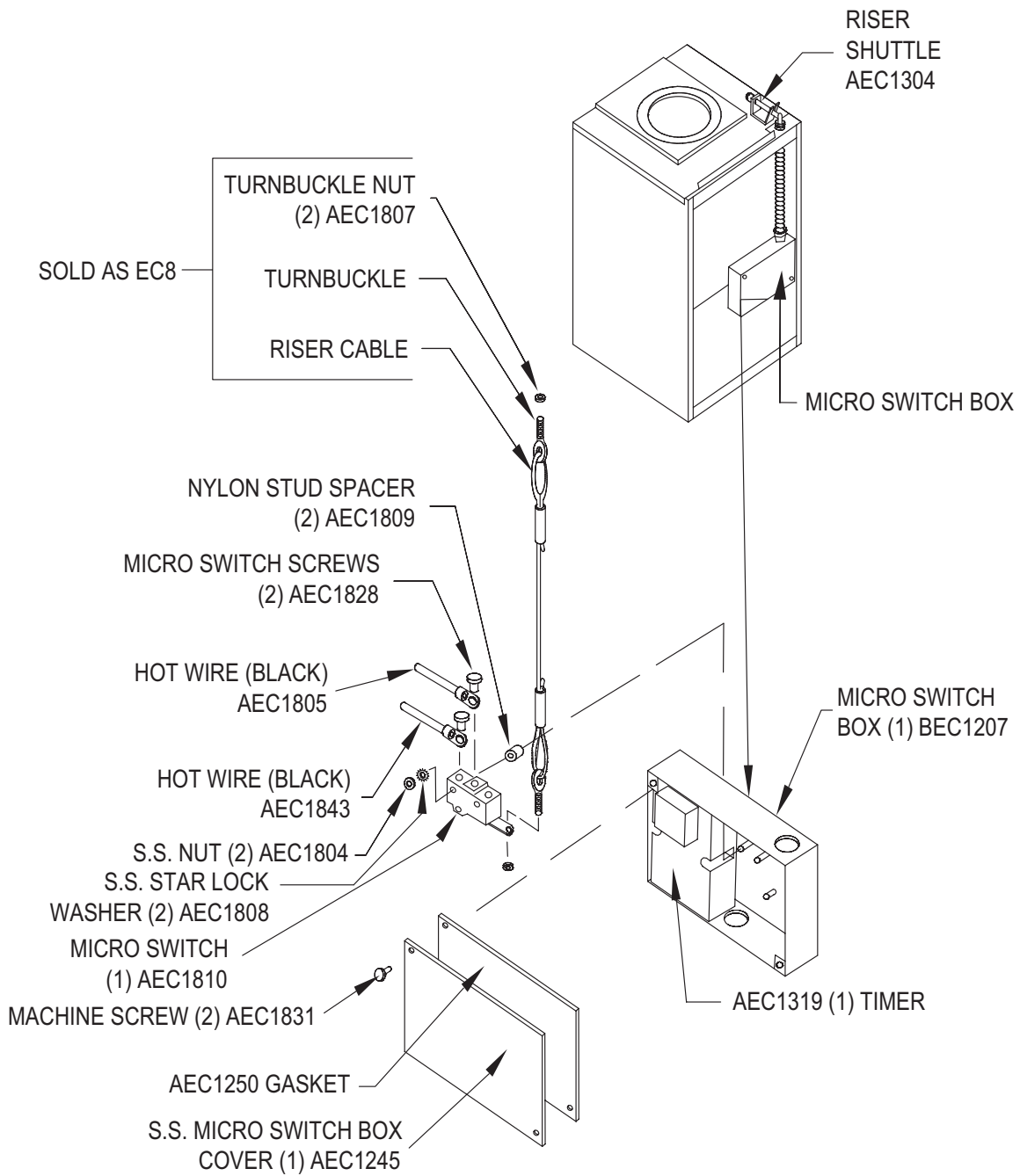
Note: *Carefully note the position and location of the old Motor Switch, as the new Motor Switch must be installed in the same position and location as the old one. Refer to Page 52 for additional information.*

REPLACE MOTOR SWITCH

- 1) Remove the wires, one at a time, from the Motor Switch. Put each wire in the matching position on the new Motor Switch.
- 2) Replace the old Motor Switch with the newly connected Motor Switch. Position the Motor Switch in the Motor and replace and tighten the hex head screw previously removed.
- 3) Replace the previously removed Motor End Cap.
- 4) Replace the Bottom Plate that is attached with six screws.

Note: *If electrical or plumbing connections were disconnected during the removal of the Bottom Plate, reroute and reconnect them prior to reinstalling the Bottom Plate. Refer to External Plumbing and/or Electrical Service connections in this manual. Refer to Pages 7 and 8 for additional information.*

- 5) Turn on the main electrical power to the unit and retest to assure proper operation. Refer to TESTING AND OPERATION on Page 7.



Refer to Wiring Diagram on Page 6 for details

REMOVE AND REPLACE MICRO SWITCH

Do This FIRST

Make certain you have all the correct parts and fasteners necessary for correct installation. Parts used in this process: (1) AEC1810 Micro Switch, (2) AEC1808 Star Lock Washers, (2) AEC1804 S.S. Nuts, (2) AEC1831 Machine Screws, (1) AEC1250 Gasket, and (1) AEC1245 Micro Switch Box Cover.

REMOVE MICRO SWITCH

- 1) Turn off the main electrical power to the unit – place a lockout tag on the circuit breaker panel indicating that the breaker is not to be turned on except by authorized personnel and disconnect the unit before doing any work on the SUITMATE® unit. Simply turning off a switch is NOT enough.
- 2) Remove SUITMATE® unit from the Wall Mount Bracket. See instructions beginning on Page 18. Place the SUITMATE® unit on its front side.

Note: *If electrical or plumbing connections were routed through the Bottom Plate, it may be necessary to remove and disconnect them prior to removing the SUITMATE® unit from the wall Mount Bracket. Refer to External Plumbing and/or Electrical Service connections in this manual. Refer to Pages 7 and 8 for additional information.*

- 3) Remove the Micro Switch Box Cover to expose the Micro Switch and Riser Cable assembly by unscrewing (2) screws. Place the screws aside for reassembly later.

Note: *Older units may have rivets instead of screws.*

- 4) Unscrew the Turnbuckle Nut on the Riser Cable Turnbuckle to free the Micro Switch's arm. Set the nut aside for reassembly.
- 5) Remove the Nuts and Lock Washers to access the Micro Switch. Set the hardware aside for reassembly.
- 6) Remove the Micro Switch from the mounting studs.

REPLACE MICRO SWITCH

- 1) Remove the wires, one at a time, and put each wire in the matching position on the new Micro Switch.
 - 2) Place the newly wired Micro Switch on the mounting studs. Make certain the switch arm extends to the right. Use the Nuts and Lock Washers previously removed to secure the new Micro Switch.
- Note:** *Do not over tighten the Nuts!*
- 3) Put the threaded end of the Riser Cable Turnbuckle through the hole in the arm of the Micro Switch. Use the previously removed Turnbuckle Nut (step 4) to secure the Turnbuckle to the switch arm.
 - 4) Refer to the SUITMATE® UNIT MICRO SWITCH ADJUSTMENT PROCEDURE (Page 59) in this manual to properly adjust the Micro Switch.
 - 5) After the Riser Cable is properly adjusted, replace the Micro Switch Box Cover and secure it in place using the previously removed or replacement screws.

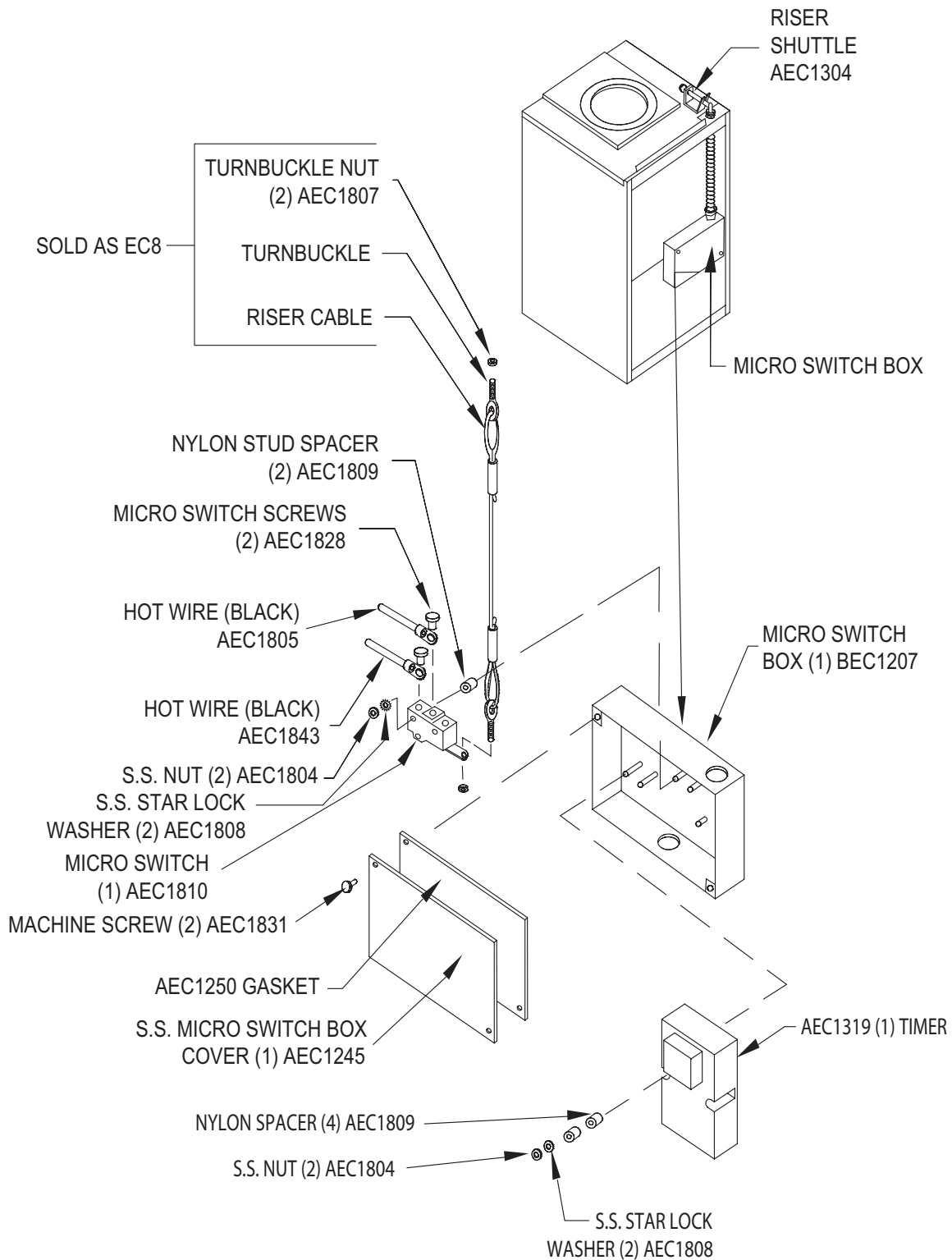
WARNING!

Make certain the foam seal on the Micro Switch Box Cover is not damaged so that water cannot enter the Micro Switch Box.

- 6) Reattach the SUITMATE® unit to the Wall Mount Bracket. See instructions beginning on Page 19.

Note: *If the Bottom Plate was removed during the above process, reroute and reconnect all electrical and plumbing connections prior to reinstalling the Bottom Plate and reattaching the SUITMATE® unit to the Wall Mount Bracket. Refer to External Plumbing and/or Electrical Service connections in this manual. Refer to Pages 7 and 8 for additional information.*

- 7) Turn on the main electrical power to the unit and retest to assure proper operation. Refer to TESTING AND OPERATION on Page 7.



Refer to Wiring Diagram on Page 6 for details

REMOVE AND REPLACE TIMER

Do This FIRST

Make certain you have all the necessary parts and fasteners necessary for correct installation. Parts used in this process: (1) AEC1319 Timer, (4) AEC1809 Nylon Spacers, (2) AEC1808 Star Lock Washers, (2) AEC1804 S.S. Nuts, (2) AEC1831 Machine Screws, (1) AEC1250 Gasket, and (1) AEC1245 Micro Switch Box Cover.

REMOVE TIMER

- 1) Turn off the main electrical power to the unit – place a lockout tag on the circuit breaker panel indicating that the breaker is not to be turned on except by authorized personnel and disconnect the unit before doing any work on the SUITMATE® unit. Simply turning off a switch is NOT enough.
- 2) Remove SUITMATE® unit from the Wall Mount Bracket. See instructions beginning on Page 18. Place the SUITMATE® on its front side.

Note: *If electrical or plumbing connections were routed through the Bottom Plate, it may be necessary to remove the Bottom Plate and disconnect these connections prior to removing the SUITMATE® unit from the Wall Mount Bracket. Refer to External Plumbing and/or Electrical Service connections in this manual. Refer to Pages 7 and 8 for additional information.*

- 3) Remove the Micro Switch Box Cover to expose the Micro Switch and Riser Cable assembly by unscrewing (2) screws. Set the screws aside for reassembly later.
- 4) Remove the (2) Nuts, (2) Lock Washers and (4) Spacers to access the Timer. Set the hardware aside for reassembly.
- 5) Remove the Timer from the mounting studs.

REPLACE TIMER

- 1) Remove the wires, one at a time, and put each wire in the matching position on the new Timer.
- 2) Place the newly wired Timer on the mounting studs. Use the (4) Spacers (2) Nuts, and (2) Lock Washers previously removed to secure the new Timer. Refer to the wiring schematic on Page 6.

Note: *Do not over tighten the Nuts!*

- 3) Replace the Micro Switch Box Cover and secure it in place using the previously removed screws.

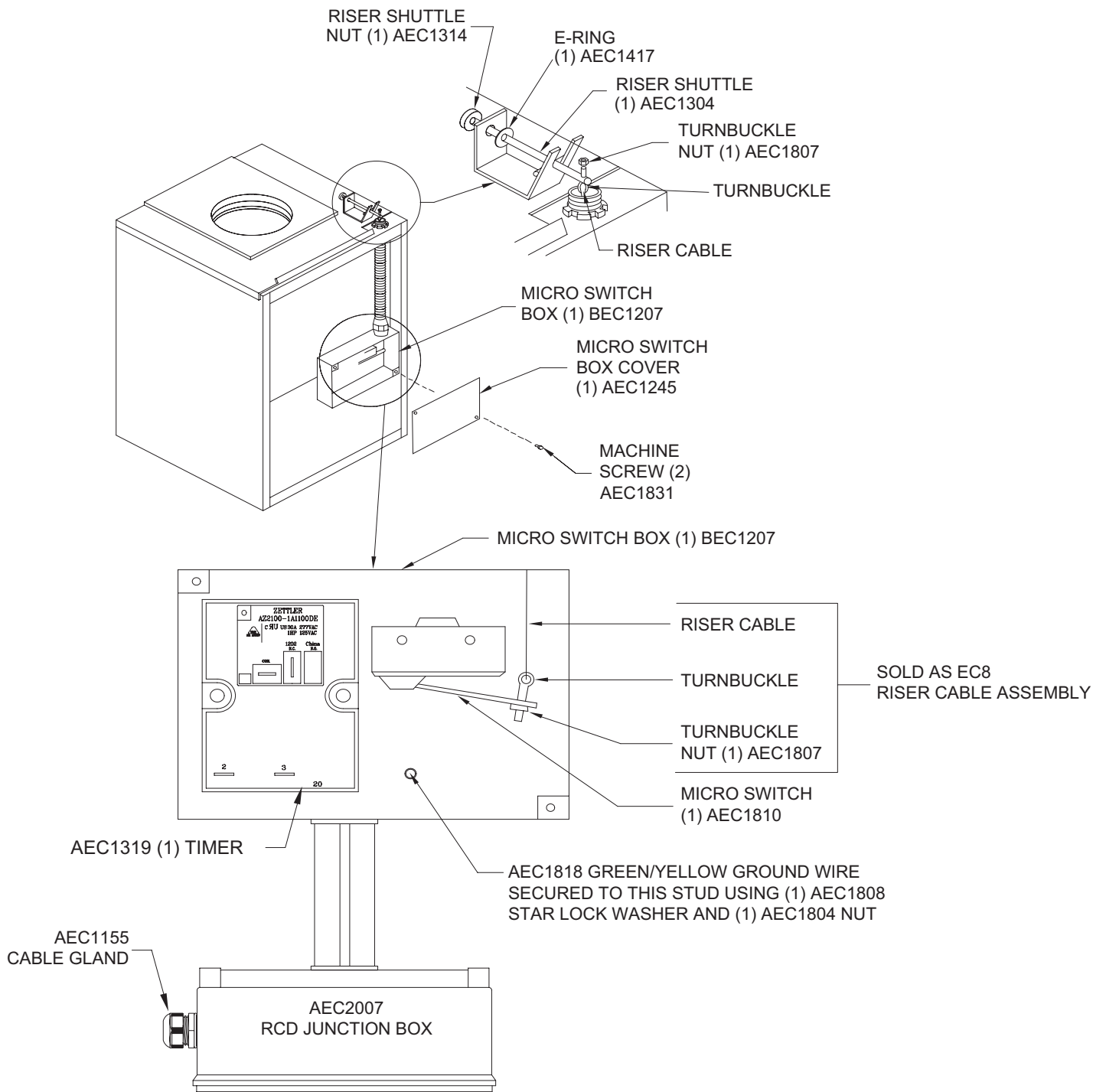
WARNING!

Make certain the foam gasket on the Micro Switch Box Cover is in tact so that water cannot enter the Micro Switch Box.

- 4) Reinstall the SUITMATE® unit to the Wall Mount Bracket. See instructions beginning on Page 19.

Note: *If the Bottom Plate was removed during the above process, reroute and reconnect all electrical and plumbing connections prior to reinstalling the Bottom Plate and reattaching the SUITMATE® unit to the Wall Mount Bracket. Refer to External Plumbing and/or Electrical Service connections in this manual. Refer to Pages 7 and 8 for additional information.*

- 5) Turn on the main electrical power to the unit and retest to assure proper operation. Refer to TESTING AND OPERATION on Page 7.



MICRO SWITCH ADJUSTMENT PROCEDURE

Depress the Lid on the top of the unit and listen for the faint click (activation) of the Micro Switch. If the Micro Switch does not activate or if it activates before the Lid is ¼-inch (6.4mm) from being fully depressed, there is probably a problem with the alignment of the Micro Switch. The following procedure will solve the alignment problem. Please consult the illustration (Page 58) showing the back of the SUITMATE® unit to identify the parts that you will need to recognize.

REMOVE SUITMATE® UNIT FROM THE WALL MOUNT BRACKET

1) Turn off the main electrical power to the unit – place a lockout tag on the circuit breaker panel indicating that the breaker is not to be turned on except by authorized personnel and disconnect the unit before doing any work on the SUITMATE® unit. Simply turning off a switch is NOT enough.

2) Remove the SUITMATE® unit from its Wall Mount Bracket. See instructions beginning on Page 18.

***Note:** If electrical or plumbing connections were routed through the Bottom Plate, it may be necessary to remove the Bottom Plate and disconnect these connections prior to removing the SUITMATE® unit from the Wall Mount Bracket. Refer to External Plumbing and/or Electrical Service connections in this manual. Refer to Pages 7 and 8 for additional information.*

3) Place the unit on its front side and remove the Micro Switch Box Cover to expose the Micro Switch and Riser Cable Assembly by unscrewing the (2) Machine Screws. Place the screws aside for reassembly later.

***NOTE:** Older units may have rivets instead of screws.*

CAUTION!

Make certain the main electrical power to the unit is turned off – and locked out – before beginning work on the SUITMATE® unit.

CHECKING MICRO SWITCH ALIGNMENT

1) Stand the unit upright, and reaching from the rear, push the Lid down on the top of the unit to determine if the Riser Cable that runs from the top of the unit to the Micro Switch arm is pulling on the arm. If there is no movement, the Actuator Screw in the top may be broken and will need to be replaced. See the Lid Assembly section on Page 23 of this manual.

2) If the Cable does pull up on the Micro Switch arm, then the alignment can be adjusted. First, push the Lid down; the Micro Switch should NOT activate (click) until the Lid is approximately ¼ inch (6.4mm) from being totally depressed. Adjust the alignment by tightening (clockwise will activate unit sooner) or loosening (counter clockwise will activate later) the Turnbuckle Nut on the bottom of the Riser Cable until the proper adjustment is obtained. Provide power to the unit and make certain that it is functioning properly.

3) Disconnect the power to the unit.

4) Replace the Micro Switch Box Cover using the (2) Machine Screws removed in step 3 above.

REATTACH THE SUITMATE® UNIT TO WALL

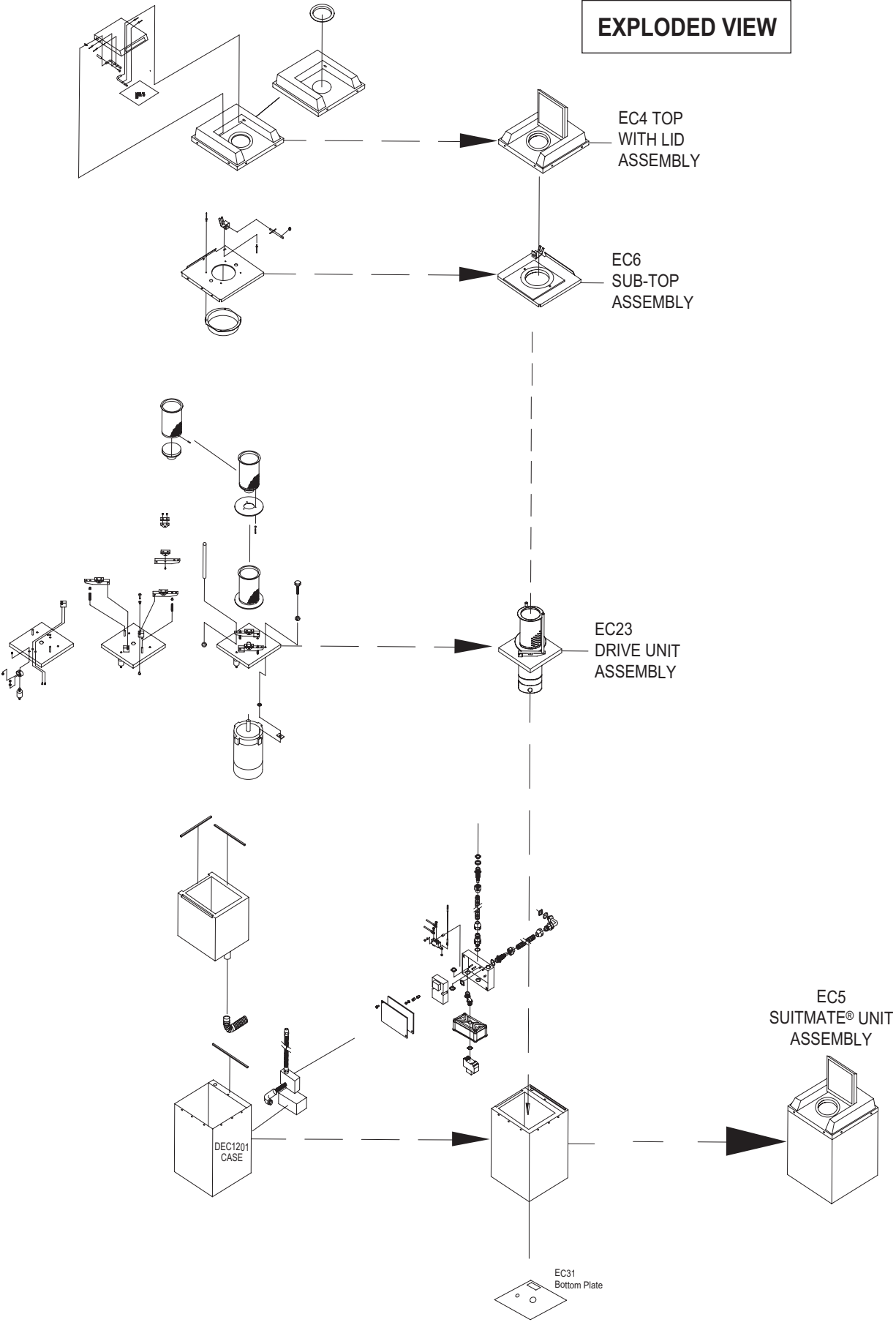
1) Reinstall the SUITMATE® unit to the Wall Mount Bracket. See instructions beginning on Page 19.

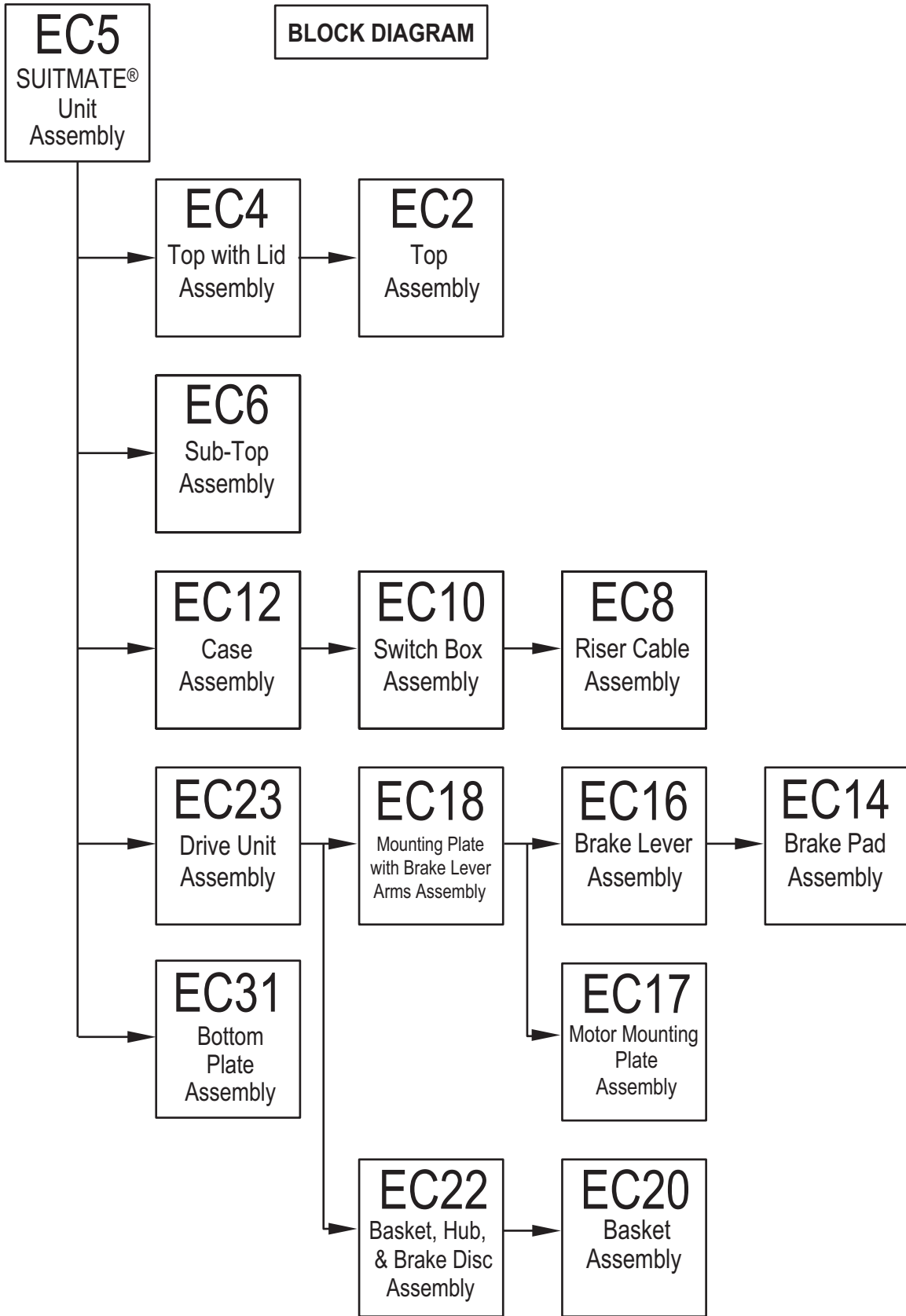
***Note:** If the Bottom Plate was removed during the above process, reroute and reconnect all electrical and plumbing connections prior to reinstalling the Bottom Plate and reattaching the SUITMATE® unit to the Wall Mount Bracket. Refer to External Plumbing and/or Electrical Service connections in this manual. Refer to Pages 7 and 8 for additional information.*

2) Turn on the main electrical power to the unit and retest to assure proper operation. Refer to TESTING AND OPERATION on Page 7.

If you have further difficulties or want additional information, please contact Extractor Corporation at: (Fax) 847-742-3552 or (Email) info@suitmate.com and explain your problem.

EXPLODED VIEW





SUITMATE® UNIT PARTS AND ASSEMBLIES LIST

230-V 13-Amp 50-Hz Self-Timed Unit

PART NUMBER	DESCRIPTION	QUANTITY
EC2	TOP ASSEMBLY	1
EC4	TOP ASSEMBLY WITH LID	1
EC2	TOP ASSEMBLY	1
CEC1402	S.S. LID	1
AEC1354	RUBBER LID BUMPER	2
BEC1403	S.S. HINGE PIN - LEFT	1
BEC1404	S.S. HINGE PIN - RIGHT	1
AEC1410	S.S. RIVET 1/8 X 3/8	4
AEC1416	BLACK O-RING	2
AEC1405	ACTUATOR SCREW - IN LEFT HINGE PIN	1
AEC1704	S.S. LOCK WASHER #8	1
AEC1804	S.S. STUD NUT 6-32	1
AEC1235	LID OPERATING INSTRUCTIONS	1
AEC1234	LIFT LID LABEL	1
AEC1205	BLACK ALUMINUM RIVET	6
EC6	SUB-TOP ASSEMBLY	1
CEC130	S.S. SUB-TOP	1
BEC1303	S.S. RISER BRACKET	1
AEC1305	TEFLON TAPE - (Comes with BEC1303)	1
AEC1208	S.S. RIVET 1/8 X 3/16	3
AEC1824	S.S. SUB-TOP RETAINER RING	1
AEC1208	S.S. RIVET 1/8 X 3/16	4
AEC1352	SUB-TOP GASKET	1
AEC1240	ALUMINUM RIVET 3/16 X 1/8	3
AEC1304	S.S. RISER SHUTTLE	1
AEC1314	S.S. RISER SHUTTLE NUT	1
AEC1418	SHUTTLE SLIDE PIN	1
AEC1417	S.S. E-RING	1

SOLD AS AEC2040

SOLD AS UNIT

SOLD AS AEC2020

PRICES SUBJECT TO CHANGE WITHOUT NOTICE

SUITMATE® UNIT PARTS AND ASSEMBLIES LIST

230-V 13-Amp 50-Hz Self-Timed Unit

PART NUMBER	DESCRIPTION	QUANTITY
EC8	RISER CABLE ASSEMBLY	
AEC1307	RISER CABLE	1
AEC1806	RISER TURNBUCKLE	2
AEC1807	RISER NUT	2
EC10	SWITCH BOX ASSEMBLY	1
EC8	RISER CABLE ASSEMBLY	1
BEC1207	S.S. MICRO-SWITCH BOX	1
AEC1245	S.S. MICRO-SWITCH BOX COVER	1
AEC1250	FOAM GASKET - SWITCH BOX COVER	1
AEC1810	MICRO-SWITCH	1
AEC1809	NYLON STUD SPACER	2
AEC1808	S.S. STAR LOCK WASHER 6/32	2
AEC1804	S.S. STUD NUT 6-32	2
AEC1356	CABLE CONDUIT - PLASTIC	1
AEC1358	CONDUIT CONNECTOR - PLASTIC	1
AEC1214	LOCKNUT	1
AEC1825	4" CABLE TIE	1
AEC1818	9" GROUND WIRE - YELLOW/GREEN	1
AEC1808	STAR LOCK WASHER 6/32	1
AEC1805	14" HOT WIRE - BLACK	1
AEC1804	STUD NUT 6-32	1
AEC1812	GROUND LABEL	1
AEC1828	MICRO-SWITCH SCREW W/ STAR LOCK WASHER	2
AEC1319	SOLID STATE TIMER	1
AEC1804	STUD NUT 6-32	2
AEC1808	S.S STAR LOCK WASHER	2
AEC1809	NYLON STUD SPACER	4
AEC1838	BLACK WIRE - 16.5" W/ INSULATED CONNECTOR, TINNED	1
AEC1841	WHITE WIRE - 15" W/ INSULATED CONNECTOR	1
AEC1842	BLACK WIRE - 31" W/ INSULATED CONNECTOR	1

PRICES SUBJECT TO CHANGE WITHOUT NOTICE

SUITMATE® UNIT PARTS AND ASSEMBLIES LIST

230-V 13-Amp 50-Hz Self-Timed Unit

PART NUMBER	DESCRIPTION	QUANTITY
EC10	SWITCH BOX ASSEMBLY - CONTINUED	
AEC1843	BLACK WIRE - 8" W/ INSULATED CONNECTOR	1
AEC1831	MACHINE SCREW 6/32 X 3/8	2
EC12	CASE ASSEMBLY	1
EC10	SWITCH BOX ASSEMBLY	1
DEC1201	S.S. CASE	1
DEC1213	BLACK PLASTIC LINER	1
AEC1243	FOAM STRIP SEAL (ON BACK TOP OF CASE)	1
AEC1244	FOAM STRIP SEAL (ON TOP OF LINER)	4
AEC1823	S.S. RIVET 5/32 X 1/8	3
AEC1358	CONDUIT CONNECTOR - PLASTIC	1
AEC1214	LOCKNUT	1
EC14	BRAKE PAD ASSEMBLY	2
AEC1607	BRAKE PAD SUPPORT	1
AEC1608	BRAKE PAD	1
AEC1208	S.S. RIVET 1/8 X 1/16	2
EC16	BRAKE LEVER ASSEMBLY	2
EC14	BRAKE PAD ASSEMBLY	1
AEC1602	BRAKE LEVER ARM	1
AEC1208	S.S. RIVET 1/8 X 1/16	2
EC17	MOTOR MOUNTING PLATE ASSEMBLY	1
CEC1501	MOTOR MOUNTING PLATE	1
AEC1512	BRAKE SPRING GUIDE PIN	1
AEC1502	MOTOR SHAFT PROTECTOR	1
AEC1601	BRAKE SUPPORT BRACKET	2
AEC1823	S.S. RIVET 5/32 X 1/8	4
AEC1223	SHOCK BUMPER RING	3
AEC1228	S.S. FLAT WASHER #10	3

PRICES SUBJECT TO CHANGE WITHOUT NOTICE

SUITMATE® UNIT PARTS AND ASSEMBLIES LIST

230-V 13-Amp 50-Hz Self-Timed Unit

PART NUMBER	DESCRIPTION	QUANTITY
EC17	MOTOR MOUNTING PLATE ASSEMBLY - CONTINUED	
AEC1206	S.S. RIVET 3/16 X 1/4	3
AEC1202	BLACK SHOCK MOUNT	3
AEC1224	S.S. NUT 5/16	3
EC18	MOUNTING PLATE / BRAKE LEVERS ASSEMBLY	1
EC17	MOTOR MOUNTING PLATE ASSEMBLY	1
EC16	BRAKE LEVER ASSEMBLY	2
AEC1614	BRAKE HINGE PIN	2
AEC1603	WHITE PLASTIC BUSHING	4
AEC1827	NYLON WASHER	4
AEC1823	S.S. RIVET 5/32 X 1/8	2
AEC1612	S.S. COMPRESSION SPRING	2
AEC1609	S.S. FLAT WASHER 1/4	2
AEC1603	WHITE PLASTIC BUSHING	2
EC20	BASKET AND HUB ASSEMBLY	1
EC22	BASKET AND BRAKE DISC ASSEMBLY	1
EC20	BASKET AND HUB ASSEMBLY	1
BEC1702	S.S. BRAKE DISC	1
AEC1703	S.S. PAN HEAD SCREW 8-32 X 1/2	3
AEC1704	S.S. LOCK WASHER #8	3
EC23	DRIVE UNIT ASSEMBLY - 230 VOLT / 50 HZ	1
EC18	MOUNTING PLATE / BRAKE LEVERS ASSEMBLY	1
EC22	BASKET AND DISC BRAKE ASSEMBLY	1
BEC2001	MOTOR - 230 VOLT / 50 HZ	1
AEC1504	MOTOR MOUNT SPACER	3
AEC1822	SPECIAL ALUMINUM SPACER	1
AEC1505	S.S. HEX HEAD BOLT 3/8 - 16 X 3/4	4
AEC1203	S.S. SPLIT LOCK WASHER 3/8	4

PRICES SUBJECT TO CHANGE WITHOUT NOTICE

SUITMATE® UNIT PARTS AND ASSEMBLIES LIST

230-V 13-Amp 50-Hz Self-Timed Unit

PART NUMBER	DESCRIPTION	QUANTITY
EC23	DRIVE UNIT ASSEMBLY - 230 VOLT / 50 HZ - CONTINUED	
AEC1506	HUB ROLL PIN	1
AEC1620	THREADED S.S. BRAKE ROD	2
AEC1622	SHORT COMPRESSION SPRING	2
AEC1624	SS NYLOK LOCKNUT 1/4 - 20	2
<i>SOLD AS AEC2030</i>		
EC31	BOTTOM PLATE ASSEMBLY - 230 VOLT / 50 HZ	1
AEC1139	BOTTOM PLATE W/ LOUVRES	1
AEC1140	ELECTRICAL CONDUIT PLUG	1
AEC1141	DRAIN HOSE PLUG	1
AEC1142	ELECTRICAL CONDUIT GROMMET	1
AEC1143	DRAIN HOSE GROMMET	1
AEC1144	"THIS SIDE OUT" LABEL	1
AEC1145	"THIS SIDE IN" LABEL	1
AEC1146	RIVET NUT	6
AEC1147	8/32 x 1/25 PHILLIPS SCREW	6
AEC1704	S.S. LOCK WASHER #8	6
EC5	SUITMATE ASSEMBLY - 230 VOLT / 50 HZ	
EC31	BOTTOM PLATE ASSEMBLY	1
EC12	CASE ASSEMBLY	1
EC23	DRIVE UNIT ASSEMBLY	1
EC6	SUB-TOP ASSEMBLY	1
EC4	TOP ASSEMBLY WITH LID	1
AEC1231	SUITMATE COLOR STRIP	1
AEC1605	RUBBER BRAKE TIP	2
AEC2007	RCD JUNCTION BOX	1
AEC2001	RCD JUNCTION BOX COVER & PLASTIC FASTENERS	4
AEC1155	CABLE GLAND CONNECTOR	1
AEC2011	RCD TERMINAL - 230 VOLT / 50 HZ (GREEN GROUNDING BAR)	1
AEC1812	GROUND LABELS - ON GREEN GROUNDING BAR	5
AEC2009	RCD - 230 VOLT / 50 HZ	1

PRICES SUBJECT TO CHANGE WITHOUT NOTICE

SUITMATE® UNIT PARTS AND ASSEMBLIES LIST

230-V 13-Amp 50-Hz Self-Timed Unit

PART NUMBER	DESCRIPTION	QUANTITY
EC5	SUITMATE ASSEMBLY - 230 VOLT / 50 HZ - CONTINUED	
AEC2005	RCD MOUNTING BRACKET & SCREWS	1
AEC2010	RCD "L" & "N" LABELS	1
AEC1232	RCD JUNCTION BOX LABEL - 230 VOLT / 50 HZ	1
AEC2006	SPECIAL RCD JUNCTION BOX MOUNTING BRACKET	1
AEC1415	#910 O-RING	1
AEC1208	S.S. RIVET 1/8 X 1/16	1
AEC1204	S.S. RIVET 1/8 X 3/16	1
AEC1212	OFFSET CONNECTOR	1
AEC1214	CONDUIT LOCKNUT	2
AEC1357	CABLE CONDUIT - PLASTIC	1
AEC1360	CONDUIT CONNECTOR - 90° - PLASTIC	1
AEC1358	CONDUIT CONNECTOR - STRAIGHT - PLASTIC	1
AEC1214	LOCKNUT	1
AEC1820	31" GROUND WIRE - YELLOW/GREEN	1
AEC1846	35 3/4" WHITE WIRE	1
AEC1830	INSULATED CONNECTOR	2
AEC1819	FLANGE FORK CONNECTOR	2
AEC2008	S.S LOCK WASHER #10	1
AEC1224	S.S. NUT - 5/16 (3)	3
AEC1238	S.S. SPLIT LOCK WASHER 5/16	3
AEC1248	BLACK DRAIN HOSE	1
AEC1249	S.S. HOSE CLAMP	1
AEC1171	REAR CHANNEL 13 1/4" FOAM STRIP (THIN)	1
AEC2081	SERIAL NUMBER IDENTIFICATION LABEL	1
MOTOR PARTS		
AEC1905	MOTOR SWITCH	1
AEC1906	MOTOR CAPACITOR	1
AEC1907	MOTOR END FRAME	1
AEC1908	MOTOR THERMAL BREAKER	1

PRICES SUBJECT TO CHANGE WITHOUT NOTICE

SUITMATE® UNIT PARTS AND ASSEMBLIES LIST

230-V 13-Amp 50-Hz Self-Timed Unit

PART NUMBER	DESCRIPTION	QUANTITY
MOTOR PARTS - CONTINUED		
AEC1909	MOTOR BEARING	1
AEC1910	MOTOR END CAP	1
OTHER SUITMATE PARTS AND KITS		
AEC1102	S.S. WALL MOUNT BRACKET	1
AEC2104	INSTALLATION MANUAL	1
AEC1108	WALL SIGN	1

PRICES SUBJECT TO CHANGE WITHOUT NOTICE

Extractor Corporation

685 Martin Drive
Post Office Box 99
South Elgin, Illinois 60177
USA

Fax: (847) 742-3552
Email: info@suitmate.com