

Recreation Supply Company

P.O. Box 2757 Bismarck, ND 58502-2757

Please fax completed forms to:

800-850-0262

or

701-255-7895

**If you need assistance filling out the forms please call us at
800-437-8072 or 701-222-4860.**



AQUATIC ACCESS INC.

POOL AND SPA DIMENSIONAL WORKSHEET

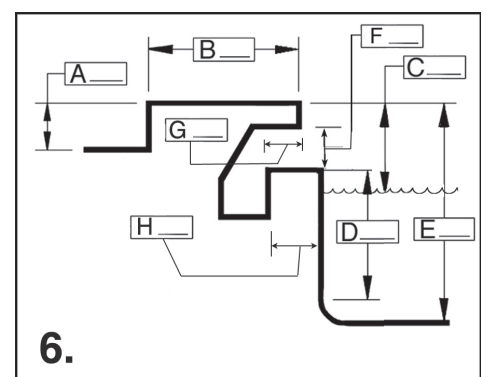
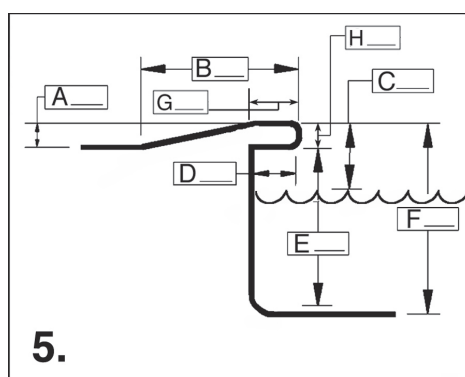
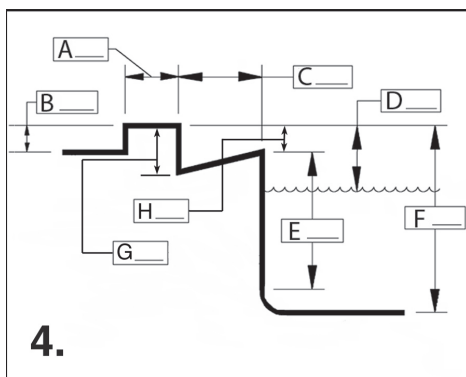
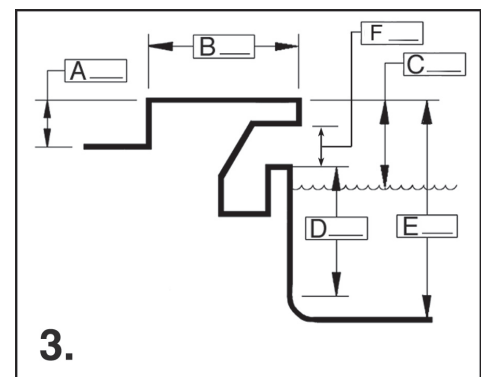
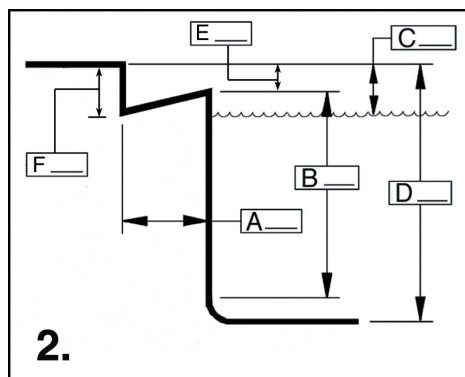
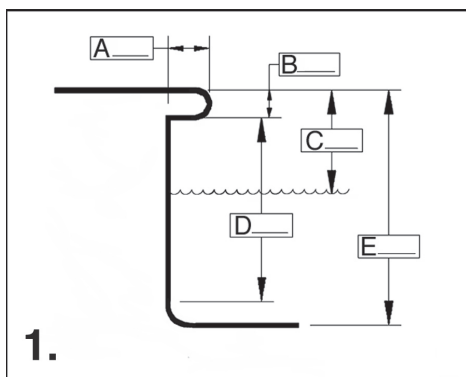
Please complete a dimensional worksheet for each lift ordered. We need these details and dimensions in order to build a lift that fits correctly while remaining compact and lightweight. Remember to allow open space between the lift and the pool corner or other obstruction to the lift's and/or seat's rotation, as well as room for any mobility device beside the lift. Allow 36" for IGAT models. Consult for manual-turn models. Always confirm socket location with Aquatic Access engineers or instruction manual before installing socket.

I. INFORMATION FOR ALL INSTALLATIONS

1. What is the composition of the deck around the pool? _____
2. Is the deck around the pool flat or sloping? Estimate angle of slope. _____
3. Is there a vinyl liner in the pool? YES NO
4. Is the pool deck on a solid foundation or is there a void beneath? _____ If there is a void, how thick is the floor? _____
5. Does the pool have an automatic pool cover? YES NO
6. Is the pool indoors? YES NO If yes, how high is the ceiling? _____
7. Is this location on city water? YES NO
8. What is the weight of the heaviest user of the lift? _____

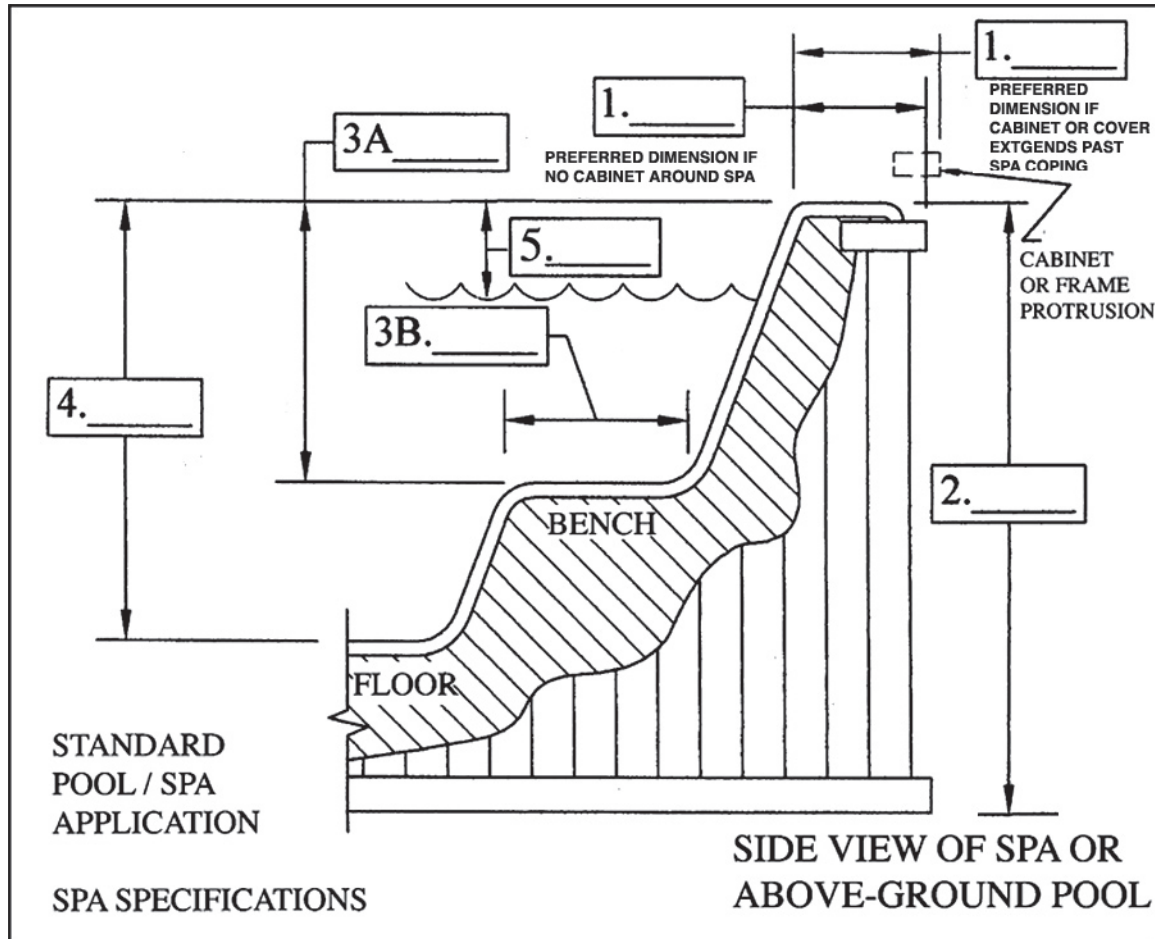
II. DIMENSIONAL INFORMATION FOR IN-GROUND POOLS

Select the pool profile drawing that best matches your pool and fill in the requested measurements. If none of these profiles represent your pool, please make a detailed sketch with the pertinent measurements.



III. DIMENSIONAL INFORMATION FOR ABOVE-GROUND POOLS AND SPAS

If the lift is being ordered for an above-ground pool or spa, please supply the measurements below. Leave blank if measurements do not apply to your pool or spa.



IV. SEAT ORIENTATION FOR IGMT, IGRC, SPA LIFTS and ABOVE-GROUND UNITS

For Manual Lifts, Above-Ground Pools, Spas, and for Inground Lifts IGRC and IGMT, please provide seat orientation information by checking desired seat-mounting below:

- RIGHT-FACING** -- Cylinder always to right of seat
- LEFT-FACING** -- Cylinder always to left of seat
- FORWARD-FACING** -- Cylinder always behind seat - required for a spa with a built-in bench seat all around so the user's feet come down in the center of the spa.

V. CONTACT INFORMATION

Contact Person _____ Company Name _____
 Address _____
 Ph. _____ Fax _____ E-Mail _____

MAIL OR FAX COMPLETED FORM TO:

AquaticAccess.com 417 Dorsey Way, Louisville, KY 40223 USA Ph.502-425-5817 Fax 502-425-9607 **800-325-5438**