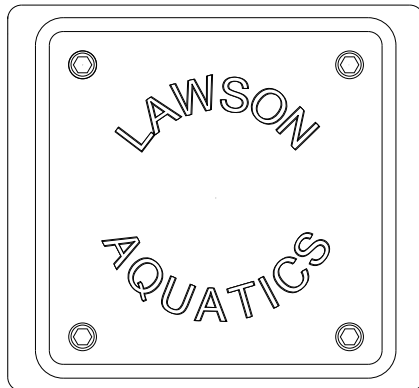


EXCLUSIVE DESIGN!

The only fitting for floor that is flush and safe underfoot.

FEATURES

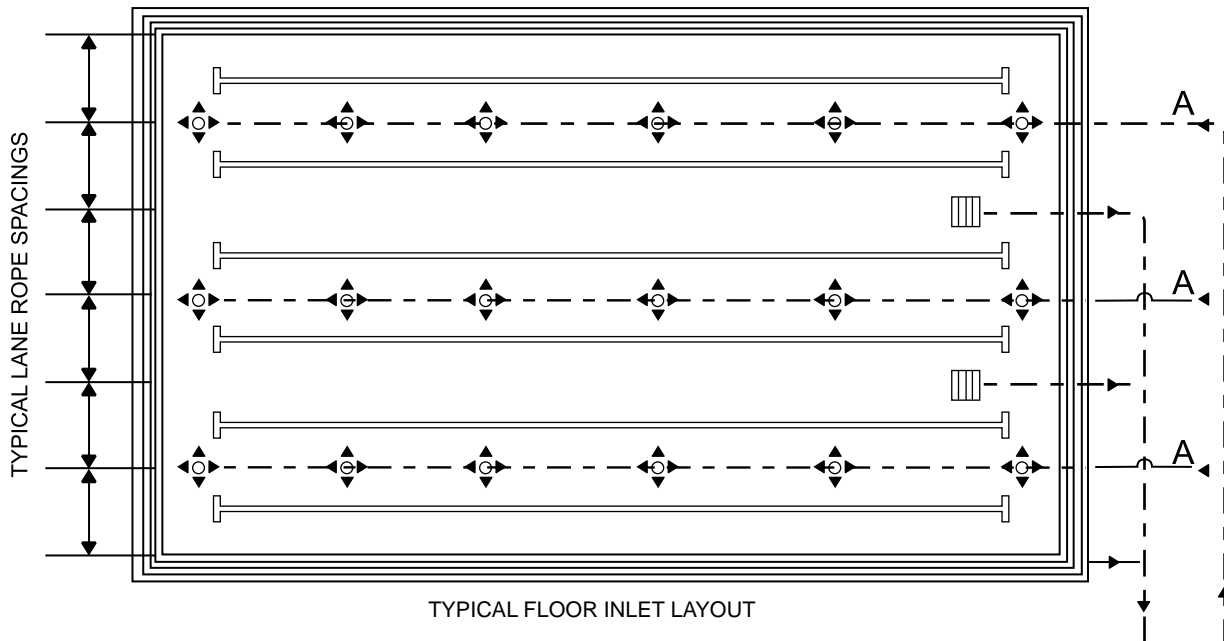
- The only inlets that are NSF listed. For NSF test results see tables below.
- The only non-protruding flush-mount inlet
- Suitable for both 2" or 1.5" inlets
- Maximum flow open area equal to 2" pipe size—minimum head loss at full flow
- Minimum flow area is one half that of a 1.5" pipe enabling adequate restriction on both 2" & 1.5" pipe flows.
- Does not block with debris.
- Blanking plate provided for pressure testing
- Available in black, white and bone
- 1-1/2" or 2" slip fitting



MAXIMUM 2ft HEAD LOSS / 100ft LENGTH OF HEADER PIPE. 1.5" & 2" Plumbing Option

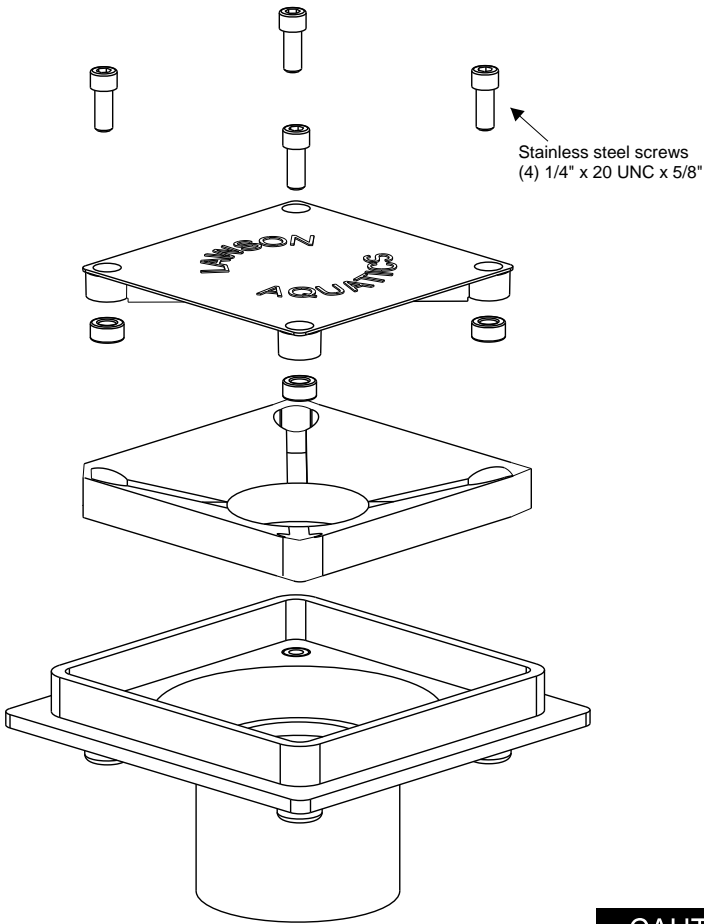
INLET	OPEN	RECOMMENDED DESIGN FLOW	INLET VELOCITY	INLET HEAD LOSS
2"	3 mm	70 gpm	12 ft/sec	1.0 PSI
	2 mm	50 gpm	8 ft/sec	0.5 PSI
	1.5 mm	35 gpm	5 ft/sec	0.3 PSI
1 1/2"	3 mm	45 gpm	7 ft/sec	0.5 PSI
	2 mm	30 gpm	5 ft/sec	0.3 PSI
	1.5 mm	20 gpm	3 ft/sec	0.2 PSI

TABLE A



FLOOR

ADJUSTABLE INLET MLD-FI-360



WARNING / ATTENTION / AVISO

This product **MUST ONLY BE USED** as a pool floor inlet fitting.

DO NOT USE...

- as a suction outlet
- as a drain or outlet cover
- unless bolts are tight and grate is not broken, cracked or warped.



Not following these guidelines can be hazardous and result in serious injury or death.

SPECIFICATIONS

DESCRIPTION	SIZE	5" X 5"
	MATERIAL	PVC
	SURFACE	NON-SKID SURFACE
	COLOR	WHITE, BLACK, BONE

CAUTION

The fitting fasteners must be observed for damage or tampering before each use of this facility and or at least annually.

