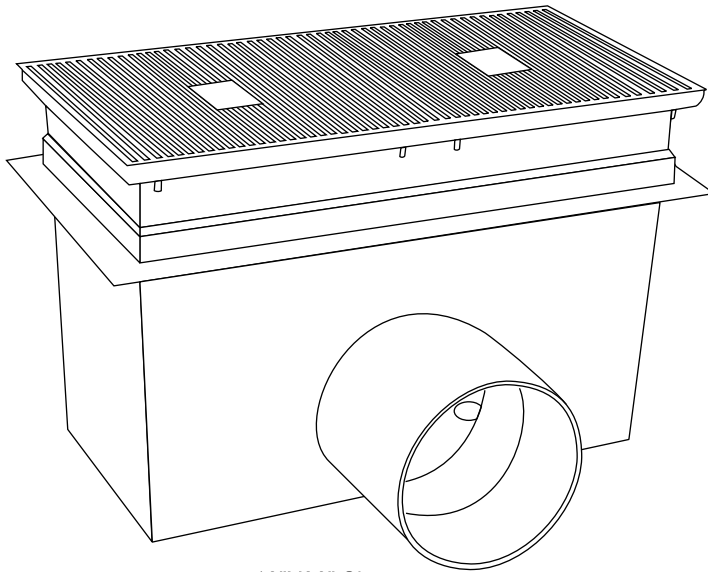


Lawson Aquatics offers standard-size fiberglass main drain sumps with unblockable PVC grating for areas 18" x 36" and larger. Each 18" x 18" grate offers a 54% open area with the highest flow rate (SuperFlow™).



18"X36" Shown

The fiberglass sump is fabricated using 8oz. of fiberglass mat, marine quality resin and colored gel coat. The gel coat is only applied to the inside of the sump. The wall thickness is approximately .19" +/- .01". 2" FRP Waterstop glassed onto sump

**FIBERGLASS SUMPS**  
**18X36 • 18X54 • 18X72**

**FEATURES**

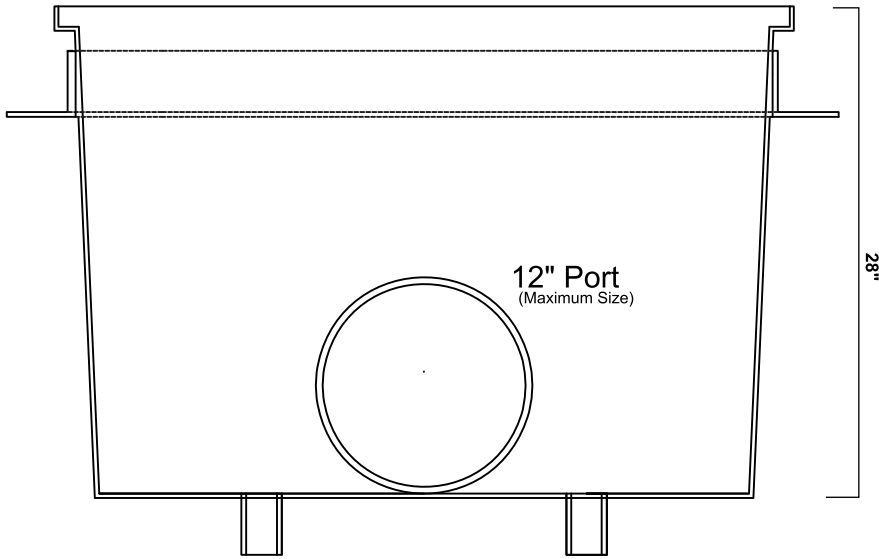
- For single unblockable drains
- Wall or Floor installation
- ASME-2007 Compliant (Larger sizes available in 18" increments)
- Connections can either be threaded for 8" and smaller, flanged or couplings.
- Plumbing connection are configured and customized to your piping schematics.
- Grating available in black or white.
- 10 Year Warranty

**Specifications**

| SIZES                   |       | 18"x36"x15" | 18"x36"x24" | 18"x36"x24"(F2) | 18"x36"x28" | 18"x36"x28"(F2) |
|-------------------------|-------|-------------|-------------|-----------------|-------------|-----------------|
| FLOW RATE (GPM)         | FLOOR | 2080        | 2080        | 2401            | 2080        | 2401            |
|                         | WALL  | 1496        | 1496        | N/A             | 1496        | N/A             |
| OPEN AREA (square inch) |       | 343.44      | 343.44      | 343.44          | 343.44      | 343.44          |



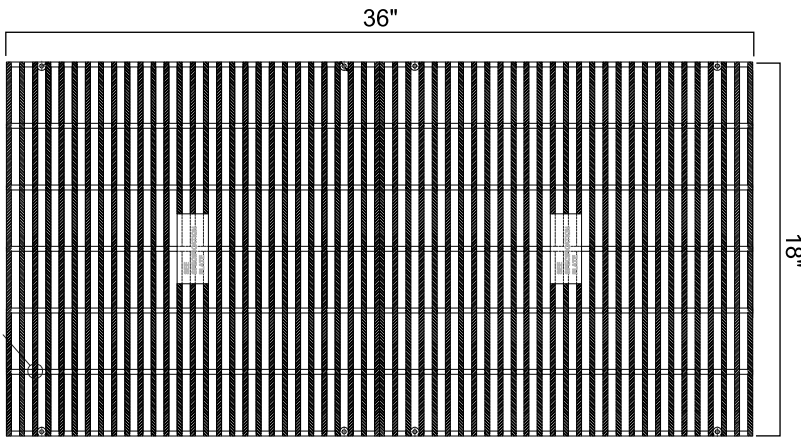
**FI-SG-1836-28**  
FIBERGLASS SUMP & GRATE



2-2" SCH 40 FEMALE ADAPTERS

**SPECIFICATIONS**

|             |                         |                           |
|-------------|-------------------------|---------------------------|
| DESCRIPTION | SIZE                    | 18"X 36"X 28"             |
|             | MODEL                   | FI-SG-1836-28             |
|             | MATERIAL                | FIBERGLASS                |
| COLOR       | SUMP                    | WHITE (Sanitary gel coat) |
| FLOW RATE   | FLOOR                   | 2080                      |
|             | WALL                    | 1496                      |
|             | OPEN AREA (square inch) | 343.44                    |



**SPECIFICATIONS**

|             |                         |             |
|-------------|-------------------------|-------------|
| DESCRIPTION | SIZE                    | 18"X 36"    |
|             | MODEL                   |             |
|             | MATERIAL                | PVC         |
| COLOR       | GRATE                   | WHITE/BLACK |
| FLOW RATE   | FLOOR                   | 2080        |
|             | WALL                    | 1496        |
|             | OPEN AREA (square inch) | 343.44      |

**MEETS OR EXCEEDS:**

- ASTM G-154, 750 HOURS UV
- ASTM C-1028 STATIC COEFFICIENT OF FRICTION, WET AND DRY
- ASTM E-661092 LOAD TO FAILURE AND DEFLECTION

