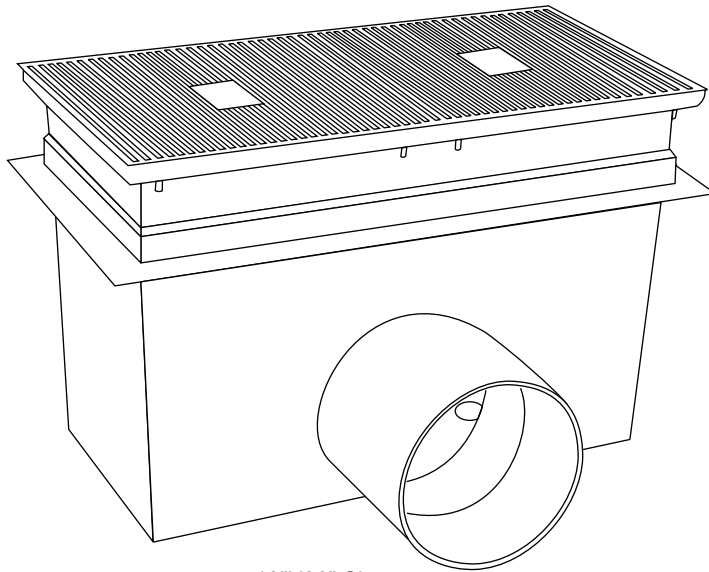


Lawson Aquatics offers standard-size fiberglass main drain sumps with unblockable PVC grating for areas 18" x 36" and larger. Each 18" x 18" grate offers a 54% open area with the highest flow rate (SuperFlow™).



18"X36" Shown

The fiberglass sump is fabricated using 8oz. of fiberglass mat, marine quality resin and colored gel coat. The gel coat is only applied to the inside of the sump. The wall thickness is approximately .19" +/- .01". 2" FRP Waterstop glassed onto sump

FIBERGLASS SUMPS
18X36 • 18X54 • 18X72

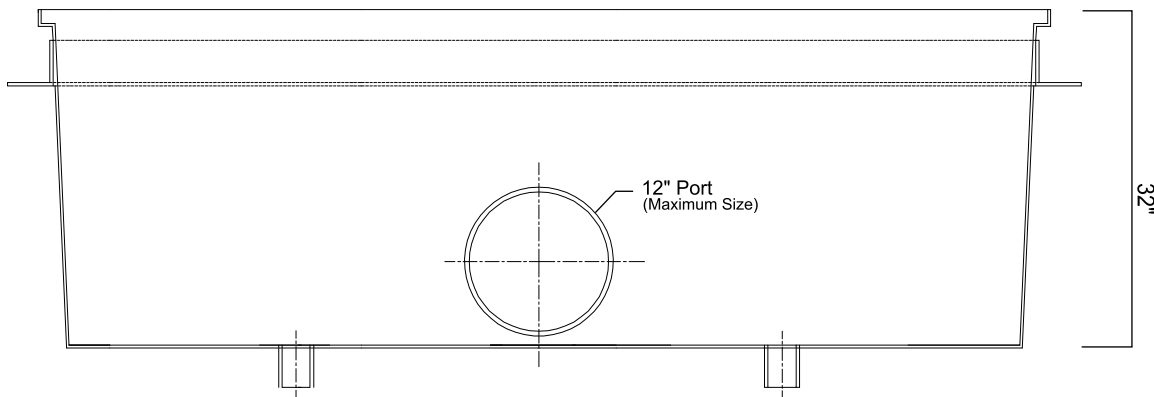
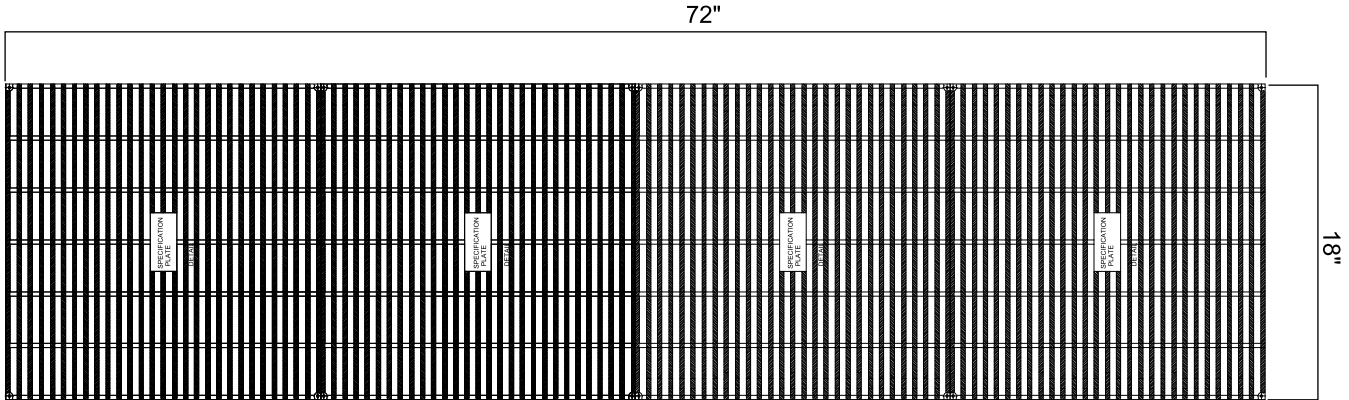
FEATURES

- For single unblockable drains
- Wall or Floor installation
- ASME-2007 Compliant (Larger sizes available in 18" increments)
- Connections can either be threaded for 8" and smaller, flanged or couplings.
- Plumbing connection are configured and customized to your piping schematics.
- Grating available in black or white.
- 10 Year Warranty

Specifications

SIZES		18"x72"x28"(F2)	18"x72"x32"(F2)
FLOW RATE (GPM)	FLOOR	4518	4518
	WALL	N/A	N/A
OPEN AREA (square inch)		686.88	686.88





SUMP SPECIFICATIONS

DESCRIPTION	SIZE	18"X 72" X 32"
	MODEL	FI-SG-1872-32F2
	MATERIAL	FIBERGLASS
COLOR	SUMP	WHITE (Sanitary gel coat)
	FLOOR	4518
FLOW RATE	WALL	NA
	OPEN AREA (square inch)	686.88

GRATE SPECIFICATIONS

DESCRIPTION	SIZE	18"X 72"
	MODEL	
	MATERIAL	PVC
COLOR	GRATE	WHITE/BLACK
	FLOOR	4518
FLOW RATE	WALL	NA
	OPEN AREA (square inch)	686.88

MEETS OR EXCEEDS:

- ASTM G-154, 750 HOURS UV
- ASTM C-1028 STATIC COEFFICIENT OF FRICTION, WET AND DRY
- ASTM E-661092 LOAD TO FAILURE AND DEFLECTION

