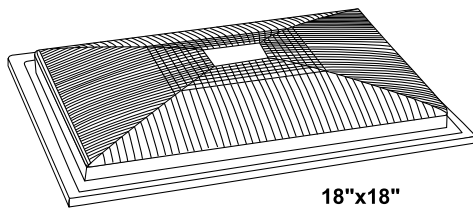


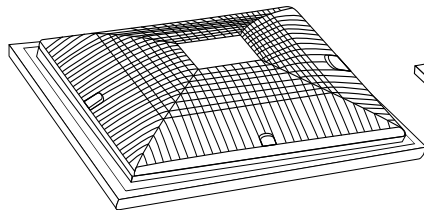
The domed SuperFlow™ main drain grating is unique since it has the capability to maintain a flow rate of 816 GPM, (18"x18"), 365 GPM, (12"x12") and 261 GPM ("9x9").

Blockable Main Drains

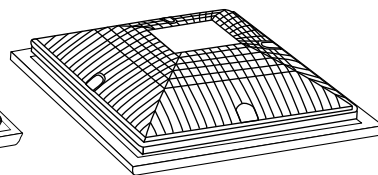
(ASME-2007-Defined as any cover/grate smaller than 18" x 23", usually manufactured in sizes of 9"x9", 12"x12", and 18"x18".)



18"x18"
Model #MLD-FGD-1818



12"x12"
Model #MLD-FGD-1818



9"x9"
Model #MLD-FGD-0909

SuperFlow™

(Patent Pending # 12/156,414)

The only ASME-2007 and NSF LISTED main drain that is easy to replace and doesn't require any complicated retrofitting!

FEATURES

- Open grate area of 54%—allowing for a maximum flow rate (see chart below)
- ASME-2007 & NSF LISTED (9" x 9", 12" x 12" and 18"x18")
- UV and strength tested under ASME A112.19.8.2007
- A raised, cross-ridged profile for non-slip—and water penetration if blocked.
- Available in both white and black
- 10 Year Warranty

SIZES		9"X9"	12"X12"	18"x18"
FLOW RATE (GPM)	FLOOR	261	365	816
	WALL	248	340	712
OPEN AREA (square inch)		42.12	81.30	183.06

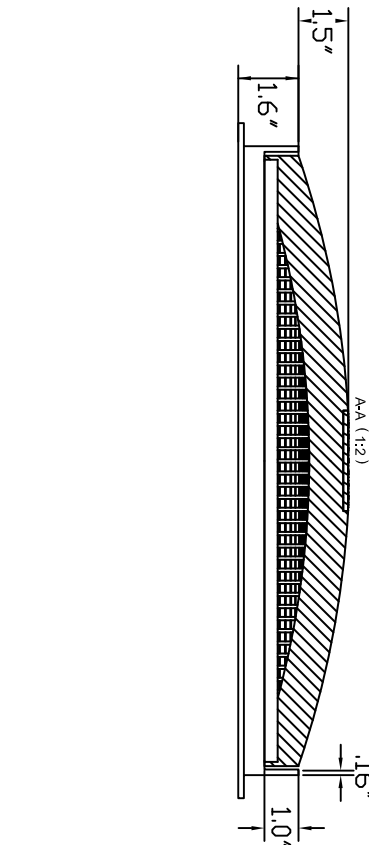
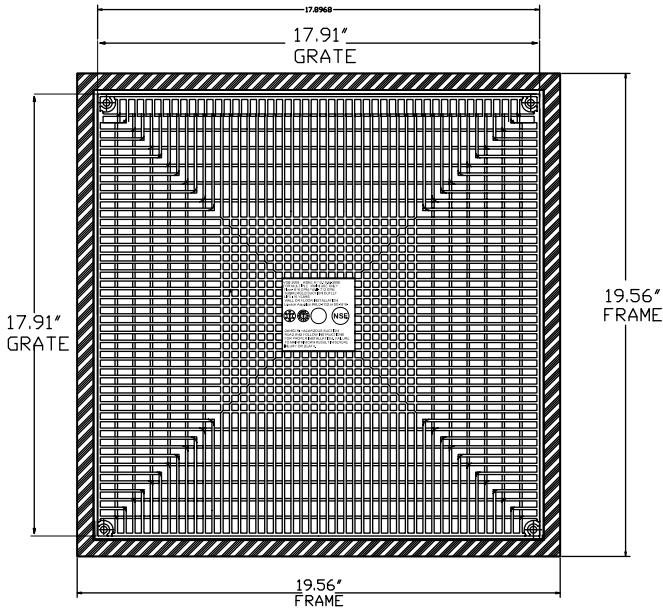


MLD-FGD-1818

18"X18" SUCTION OUTLET COVER

This product has been certified to comply with section #1404 of the Virginia Graeme Baker (VGBA) Pool & Spa Safety Act.

Further information can be obtained by visiting www.lawsonaquatics.com and/or <http://www.lawsonaquatics.com/certification.htm>



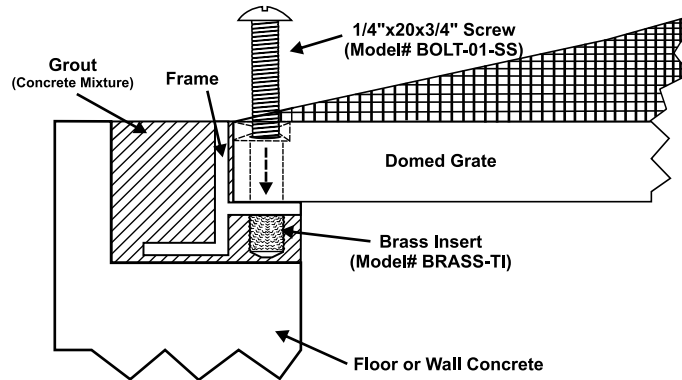
SPECIFICATIONS

DESCRIPTION	SIZE	18"X18"	Tested to ANSI/ASME 112.19.82007(addendum 8a2008) per Section 1404 of the Virginia Graeme Baker Act (VGB) Pool & Spa Safety Act-December 2008
	MODEL	MLD-FGD-1818	
	MATERIAL	PVC	
COLOR	GRATE	WHITE/BLACK	Certified by NSF International 789 N. Dixboro Road Ann Arbor, MI 48113-0140 (USA): 800-NSF- MARK (+1) 734-769-8010
FLOW RATE	FLOOR	816	
	WALL	712	
	OPEN AREA (square inch)	183.06	



FASTENING

Use the fasteners provided to insure a minimum of 3 complete turns into the receiving material or inserts. Ensure screw heads are flush.



CAUTION: The suction fitting fasteners must be observed for damage or tampering before each use of this facility and or at least annually.

IDENTIFICATION

DATE OF MANUFACTURE:

The born-on date is shown on each product as follows:
The first dial shows the year of manufacture (ex: 2009) and the second dial shows the month of manufacture (ex: December).



GRATES MUST BE REPLACED AFTER 10 YEARS

Manufactured by Lawson Aquatics Inc.