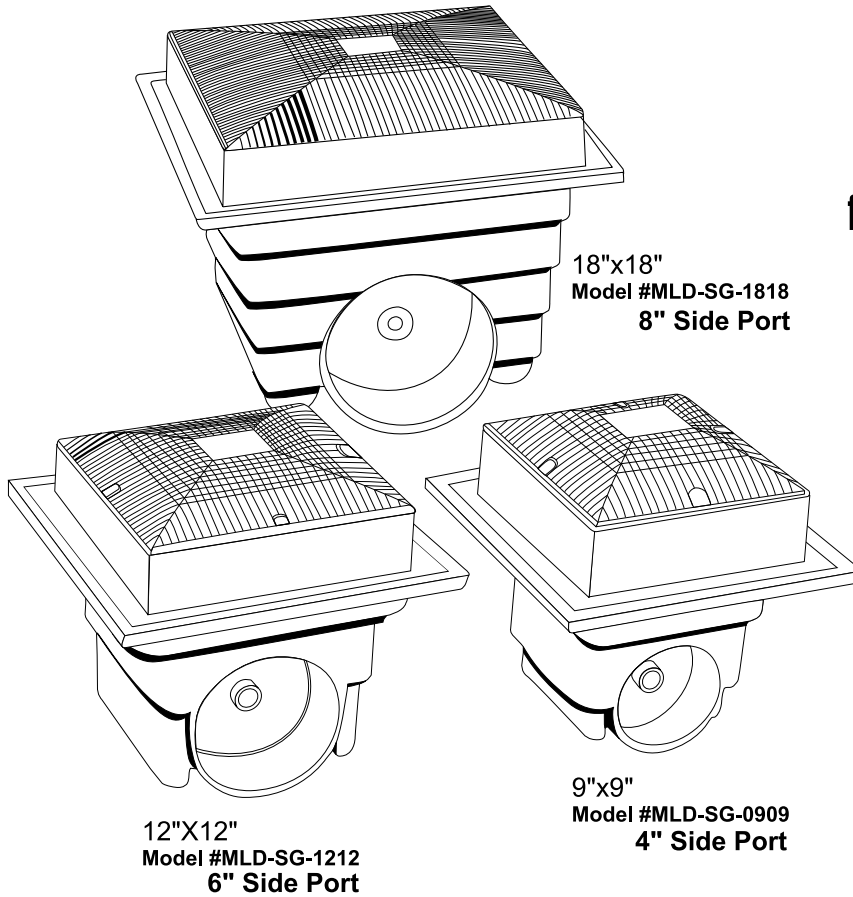


Only Lawson Aquatics, Inc. has SuperSump™—VGB-2008-certified main drain & grates with a super flow rate and a unique top profile design that provides extreme comfort under foot. Easy to install and no special tools or complicated retrofitting required. Ask your distributor for the number one brand in main drains and grates—Lawson Aquatics.



# SuperSump™

## Removes the need for field-built Sump Certification

### FEATURES

- Open grate area of 54%—allowing for a maximum flow rate (see chart below)
- Internal plumbing fittings instead of external. Allows stacking and avoids breaking off or cracking during shipment, pressure testing or handling.
- 1/3 of the cost of fiberglass & 1/4 the cost of stainless steel.
- Unique built-in water stop with two vertical extensions. Prevents water passing over the flange.
- A solid one-piece, injection-molded unit. Less expensive than fabricated PVC sheets, stainless steel or fiberglass.
- Tapered body for strength—allows for water expansion during freezing, and easily stacks to reduce storage space and shipping costs.
- Premium hardware stainless steel screws and brass inserts
- 10 Year Warranty
- Sumps available in White; Grates available in black or white

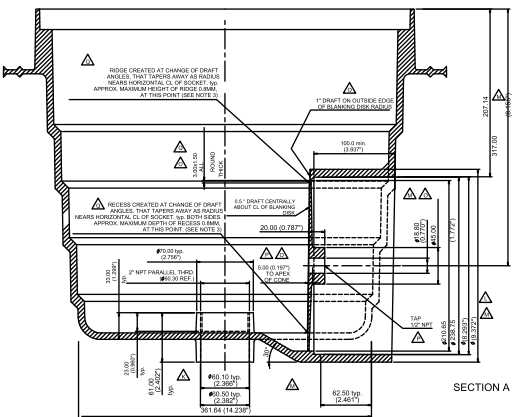
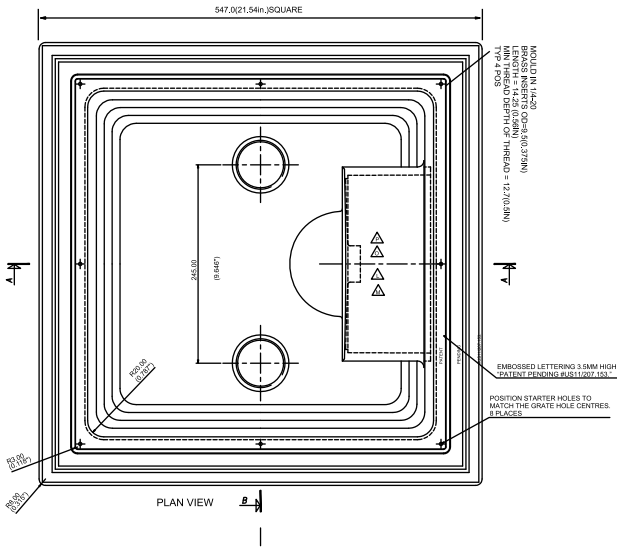
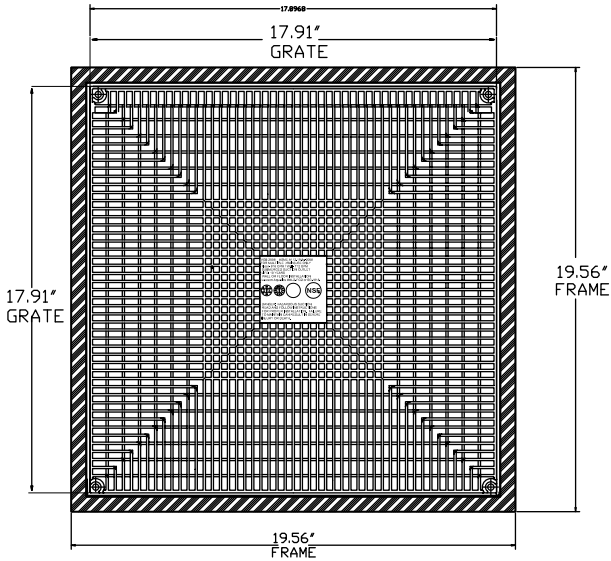
SIZES		9"x9"	12"x12"	18"x18"
FLOW RATE (GPM)	FLOOR	261	365	816
	WALL	248	340	712
OPEN AREA (square inch)		42.12	81.30	183.06



### 18"X18" SUMP & SUCTION OUTLET COVER

This product has been certified to comply with section #1404 of the Virginia Graeme Baker (VGBA) Pool & Spa Safety Act.

Further information can be obtained by visiting [www.lawsonaquatics.com](http://www.lawsonaquatics.com) and/or <http://www.lawsonaquatics.com/certification.htm>



### SPECIFICATIONS

DESCRIPTION	SIZE	18"X18"
MODEL	MLD-SG-1818	
MATERIAL	PVC	
SIDE PORT	8"	
COLOR	SUMP	WHITE
GRATE	WHITE/BLACK	
FLOW RATE	FLOOR	816
WALL	712	
OPEN AREA (square inch)	183.06	

Tested to ANSI/ASME 112.19.82007(addendum 8a2008) per Section 1404 of the Virginia Graeme Baker Act (VGB) Pool & Spa Safety Act-December 2008

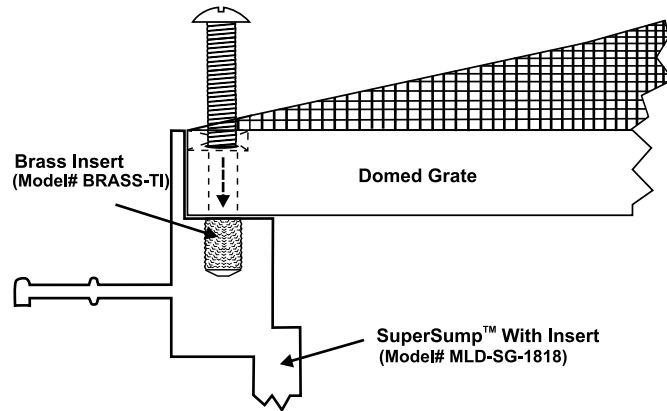
Certified by NSF International 789 N. Dixboro Road Ann Arbor, MI 48113-0140

(USA): 800-NSF- MARK (+1) 734-769-8010



### FASTENING

Use the fasteners provided to insure a minimum of 3 complete turns into the receiving material or inserts. Ensure screw heads are flush.



**CAUTION:** The suction fitting fasteners must be observed for damage or tampering before each use of this facility and or at least annually.

### IDENTIFICATION

#### DATE OF MANUFACTURE:

The born-on date is shown on each product as follows:  
The first dial shows the year of manufacture (ex: 2009) and the second dial shows the month of manufacture (ex: December).



**GRATES MUST BE REPLACED AFTER 10 YEARS**

Manufactured by Lawson Aquatics Inc.