

Recreation Supply Company

P.O. Box 2757 Bismarck, ND 58502-2757

Please fax completed forms to:

800-850-0262

or

701-255-7895

**If you need assistance filling out the forms please call us at
800-437-8072 or 701-222-4860.**



ORDER INFORMATION SHEET FOR KDI PARAGON STARTING PLATFORMS

This form is to be used in conjunction with data sheets or the charts and information contained in our Equipment Catalog and should be included with your purchase order. If you need assistance in completing this form, please call our customer service department at 845-452-5500.

DATE: _____

1. **DISTRIBUTOR INFORMATION:** COMPANY NAME: _____

PHONE: _____ FAX: _____ CONTACT: _____

2. **END USER INFORMATION:** FACILITY, COMPANY, OR INSTITUTION: _____

ADDRESS: _____ CITY/STATE _____ ZIP _____

PHONE: _____ FAX: _____ CONTACT: _____

3. **RULING BODY:** RULINGS THAT GOVERN COMPETITIVE SWIMMING FOR THIS FACILITY

(SELECT ONE OR MORE) FINA NCAA NFHS USAS USMS

IMPORTANT! PLEASE CHECK YOUR LOCAL, MUNICIPAL, AND STATE ORDINANCES OR REGULATIONS AS THEY MAY VARY FROM THE RULINGS LISTED ABOVE.

⚠ WARNING
Starting platforms are intended solely for use in competitive swimming and training under the supervision of qualified swimming instructors.

4. **DEPTH OF WATER:** AT STARTING PLATFORM LOCATION _____ Feet _____ Inches

NOTE: This is the measured distance from the pool wall as specified by the applicable ruling body. It is recommended that starting platforms be installed at the deep end of the pool where possible.

5. **STARTING PLATFORM HEIGHT (DETERMINE "A" DIMENSION)**

DESIRED HEIGHT ABOVE WATER: (Inches) _____

(DEDUCT) DECK TO WATER MEASUREMENT: (Inches) (-) _____

"A" DIMENSION: (calculation in inches) = _____

6. **ANCHOR LOCATION:** (To Centerline) "B" DIMENSION

DECK WIDTH (From Pool Wall): _____ Feet _____ Inches

SELECT STANDARD "B" DIMENSION _____ Inches (From Data Sheets or Equipment Catalog Charts)

NOTE: The center of the anchor socket should not be located closer than 5" to joints, trenches, curbs, drains or anything else that disrupts the continuity of the slab.

7. **GUTTER PROFILE** (See Dwg. PR-1350)

ARE ANCHORS PRE-SET? YES NO

GUTTER TYPE 1 2 3 4 OTHER

8. **PLATFORM STYLE :** SINGLE LEG DOUBLE LEGGED

9. **ANCHOR SYSTEM:** (If Single Leg) PARAFLYTE QUICKSET

10. **OPTIONAL FEATURES:** (Check All That Apply)

TILT TOP, FLAT TOP, MOUNTING STEP (Varsity)

11. **PLATFORMS TO BE NUMBERED** _____ **THROUGH** _____

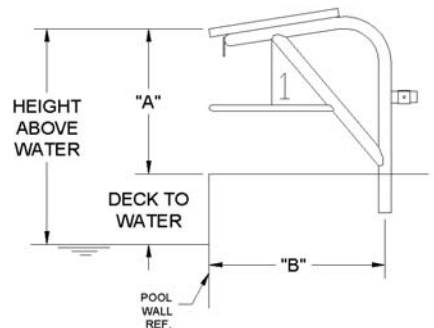
12. **SPECIAL REQUIREMENTS:** _____

13. **INFORMATION PROVIDED BY:** _____ **OF** _____

(COMPETITOR STARTING PLATFORM FOR EXAMPLE PURPOSES ONLY)

STARTING PLATFORM HEIGHT ABOVE WATER			
Water Depth (Ft.)	Less than	4	4 1/2
	Equal or More Than		4 1/2
Ruling Body SP Height Above Water (In.)	FEDERATION INTERNATIONALE DE NATATION (FINA)	No Starting Platform	20 - 29 1/2
	NATIONAL COLLEGIATE ATHLETIC ASSOCIATION (NCAA)	N/A	30 MAX
	U.S.A. SWIMMING (USAS)	No Starting Platform	20 - 29-1/2 L.C 30 Max S.C.
	U.S. MASTERS SWIMMING (USMS)		
	NATIONAL FEDERATION OF STATE HIGH SCHOOL ASSOCIATIONS (NFHS)		
MEASUREMENTS	RULING BODY	FROM POOL WALL	
	FINA	1 TO 6 METERS (3'-3 1/2" TO 19'-2")	
	NCAA	NOT SPECIFIED	
	USAS	FROM 3'-3 1/2" TO 16'-5"	
	USMS	FROM 3'-3 1/2" TO 16'-5"	
	NFHS	NOT SPECIFIED	

- In November 2001, NFHS eliminated the option to use starting platforms in pools with water depth from 3 1/2 to less than 4 feet. Although consideration was being made by NFHS to change the minimum water depth to 5 feet, NFHS confirmed in April 2002 that the 4 foot minimum requirement for starting platforms will continue to be in effect for the 2002-2003 high school swimming season.
- Effective January 1, 2003, USA Swimming eliminated the option to use starting platforms in pools with water depth from 3 1/2 to less than 4 feet.
- US Masters Swimming will be updating their ruling to eliminate the use of starting platforms in water depths less than 4 feet.



ORDER INFORMATION: MODEL NUMBER SELECTED BASED ON INFORMATION ABOVE

ID NUMBER	PRODUCT DESCRIPTION	QTY	S.O. #

KDI CUSTOMER SERVICE REP: _____ **DATE** _____