

Recreation Supply Company

P.O. Box 2757 Bismarck, ND 58502-2757

Please fax completed forms to:

800-850-0262

or

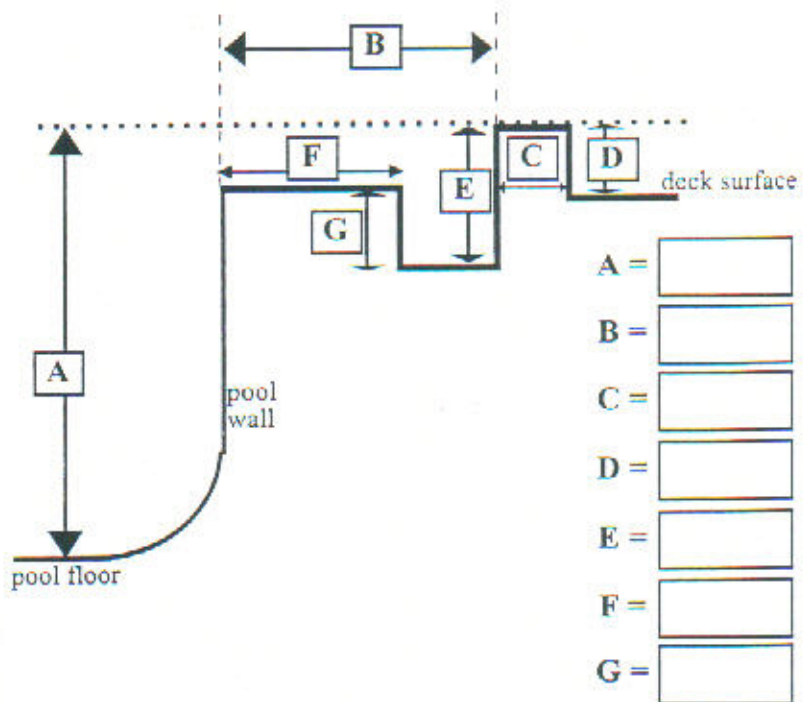
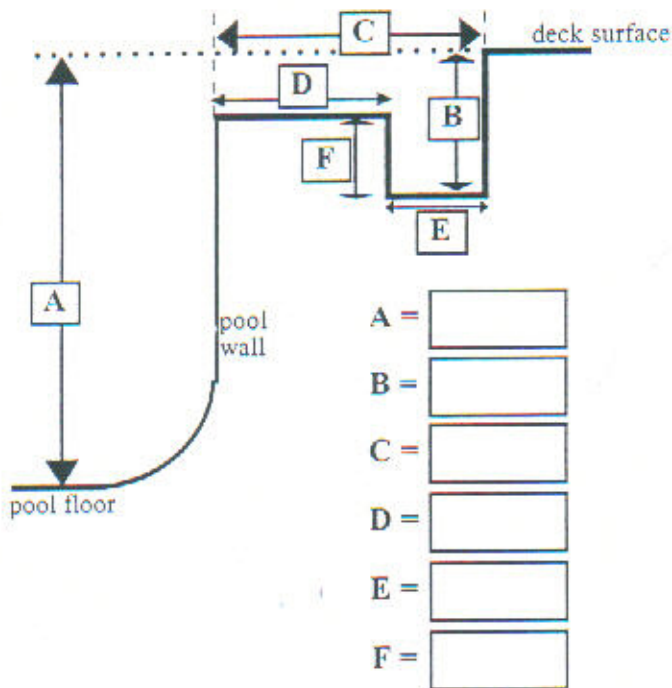
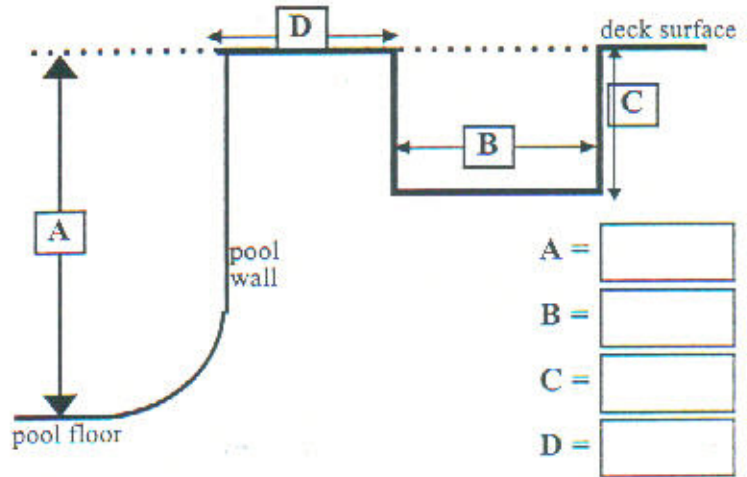
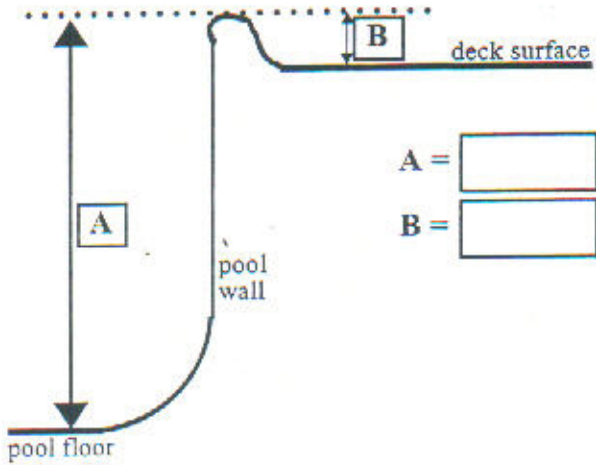
701-255-7895

**If you need assistance filling out the forms please call us at
800-437-8072 or 701-222-4860.**

Gutter Detail Form

Locate the gutter detail drawing on this page that matches your gutter configuration. If your gutter configuration does not match a drawing currently on this form, then please draw your gutter configuration. Measure all the dimensions of your pool's gutter. Follow the gutter detail drawings as examples of what to measure. Input your gutter measurements into the appropriate gutter detail drawing provided or your own gutter detail drawing.

Important: Make sure measurement "A" is from the pool floor to deck height along the pool wall and NOT the water depth.

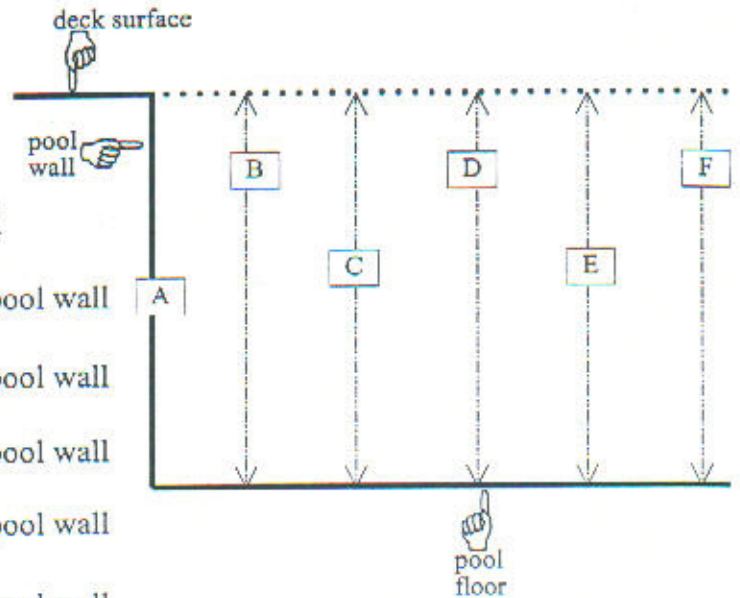


Pool Profile Form

Example #1: Right Angle

If the wall of your pool and the floor of your pool meet at a right angle, then use this formula below. Please fill in the necessary blanks with the appropriate measurements for your pool.

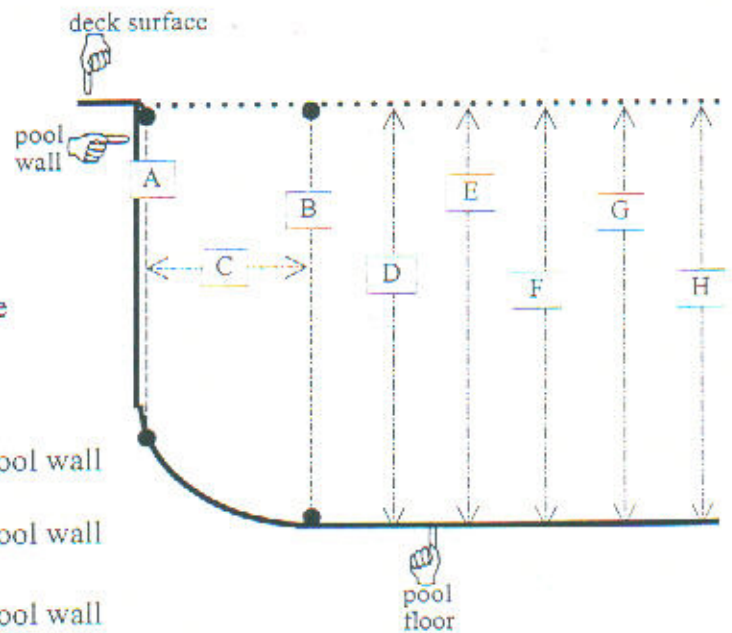
- A** = _____ from deck to pool floor at the pool wall
- B** = _____ from deck to pool floor at 2' from the pool wall
- C** = _____ from deck to pool floor at 3' from the pool wall
- D** = _____ from deck to pool floor at 4' from the pool wall
- E** = _____ from deck to pool floor at 5' from the pool wall
- F** = _____ from deck to pool floor at 6' from the pool wall



Example #2: Curved

If the wall of your pool and the floor of your pool meet on a curve, then use this formula below. Please fill in the necessary blanks with the appropriate measurements for your pool.

- A** = _____ from the deck to the top of the curve
- B** = _____ from the deck to the bottom of the curve
- C** = _____ distance between A and B
- D** = _____ from deck to pool floor at 2' from the pool wall
- E** = _____ from deck to pool floor at 3' from the pool wall
- F** = _____ from deck to pool floor at 4' from the pool wall
- G** = _____ from deck to pool floor at 5' from the pool wall
- H** = _____ from deck to pool floor at 6' from the pool wall



Extra Details:

Will the access system run parallel to the pool lanes or run across the pool lanes? (check one)

- _____ parallel to lanes
- _____ across

Is this a vinyl lined pool? (check one)

- _____ yes
- _____ no