

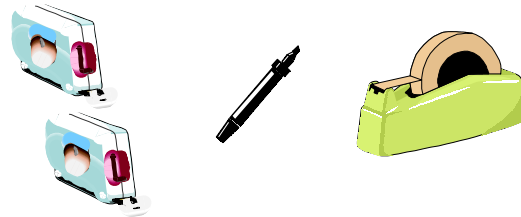
EASY LADDER®

Instructions for measuring your pool for the EASY LADDER®

Before You Begin

You will need the following items:

- two measuring tapes
- a marker
- tape



6 Easy Steps to Measuring Your Pool for an EASY LADDER

Read the following directions on page 2 thoroughly before beginning. Taking these measurements will ensure a proper fit & should only take approximately 15-20 minutes from start to finish. Once completed, we should be able to determine the following:

- The slope of the pool floor underneath the area you are going to use the Easy Ladder
- The radius (if any) of the bottom curve where the pool floor and wall connects.
- The distance between the deck's surface and the water level (if any).
- Unique features of the pool coping stone such as a raised lip, drains, etc.,

Once completed, fax or mail only pages 3, 4 & 5 along with any additional sketches or drawings you may need to include.

If you need additional assistance or if you have any questions, please give us a call!




Fast-Fax

1 - 315 - 422 - 7629
24hours a day 7 days a week



US Mail

Triad Technologies, Inc.
Attn.: Order Processing
105 Spencer Street
Syracuse, New York 13204-1333

 **Note: It is important that you make all measurements using a calm water surface to ensure accuracy.**

Step 1


Determine the location where you would like to place the Easy Ladder and mark it with tape. You will make all measurements from this location. We recommend that you do not remove the tape until the Easy Ladder is installed to be sure that it is placed in that exact same location for which it was trimmed.

Step 2

On page 3, choose either **figure 1a** or **figure 1b** to record the pool depth at the four corners where the Easy Ladder will touch the pool floor. These four points, are 12" and 30" away from the pool wall and 30" apart for a side mounted installation (see fig. 1a), or 21 1/2" along each wall if you will be placing your Easy Ladder in a corner of your pool (see fig.1b).

Using the two measuring tapes, place the first one against the pool wall at the water surface level and measure straight out across the water surface to 12". At that point, measure straight down to the pool floor and record the number in the appropriate blank circle. Then, from the same location on the pool wall, measure out to 30" and follow the same procedure, recording the distance from the water surface to the pool floor in the appropriate blank circle. Next, move over 30" and repeat the above steps to determine the remaining dimensions.

Step 3

 **NOTE: The measurements in Figure 2 do not need to be taken if your pool wall and floor meet at a 90° angle (sharp corner).**

On the bottom of page 3, the measurements needed in **Figure 2** will allow us to determine the shape of the bottom corner radius of your pool floor. **It is important that you use a calm water level when taking these measurements.**

First, measure out 2" from the pool wall and then record the distance from that point to the pool floor. Do this in increments of 2" until you have measured out 12" and have 6 separate measurements.

The last measurement is out 30" from the pool wall and is used to double check the measurements taken in step 2.

Step 4

The final set of measurements needed on page 5 will be used to determine the deck configuration including how far above the water level it is. There are several types of deck configurations. In **Figure 3**, we have drawn 5 of the most common types. Select the diagram(s) that most closely fits your pool. If your deck is different in any way, make a sketch and attach it.

Step 5 & 6

Follow the instructions given on page 5.

 **Note: If you encounter any difficulty please give us a call!**

Step 2

CHOOSE ONE

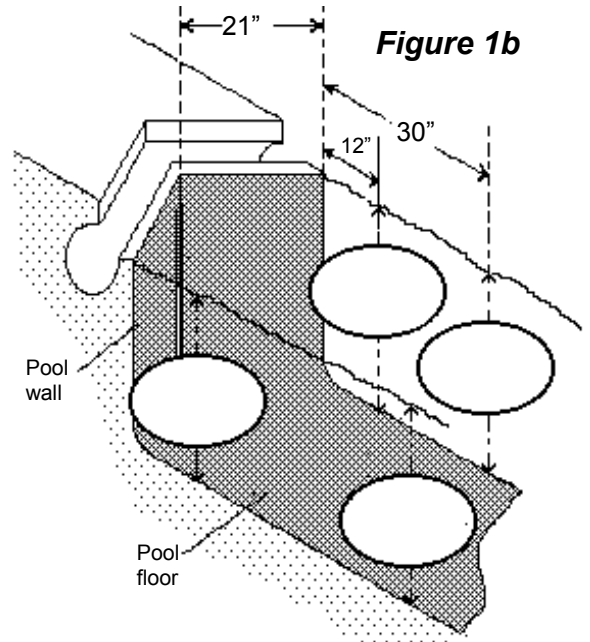
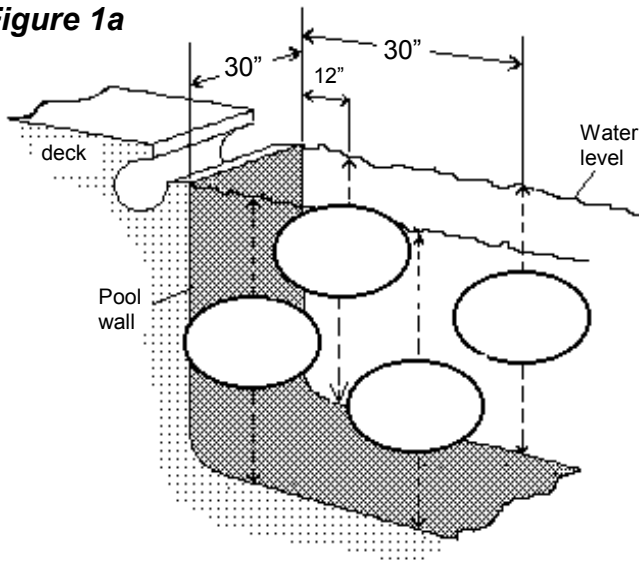
SIDE MOUNT INSTALLATION

CORNER MOUNT INSTALLATION

OR

Figure 1a

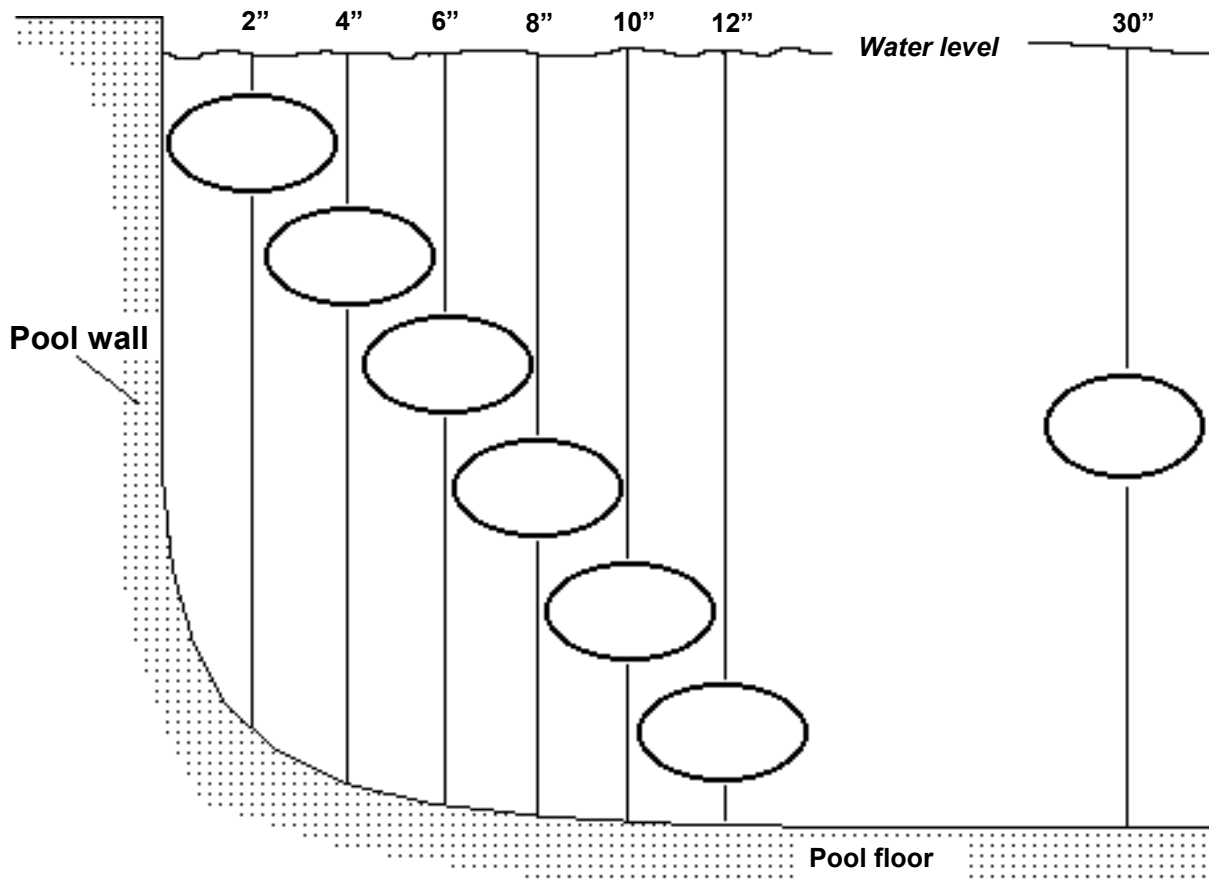
Figure 1b



Note: Water surface must be calm when taking the above measurements!

Step 3

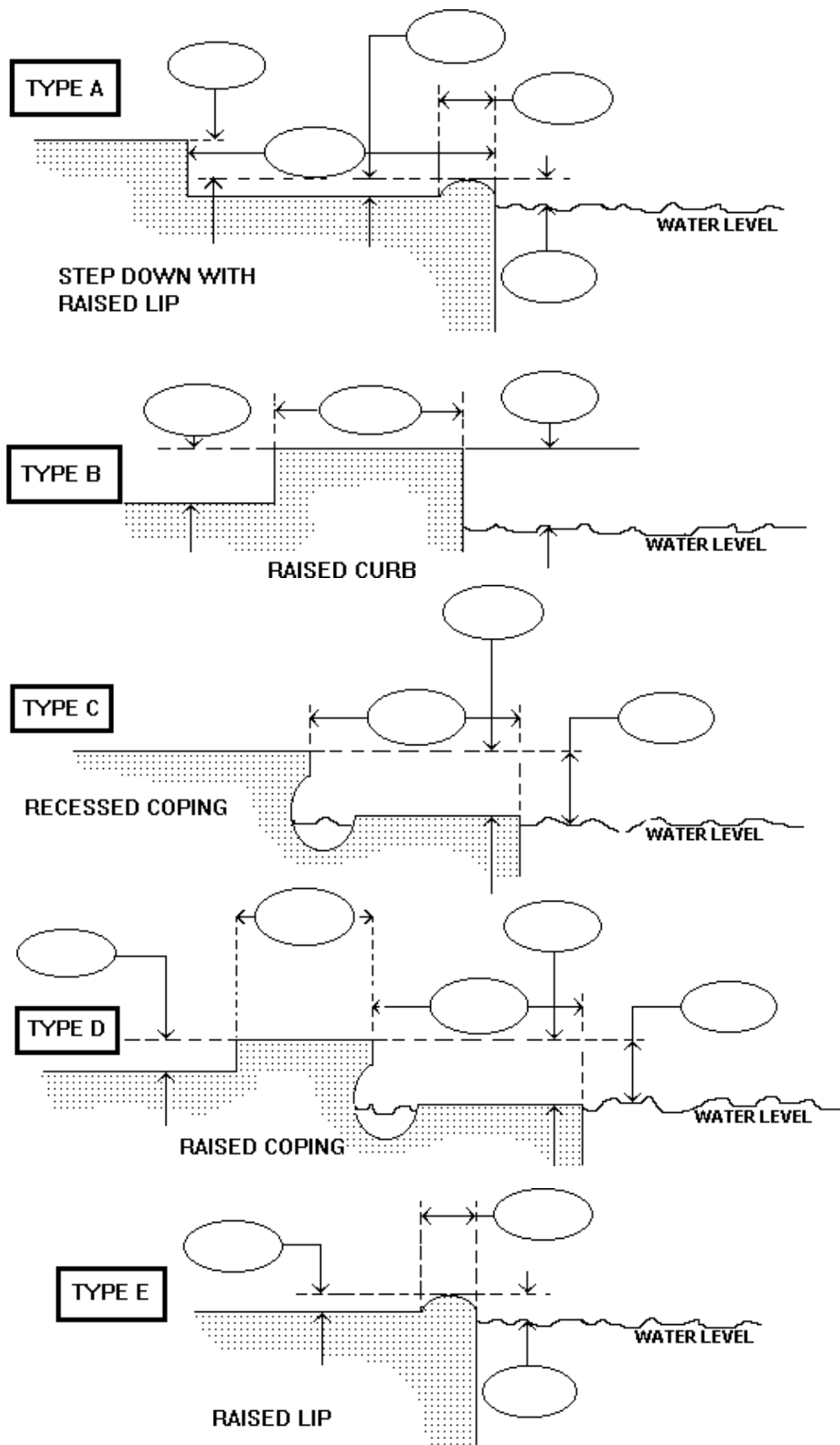
Figure 2



Note: Water surface must be calm when taking the above measurements!

Step 4

Figure 3



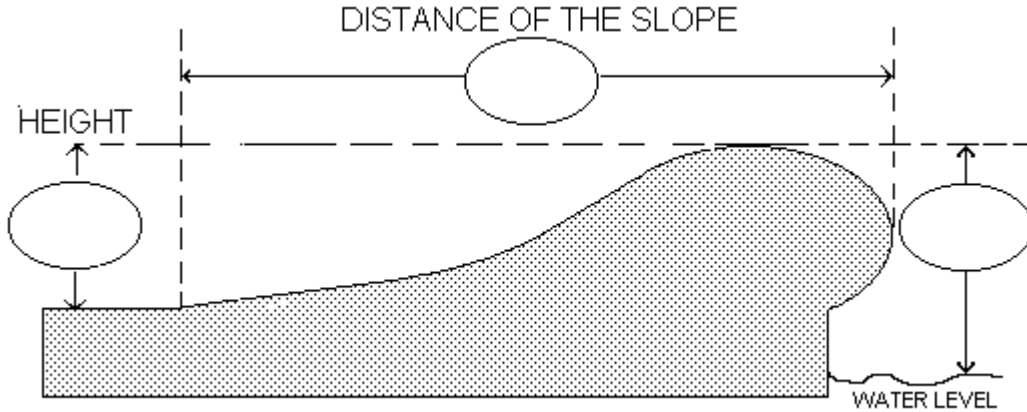
Note: If your deck configuration is not listed, please draw it on a separate sheet!

Step 5

Is there a raised lip at the edge of your deck? *(must check one)* YES NO *(If no, skip to step 6)*

If YES, take the following measurements to determine the depth & height. If your deck has any additional raised or recessed areas not shown in this sample drawing, attach a sketch.

Figure 4



Step 6

Color Selection - Choose between **Light Blue** or **OSHA Yellow**. *(Custom colors are available at an additional charge- Contact dealer for details).*

Light Blue

OSHA Yellow

Does this pool have a vinyl liner? *(must check one)* YES NO

We thoroughly check all measurements over before we begin trimming each unit. we believe there is something not right, we will call you. If everything looks right, we will go ahead and prepare your unit. Please provide the name and phone number of the person(s) who completed these measurements ***(must be filled in completely)***:

Name:

Telephone #: () - ext.: Fax #: () -

Best time to call: time zone:

Would you prefer that we call you even if the measurements you give us seem to be all right?

YES NO

👉 When completed, fax or mail only pages 3, 4 & 5 along with any sketches that you may have drawn.