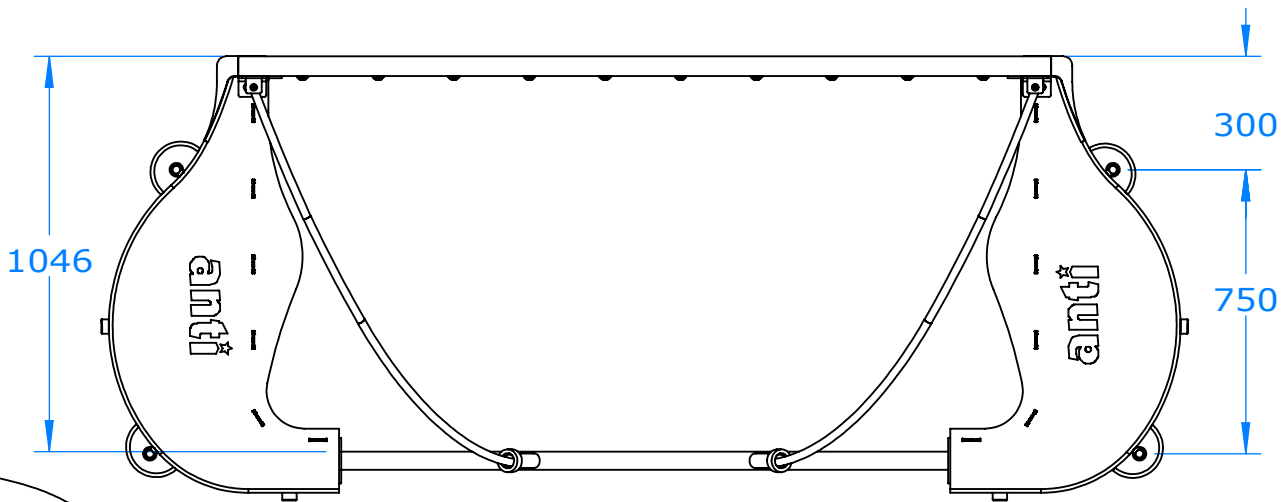
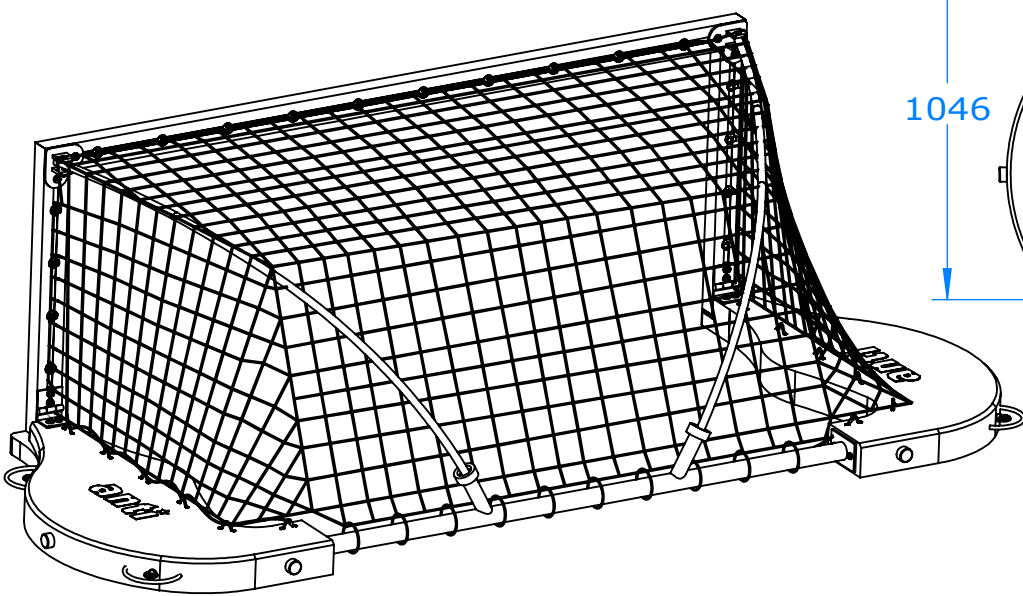
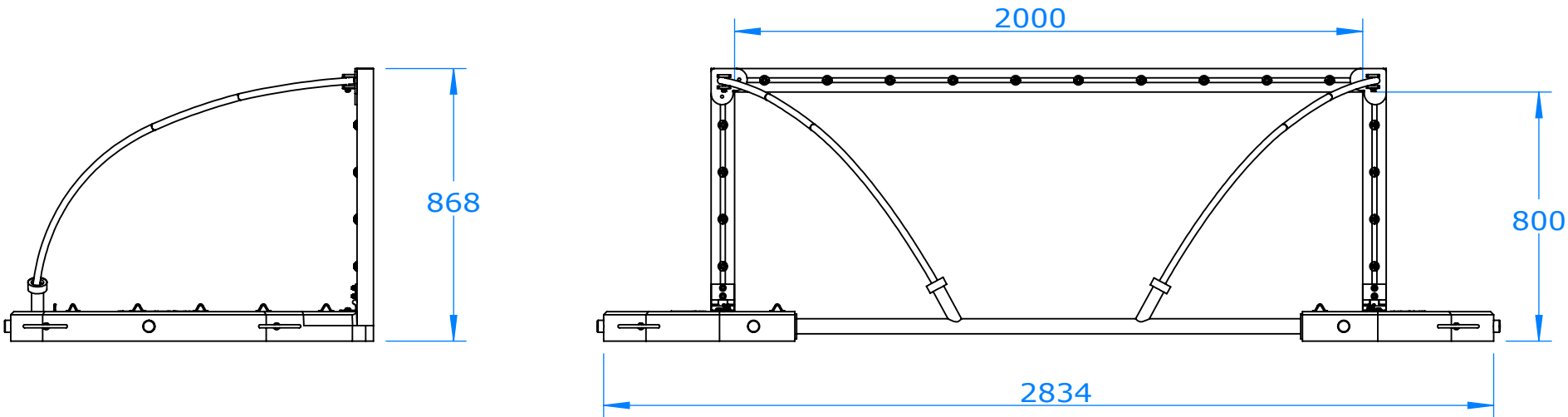


# Junior Goal Assembly Instructions



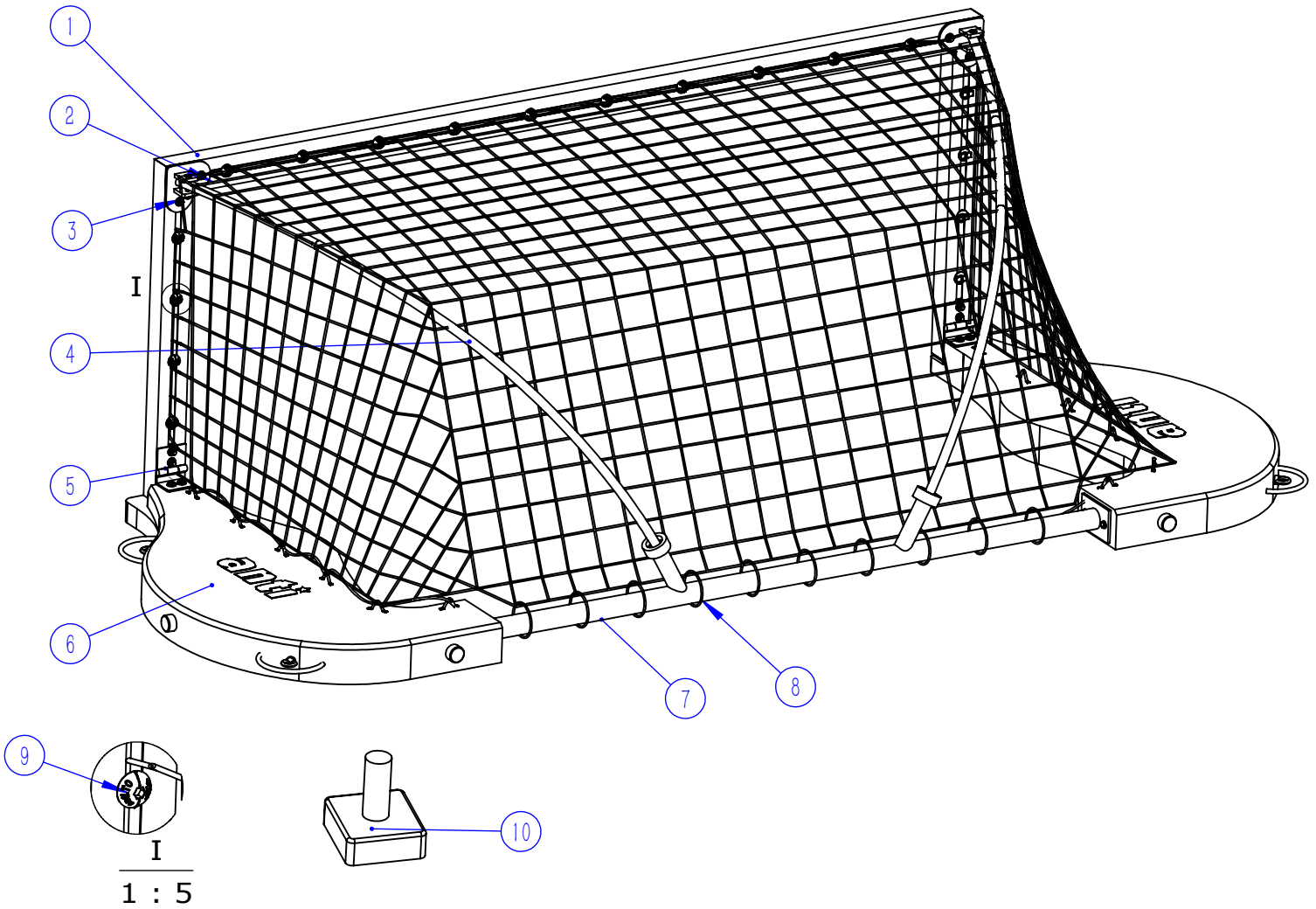
**anti**™ PROPRIETARY AND CONFIDENTIAL

The information contained in this drawing is the sole property of ANTI WAVE, any reproduction in part or as a whole without the written permission of ANTI WAVE is prohibited.

©ANTI WAVE 2015

Project Name: Junior Foldable Goal				Product Name: Assembly Instructions				Project No.		Product No.	
Drawn	Brian	Scale	1:20	Patents	2001285610; 7100219; 4048677; 01818714.5 & 2003/2920 e.g.						
								Drawn Date 2016/5/5		Verify Date	

No	Name	Qty
1	Front Frame	1
2	Red Net	1
3	Aluminium Heart Casting	2
4	PP Bows	2
5	SS316 Hinge	2
6	Small Float	2
7	Aluminium Back Tube	1
8	White Rope	1
9	Net Clip	18
10	Slide Block	8
11	M8x30 Countersunk Bolt	4
12	M8x60 Countersunk Bolt	2
13	M8 Lock Nut	20
14	Washer	20
15	M8x30 Round head bolt	4



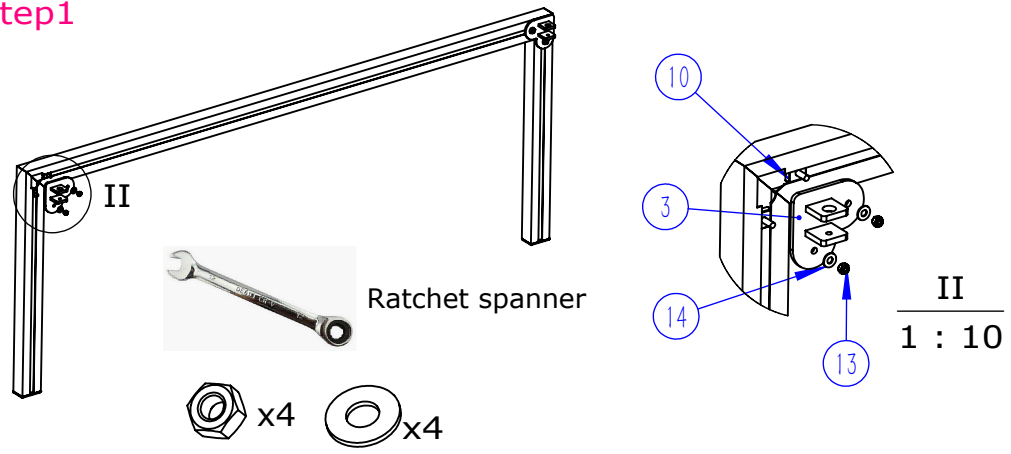
**anti**™ PROPRIETARY AND CONFIDENTIAL

The information contained in this drawing is the sole property of ANTI WAVE, any reproduction in part or as a whole without the written permission of ANTI WAVE is prohibited.

©ANTI WAVE 2015

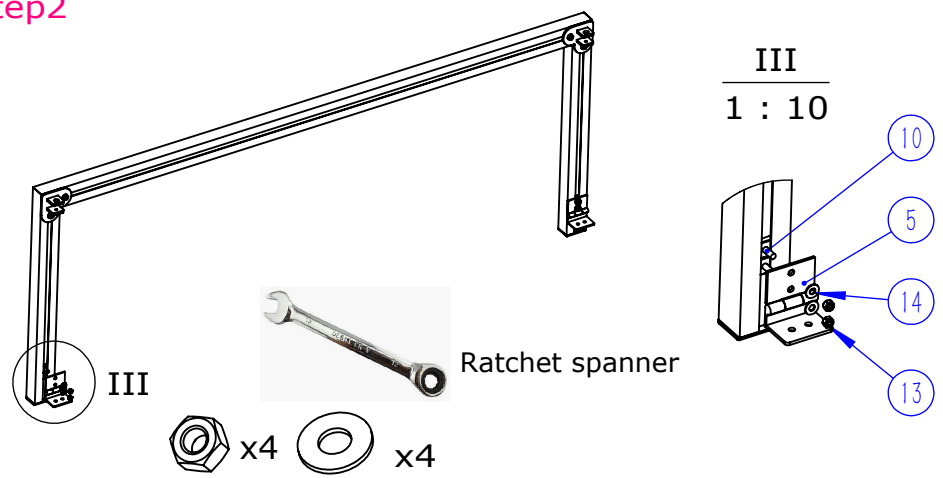
Project Name: Junior Foldable Goal				Product Name: Assembly Instructions				Project No.		Product No.	
Drawn				Brian		Scale		1:20		Patents	
								2016/5/5		Verify Date	
2001285610; 7100219; 4048677; 01818714.5 & 2003/2920 e.g.											

**Step1**



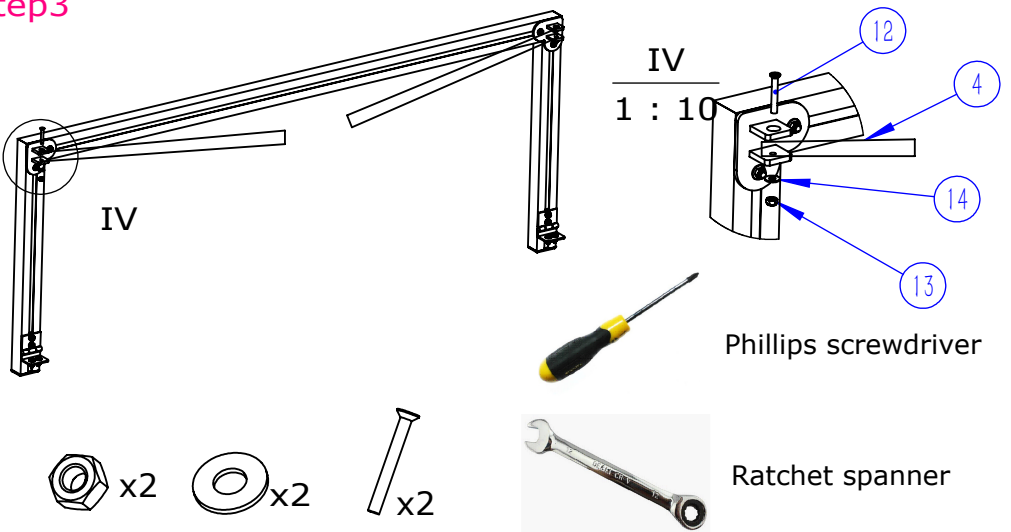
Slide the Slide Blocks (10) as shown above into the top corner of the front frame. Slip the Alu Heart Casting (3) into the slide blocks and connect using the M8 Washer (14) and Lock Nut (13) to fix to the frame.

**Step2**



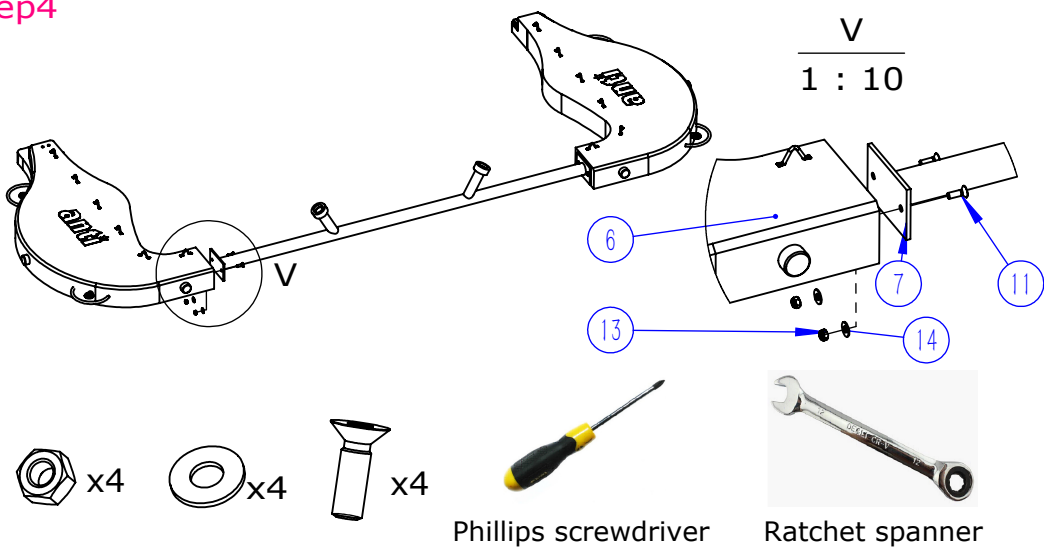
Insert the Latches of the SS Hinge (5) to the holes on the Front Frame (1). Use the Slide Blocks (10), M8 Lock Nuts (13) and Washers (14) to fix the SS Hinge to the Front Frame. Note: Do not over tighten the bolt.

**Step3**



Insert the PP Bows (4) into the Alu Plate of the Heart Casting (3). Use the M8 x 60 Countersunk Bolts (12), Washers (14) and Lock Nuts (13) to fix the PP Bows (4) to the Front Frame.

**Step4**

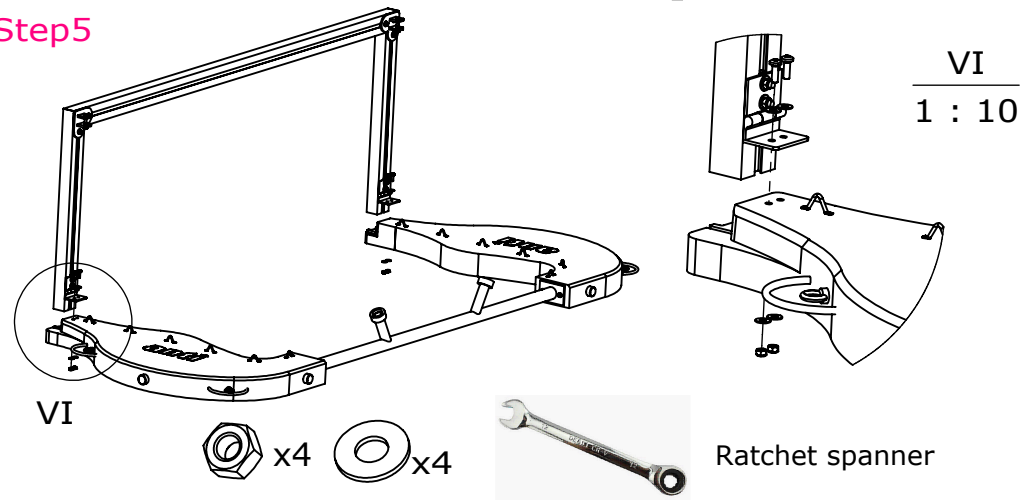


Use the M8 x 30 Countersunk Bolt (11), Washers (14) and Lock Nuts (13) to fix the Small GRP Floats (6) to the Back Tube (7).

**anti** PROPRIETARY AND CONFIDENTIAL  
The information contained in this drawing is the sole property of ANTI WAVE, any reproduction in part or as a whole without the written permission of ANTI WAVE is prohibited.  
©ANTI WAVE 2015

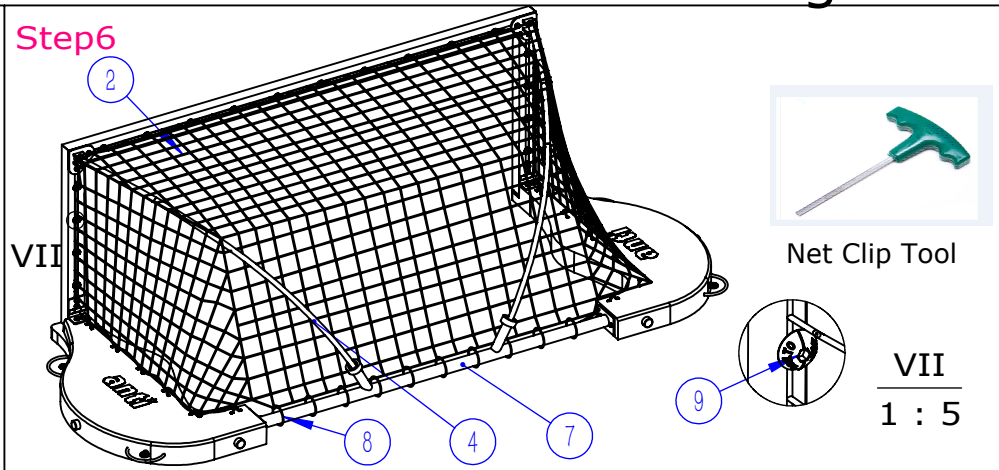
Project Name: Junior Foldable Goal				Product Name: Assembly Instructions				Project No.	Product No.	
Drawn	Brian	Scale	NO	Patents	2001285610; 7100219; 4048677; 01818714.5 & 2003/2920 e.g.			Drawn Date	2016/5/5	Verify Date

**Step5**



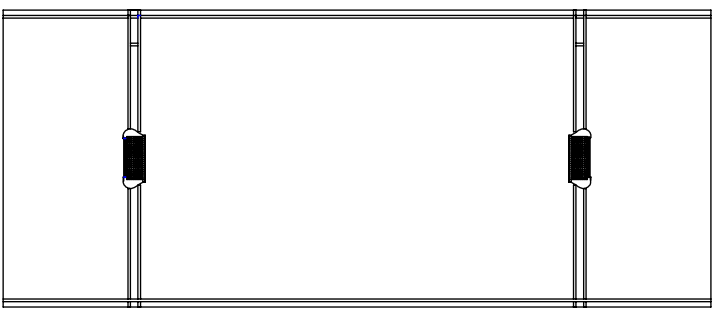
Slide the Slide Blocks (10) as shown above into the top corner of the front frame. Slip the Alu Heart Casting (3) into the slide blocks and connect using the M8 Waster (14) and Lock Nut (13) to fix to the frame.

**Step6**



Use the Net Clips (9) and White Rope(8) to fix the Net (2). To connect the Net to the Frame with the Net clips, place the Edge of the Net into the Alu Channel and then place the Net Clip into the Alu Channel, and using the Net Clip Tool provided, twist the Net Clip 90 Degrees, so that the Net Clip Wings lock into the Channel firmly. From the Top Corner of the Black Net, count seven squares away from the Top frame and Slip the Bow (4) through the Black Net in this square ( 2 ) as shown in diagram. Slip the Bow End into the Bow Tube (8).

**Step7**



Follow the above Steps to assemble the other Junior Goal, then install the two Senior Goals into the Pool.

For information about competition Polo Field Setup please contact us for details.

**Necessary Tools**



Necessary personnel : 1 person