



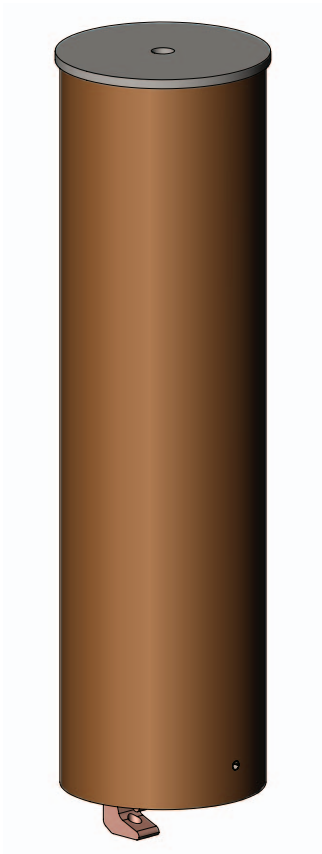
THE LEADERS IN RECREATION, FITNESS AND ABILITY!

9889 Garrymore Ln
Missoula, MT 59808

888-687-3552 | +1-406-549-0769

www.aquacreek.com

Scout Series 10" Anchor Instructions



PART #: F-808SA-10

MANDATORY

LEAVE THIS MANUAL WITH LIFT OWNER

Read and follow all instructions.

Lift safety can only be ensured if the lift is installed and operated according to these instructions.

- NEVER permit children to play on or around the lift
- Do not allow children to use the lift without adult supervision
- NEVER apply direct water pressure to the electronics
- NEVER use the lift with a dry pool

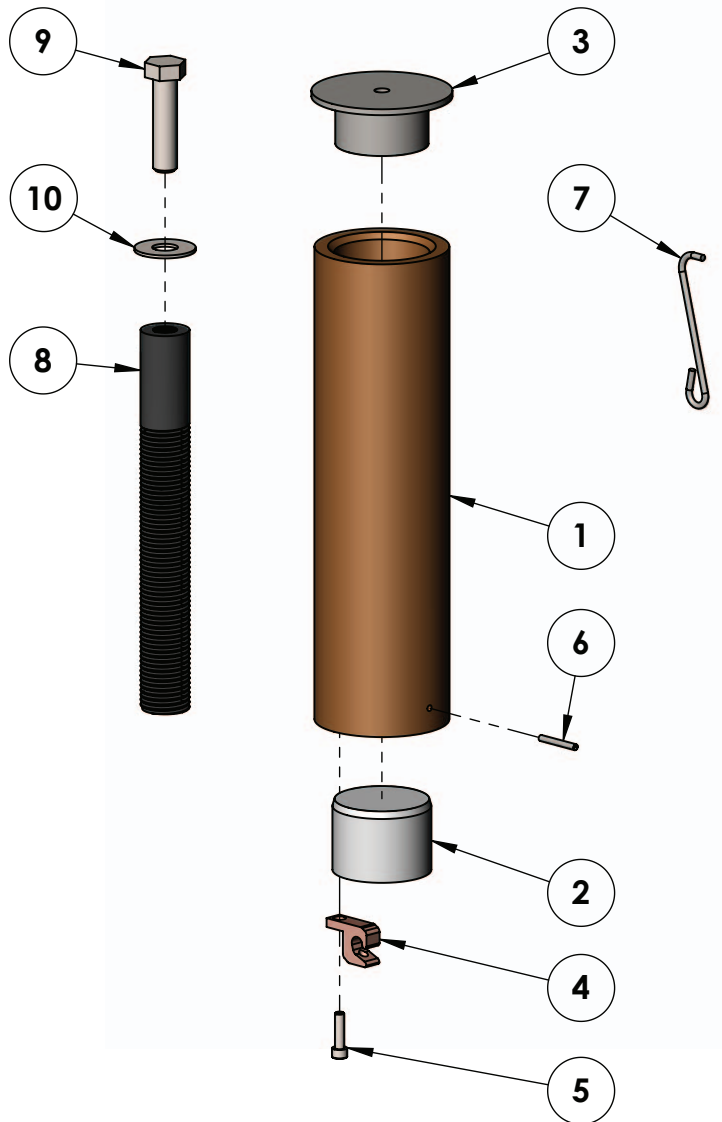
READ CAREFULLY

Check entire box and all packing materials for parts. Before beginning assembly, read the instructions and identify parts using the figures and parts listed in this document.

It is critical that all parts be carefully inspected prior to installation. If any damage occurred in transit, Aqua Creek Products, LLC must be notified within three days of receipt of unit.

Proper installation cannot be overstressed, as an improper installation voids Aqua Creek's warranty and may affect the safety of the user.

Parts List



ITEM #	QTY	PART #	DESCRIPTION
1	1	SCA-10B-00	SCOUT 10" ANCHOR BODY, BRONZE
2	1	SCA-10P-00	SCOUT 10" ANCHOR PLUG
3	1	GBL-4DB	LUG, IN GROUND GROUNDING LUG
4	1	BSH 10 X 3/4	BOLT, 316 SS, 10-24 X 3/4", SHCS
5	1	SCA-10L-00	SCOUT 10" ANCHOR LID
6	1	ROLL PIN, 1/8"X1"	ROLL PIN, 1/8" X 1"
7	1	F-ACTOOL	ANCHOR CAP TOOL
8	1	P-7205ANB-8IN	ANCHOR INSERT, 8" PVC
9	1	BH 1/2 X 2	BOLT, 316 SS, 1/2-13 X 2 HCS
10	1	WF 1/2	WASHER, FLAT, 1/2, 316 SS

Anchor Installation: Retrofit Instructions

The SCOUT lift should be installed in a deck or footing with the following specifications:

1. MINIMUM FOOTING SIZE: 3' - 9" x 3' - 9" x 10" THICK.
2. MINIMUM CONCRETE STRENGTH: 2500 PSI
3. REINFORCEMENT: 4-#5 REBAR EACH WAY, TOP AND BOTTOM

To ensure adequacy of an existing pool deck a 3' – 9" square portion of the existing deck may be saw-cut, removed and replaced with a footing as specified above. The new slab reinforcing shall be drilled and epoxied into the existing slab as shown on the next page. If your deck or footing does not meet these requirements please call Aqua Creek for recommendations. For decks meeting these requirements follow these instructions to install your anchor.

TOOLS & MATERIALS REQUIRED:

CORE DRILL

3" CORE DRILL BIT

MARKING PEN

EPOXY (ANCHOR ADHESIVE)*

1 1/2" CORE DRILL BIT

AIR NOZZLE & PUMP/COMP.

HEAT GUN (OPTIONAL)

MASKING TAPE

1. Select an anchor location using the diagram on page 5 and the ADA guidelines on page 3. Mark the center of the anchor location with a pen or marker. Also, mark the center for the fixing-anchor 7 1/2" from the main-anchor.
2. Using a 3" diameter core-drill bit drill a 3" diameter hole at the anchor location. Make sure to keep the bit square to the deck. Drill straight down to a depth of at least 6". Then, using a 1 1/2" bit, drill at the fixing-anchor location down 4"
3. Remove plug and clean out the holes with a wire brush, and then insert an air nozzle to the bottom of the hole and blow out the hole using a pump or compressed air. Proper hole cleaning is essential. If the hole is wet, dry it out as much as possible. A heat gun may be helpful in drying out the hole.
4. Mask the top of the anchor so no epoxy gets inside the anchor.
5. Place the anchor in the hole and 'dry-fit' it first to make sure the anchor will be flush and perpendicular with the deck when installed. Adjust the hole as needed.
6. Install the epoxy into the dispenser and follow manufacturers' instructions to ensure the epoxy is properly mixed and applied. **USE ONLY THE RECOMMENDED EPOXY AND ALWAYS FOLLOW THE INSTRUCTIONS SO FULL STRENGTH IS ACHIEVED.**
7. Inject epoxy adhesive into each hole starting at the bottom until the hole is 1/3 to 1/2 full.
8. Install the anchor into the hole/epoxy and push down until it is flush with the deck surface. Clean off any excess epoxy. Adjust the anchor as needed to make sure it is flush and perpendicular with the deck surface. This should be done during the adhesives' specified 'gel time' (see manufacturers' instructions).
9. Let the epoxy cure for at least 24 hours before installing the lift (or where applicable according to the manufacturers' instructions).

*Use HILTI RE-500-SD adhesive anchor or SIMPSON SET-XP anchor adhesive or equivalent.

NOTE: BOND (GROUND) THE ANCHOR PER LOCAL ELECTRICAL CODE.

Anchor Installation: New Construction

For new construction a footing should be poured according to the diagram below. Again, make sure the anchor is installed flush and perpendicular with the deck surface. Again, the footing should have the following specifications:

1. MINIMUM FOOTING SIZE: 3'-9" x 3'-9" x 10" THICK.
2. MINIMUM CONCRETE STRENGTH: 2500 PSI
3. REINFORCEMENT: 4-#5 REBAR EACH WAY, TOP AND BOTTOM

