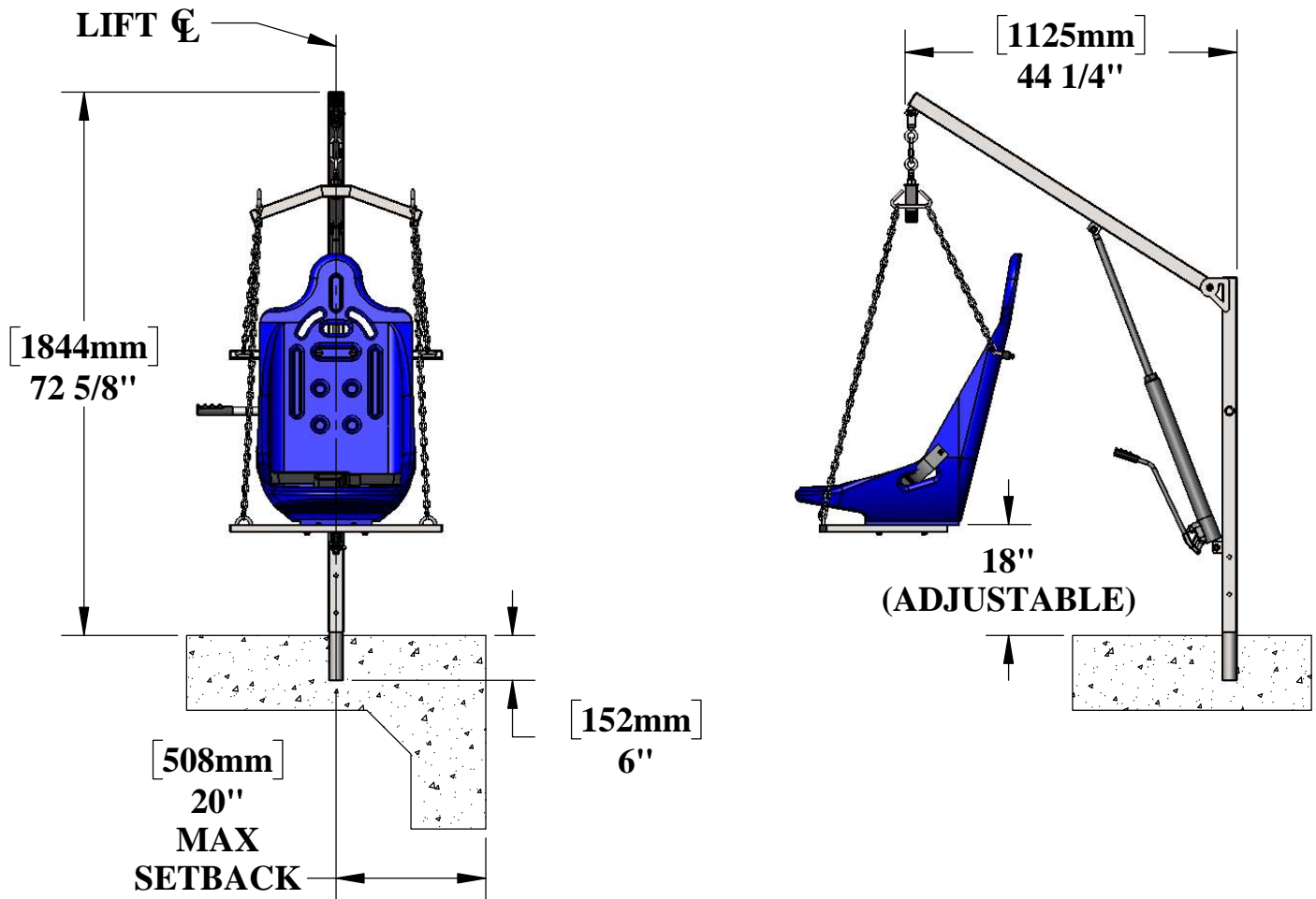
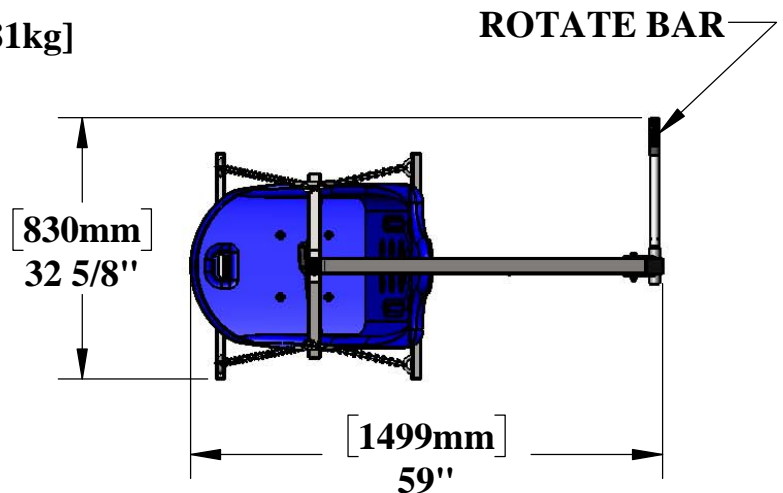


EZ 2 LIFT WITH HARD SEAT



PRODUCT WEIGHT: 75lbs [34kg]
MAX WEIGHT CAPACITY: 400lbs [181kg]
MIN ANCHOR SETBACK: 12"
MAX ANCHOR SETBACK: 20"
MAX WATER DRAFT: 18"



9889 GARRYMORE LANE
 MISSOULA, MT 59808
 (406) 549-0769
 FAX (406) 549-2602

NOTE:
 *SPECIFICATIONS ARE SUBJECT TO CHANGE WITHOUT NOTICE

| | |
|--|---------------------------|
| PRODUCT: EZ 2 LIFT W/ HARD SEAT | |
| PART #: F-EZPL2 & F-0320HSO-4C | |
| SCALE: 1:24 | DATE: 5/26/2017 |
| DRAWN BY: KR | REVISION: A |