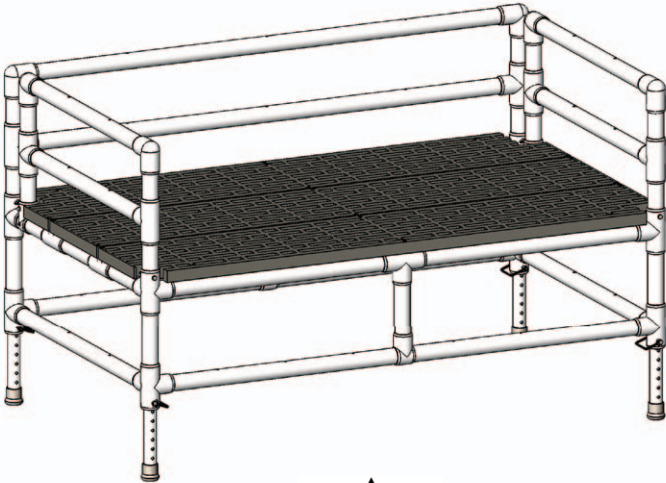


# Swim Training Platform

**PART #: F-250TTP**

**300 LB. [136 kg] MAX WEIGHT CAPACITY**

**MANDATORY – LEAVE THIS MANUAL  
WITH OWNER**



**Read & follow all instructions**  
Safety can only be ensured if the platform is assembled  
and operated according to these instructions



For safety reasons, **NEVER** swim alone

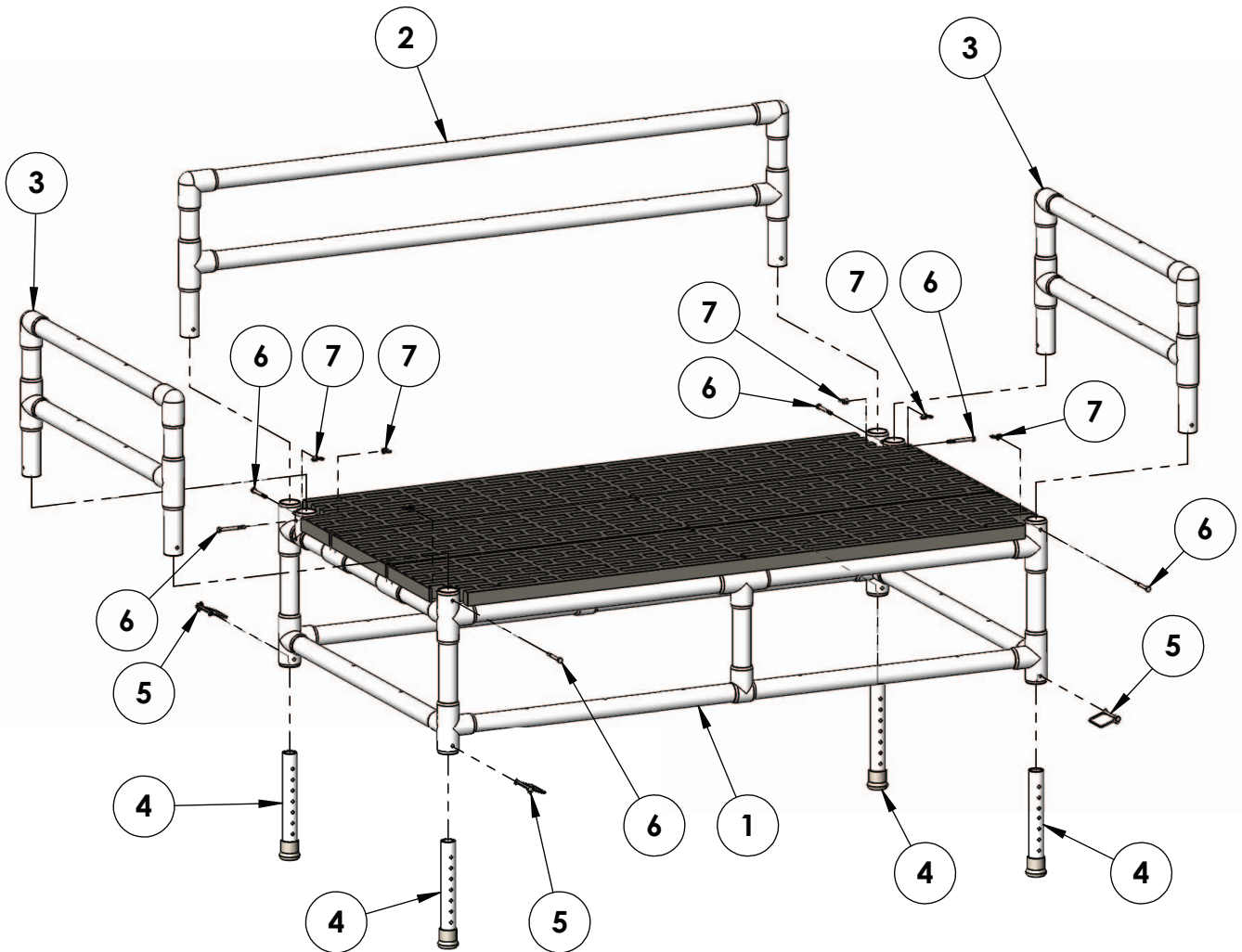
## READ CAREFULLY

Check entire box and inside all packing materials for parts. Before beginning assembly, read the instructions and identify parts using the figures and parts listed in this document.

It is critical all parts be carefully inspected by the installer prior to installation to ensure no damage occurred in transit and a damaged part is not used. If any damage occurred in transit, Aqua Creek Products, LLC must be notified within three days of receipt of unit.

Proper installation cannot be overstressed, as an improper installation voids Aqua Creek's warranty and may affect the safety of the user.

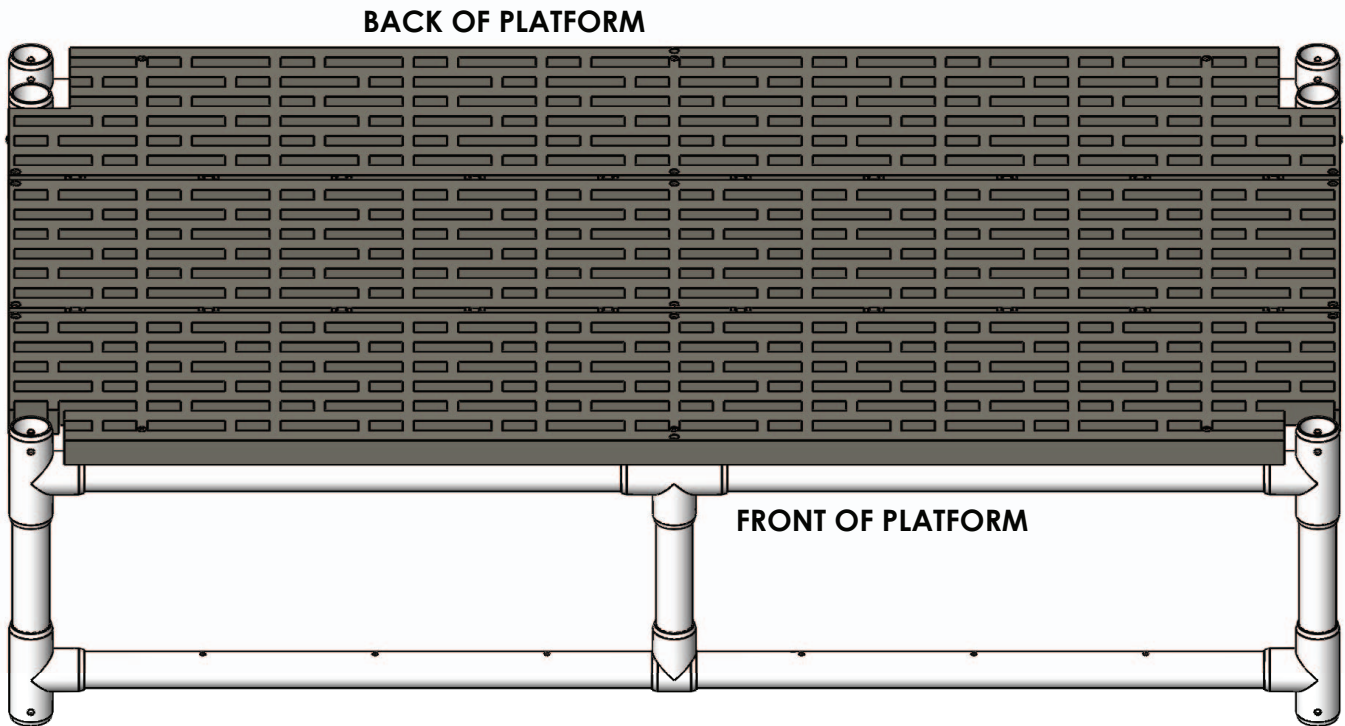
# Parts List



ITEM #	QTY	PART #	DESCRIPTION
1	1	STPSA1	MAIN FRAME ASSEMBLY
2	1	STPSA2	LONG HANDRAIL ASSEMBLY
3	2	STPSA3	SHORT HANDRAIL ASSEMBLY
4	4	STPSA4	LEG ASSEMBLY
5	4	LOCK PIN, 1/4 X 2 1/4 SQ	LOCK PIN, 316 SS, 1/4" X 2 1/4" SQUARE LOOP LOCK PIN
6	6	BHP 1/4 X 2 1/2	BOLT, 316 SS, 1/4-20 X 2 1/2" HCS, PARTIAL THREADS
7	6	WING NUT, 1/4	NUT, WING NUT, 316 SS, 1/4"-20

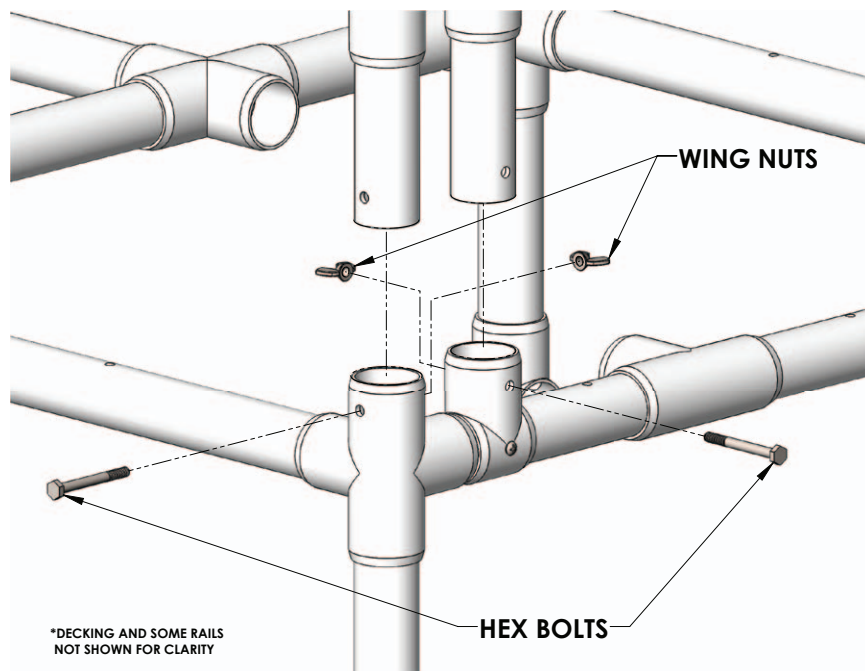
# Assembly Instructions

1) Your product is shipped mostly assembled in one large box. Remove all components from the box and set the pre-assembled platform on the pool deck.



2) Insert the side rails and back rails into the sockets so the drilled holes for the bolts line up and you can insert the bolts easily. NOTE: you may need to swap the side rails or turn the rails around to line up the pre-drilled holes.

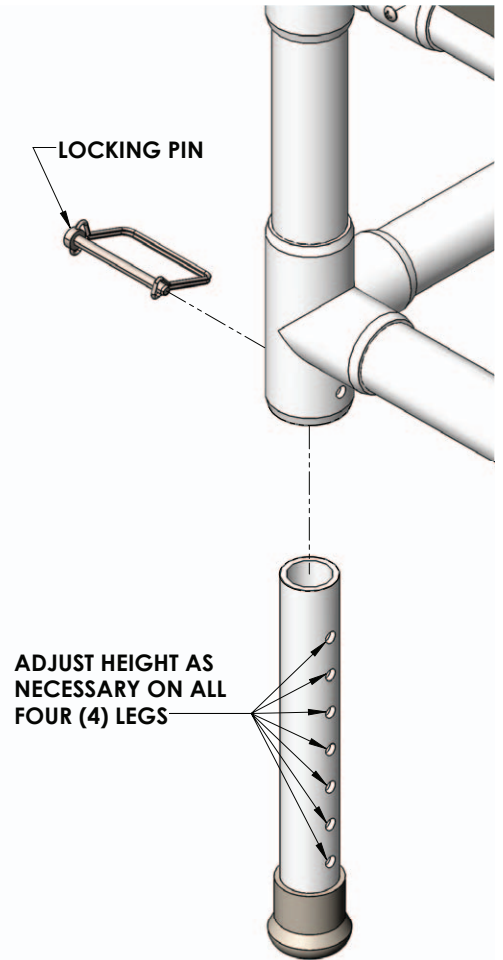
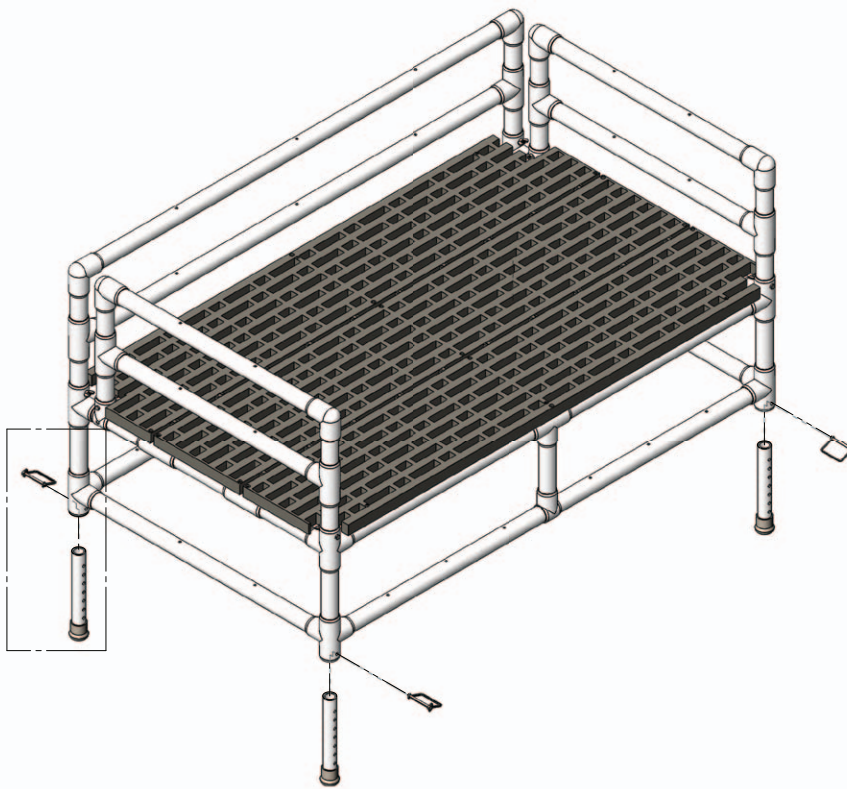
3) Secure the rails in place using the supplied 1/4" hex bolts and wing nuts.





# Assembly Instructions

4) Adjust the leg height of the platform by simply pulling the locking pins, adjusting the legs to the desired height and reinserting the locking pins.



5) Place platform into water. The platform is now ready to use.



**AQUA CREEK PRODUCTS, LLC LIMITED ONE (1) YEAR WARRANTY:**  
**SWIM TRAINING PLATFORM**  
(ITEM #'s F-250TTP)

Aqua Creek Products, LLC (a.k.a. Aqua Creek) warrants to the original end user purchaser that products manufactured by Aqua Creek, when properly installed in accordance with assembly and installation instructions and properly used and maintained, shall be free from defects in material and workmanship for a period of **one (1) year from the date of original purchase**, provided that Aqua Creek receives prompt notice in writing of any defect or failure and satisfactory proof thereof, with the following exceptions:

**Exceptions:**

- This warranty specifically excludes reimbursement for labor to remove, repair, or install the product and any freight charges.
- This warranty does not cover any damages due to accident, force majeure, act of nature, misuse, abuse, negligence or failure to properly maintain any products, or normal wear and tear from day to day operations.
- In the event that any products are altered, repaired, or improperly installed by anyone without the prior written approval by Aqua Creek, all warranties are void.

**IMPORTANT:** User is not to exceed the rated weight capacity of this product. It is the responsibility of the product owner to verify the weight of the patron for warranty claim purposes and to ensure that the product is not overloaded.

To initiate a warranty claim, the owner of an Aqua Creek product must provide the place of purchase, in writing, with a full description of the product, its serial number, the dates of purchase and installation, and the exact nature of the defect. Within thirty (30) days after receipt of a written warranty claim by Aqua Creek, and barring any unforeseen delays, the place of purchase will be notified of Aqua Creek's decision regarding the claim. All warranty calculations are from date of original purchase at manufacturer's suggested retail price. Non-payment for product to Aqua Creek may void warranty.

If requested by Aqua Creek, any defective product must be returned, freight prepaid by customer, to Aqua Creek's designated factory location or duly appointed distributor for inspection and/or repair. Aqua Creek will, at its option, repair or replace the failed or defective item, and deliver the repaired product or replacement to the customer. All freight charges are the responsibility of the customer. Products returned to Aqua Creek for which Aqua Creek provides replacement under this limited warranty shall become the property of Aqua Creek. A new warranty period shall **NOT** be established for the repaired or replaced products. Such products shall remain under warranty only for the remainder of the original warranty period on the original products purchased.

This written limited warranty constitutes the final, complete and exclusive statement of warranty terms. No person or organization is authorized to make any other specific or implied warranties or representations on behalf of Aqua Creek.

THE WARRANTIES SET FORTH HEREIN ARE IN LIEU OF ALL OTHER WARRANTIES, EXPRESSED OR IMPLIED, WHICH ARE HEREBY DISCLAIMED AND EXCLUDED, INCLUDING WITHOUT LIMITATION ANY WARRANTY OF MERCHANTABILITY OR FITNESS FOR A PARTICULAR PURPOSE OR USE.

THE SOLE AND EXCLUSIVE REMEDIES FOR BREACH OF ANY AND ALL WARRANTIES WITH RESPECT TO THE PRODUCTS SHALL BE LIMITED TO REPAIR OR REPLACEMENT AT AQUA CREEK'S DESIGNATED FACTORY LOCATION, OR DULY APPOINTED DISTRIBUTOR, OR IN PLACE AT AQUA CREEK'S OPTION. IN NO EVENT SHALL AQUA CREEK'S LIABILITY EXCEED THE ENTIRE AMOUNT PAID TO AQUA CREEK BY THE ORIGINAL PURCHASER FOR THE FAILED OR DEFECTIVE PRODUCT.

IN NO EVENT SHALL AQUA CREEK PRODUCTS, LLC BE LIABLE FOR ANY INCIDENTAL, CONSEQUENTIAL, SPECIAL, INDIRECT, PUNITIVE OR EXEMPLARY DAMAGES OR LOST PROFITS FROM ANY BREACH OF THIS LIMITED WARRANTY OR OTHERWISE.

**Aqua Creek Products, LLC**  
**9889 Garrymore Lane**  
**Missoula, MT 59808**  
**Toll Free: (888) 687-3552**  
**Local/Intnl: (406) 549-0769**  
[www.aquacreek.com](http://www.aquacreek.com)