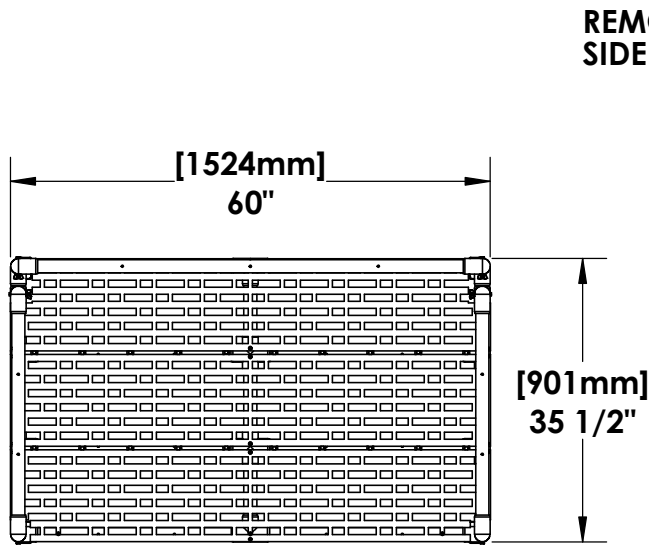
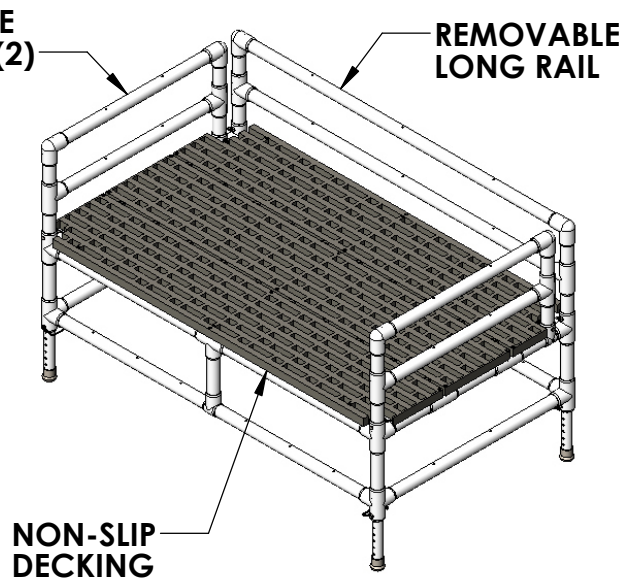


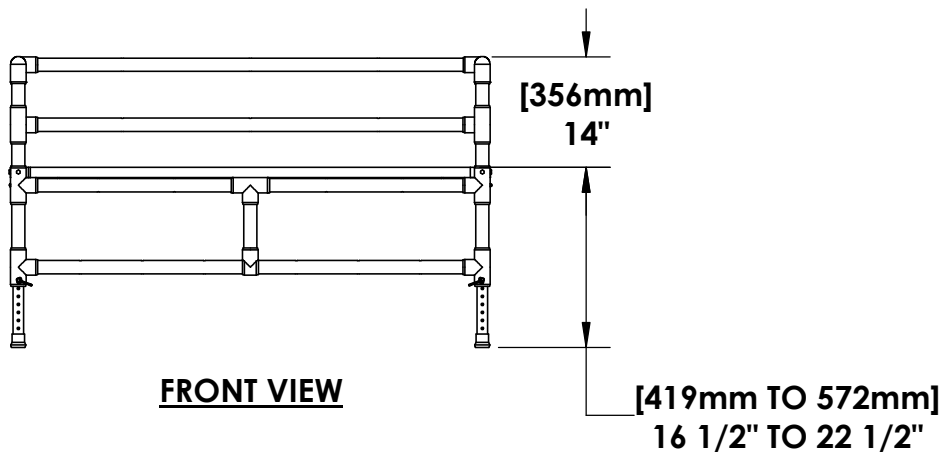
SWIM TRAINING PLATFORM



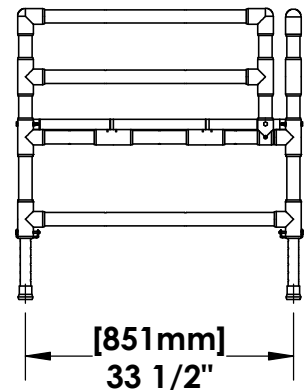
TOP VIEW



ISO VIEW



FRONT VIEW



SIDE VIEW

SPECIFICATIONS:

WEIGHT CAPACITY: 300LBS [136kg]

**MATERIALS: FRAME: MEDICAL GRADE PVC / DECKING: POLYPROPYLENE
HARDWARE: TYPE 316 & 18-8 STAINLESS STEEL**

WEIGHT: 60LBS [27kg]



9889 GARRYMORE LANE
MISSOULA, MT 59808
(406) 549-0769
FAX (406) 549-2602

NOTE:
*SPECIFICATIONS ARE SUBJECT TO CHANGE WITHOUT NOTICE

PRODUCT: SWIM TRAINING PLATFORM	
DWG #:	F-250TTP-1
SCALE:	1:24
DATE:	3/28/2017
DRAWN BY:	KR
REVISION:	A