



**Aqua Creek Products**

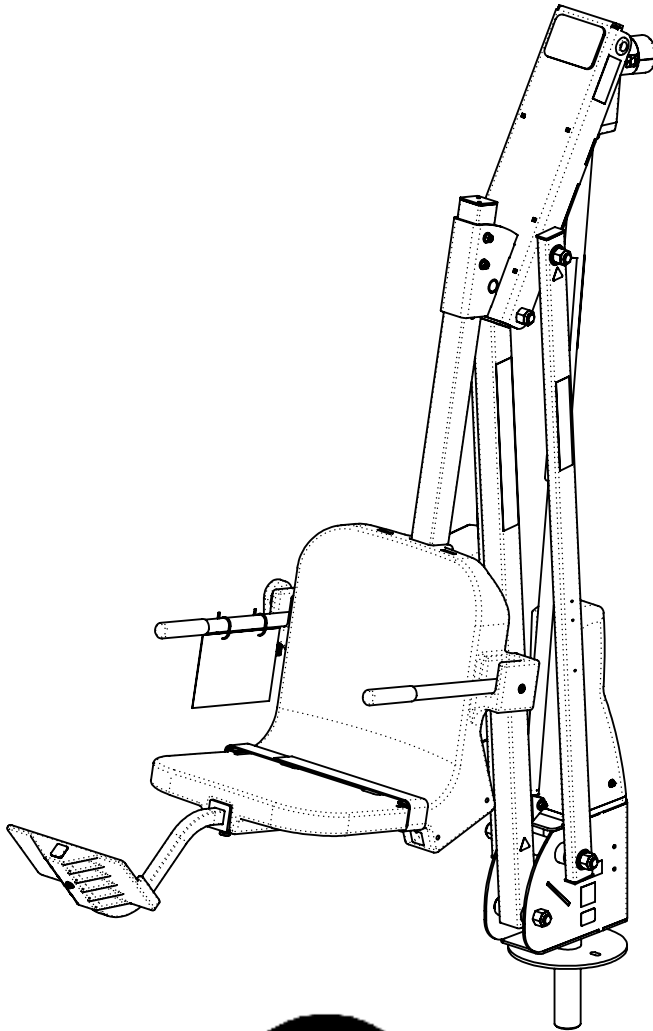
— Leaders in Recreation, Fitness and Ability —

**USE THIS MANUAL FOR CATALOG #'s:**

**F-MTY400 / F-MTY400-C / F-MTY400-G / F-MTY400-T / F-MTY400-W**

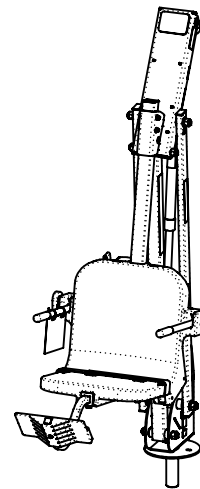
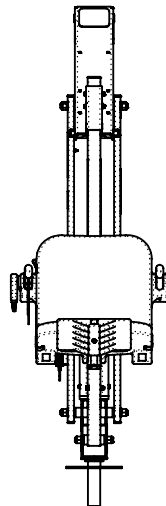
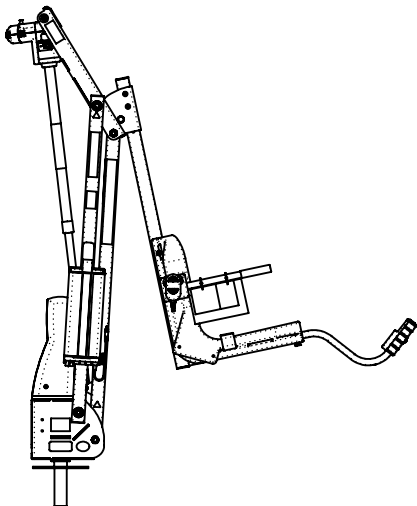
# INSTALLATION & OPERATION MANUAL

MODEL: MIGHTY 400  
CATALOG #: F-MTY400



# TABLE OF CONTENTS

SAFETY INFORMATION.....	3
ADA REQUIREMENTS FOR POOL LIFTS (US ONLY).....	4
PRODUCT OVERVIEW AND APPLICATIONS.....	5
PRODUCT COMPONENTS.....	6
PRODUCT ASSEMBLY.....	7
OPERATION INSTRUCTIONS.....	9
PRODUCT INSPECTION.....	10
MAINTENANCE INSTRUCTIONS.....	14
REPLACEMENT PARTS ORDER FORM.....	15
COMPONENT REVIEW.....	16
WARRANTY INFORMATION.....	19
BASIC TROUBLESHOOTING.....	20





## IMPORTANT SAFETY INFORMATION



When installing this product, basic safety precautions should always be followed, including the following:

**READ ALL INSTRUCTIONS BEFORE USING**

**WARNING** - To reduce the risk of injury, do not permit children to use this product unless they are closely supervised at all times.

This appliance is not intended for use by persons (including children) with reduced physical, sensory or mental capabilities, or lack of experience and knowledge, unless they have been given supervision or instruction concerning the use of the appliance by a person responsible for their safety.

A wire connector is provided on this appliance to connect a minimum 8AWG (8.4mm<sup>2</sup>) solid copper conductor between this unit and the means of equipotential bonding.

Check appliance periodically for signs of deterioration: Keep all nuts, bolts and screws tight to be sure the lift is in safe working condition.

**SAVE THESE INSTRUCTIONS**

Affix the supplied "ADA POOL/SPA LIFT" sign in a location visible from the appliance at all times.

Rechargeable batteries are to be removed from the appliance before being charged. Batteries are to be installed with the correct polarity. If the appliance is to be stored unused for a long period of time, the batteries should be removed and stored on the wall mounted charger to maintain the battery charge. The supply terminals are NOT to be short-circuited.

**REDUCE THE RISK OF DROWNING**

- Never swim alone.
- Never use the appliance to enter an empty pool.
- Never apply direct water pressure to the electronics.
- Never permit children to play on or around this appliance.
- Supervise children at all times.

DO NOT jump or dive from this appliance.

Seat may be hot, use caution when entering.

Keep appliance covered when not in use. Inspect and clean before use.

**READ CAREFULLY**

Check the entire box and all packing materials for parts. Before beginning assembly, read the instructions and identify parts using the figures and parts listed in this document. It is critical that all parts be carefully inspected prior to installation. If any damage occurred in transit, Aqua Creek Products LLC must be notified within three (3) days of receipt. Proper installation cannot be over-stressed, as an improper installation will void Aqua Creek's warranty and may affect the safety of the user.

## ADA REQUIREMENTS FOR POOL LIFTS\* (US ONLY)

### 1009.2.1 Pool Lift Location

Pool lift shall be located where the water level does not exceed 48". If entire pool water level exceeds 48", place pool lift where convenient.

### 1009.2.2 Seat Location

In the raised position, the centerline of the seat shall be located over the deck a minimum of 16" from the edge of the pool.

### 1009.2.3 Clear Deck Space

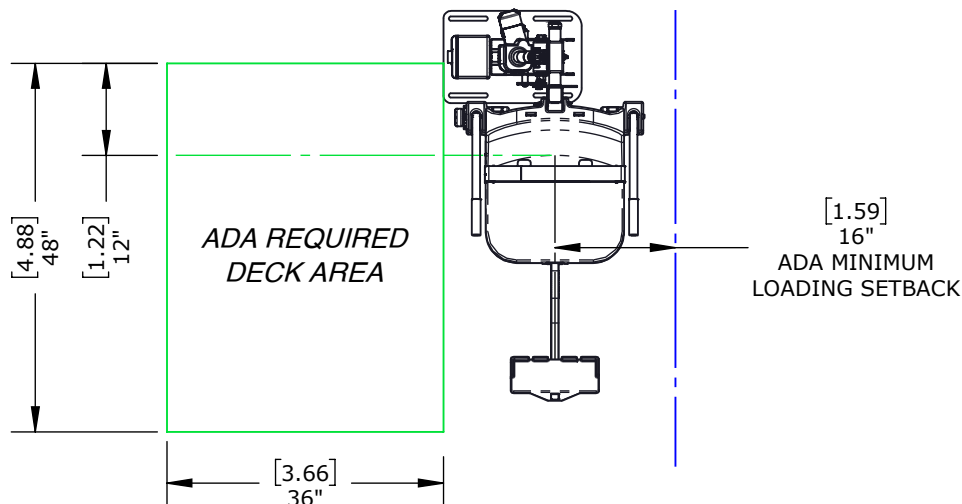
On the side of the seat opposite the water; a clear deck space shall be provided parallel with the seat. The space shall be 36" wide minimum and shall extend forward 48" minimum from a line located 12" behind the rear edge of the seat.

### 1009.2.4 Seat Height

The lift shall stop at 16" - 19" measured from the deck to the top of the seat surface when in the loading position.

### 1009.2.8 Submerged Depth

The lift shall submerge the seat a minimum of 18" below the stationary water level



\*Compliance with ADA is the responsibility of the pool owner. Visit [www.ada.gov](http://www.ada.gov) for complete guidelines.

## PRODUCT OVERVIEW AND APPLICATIONS

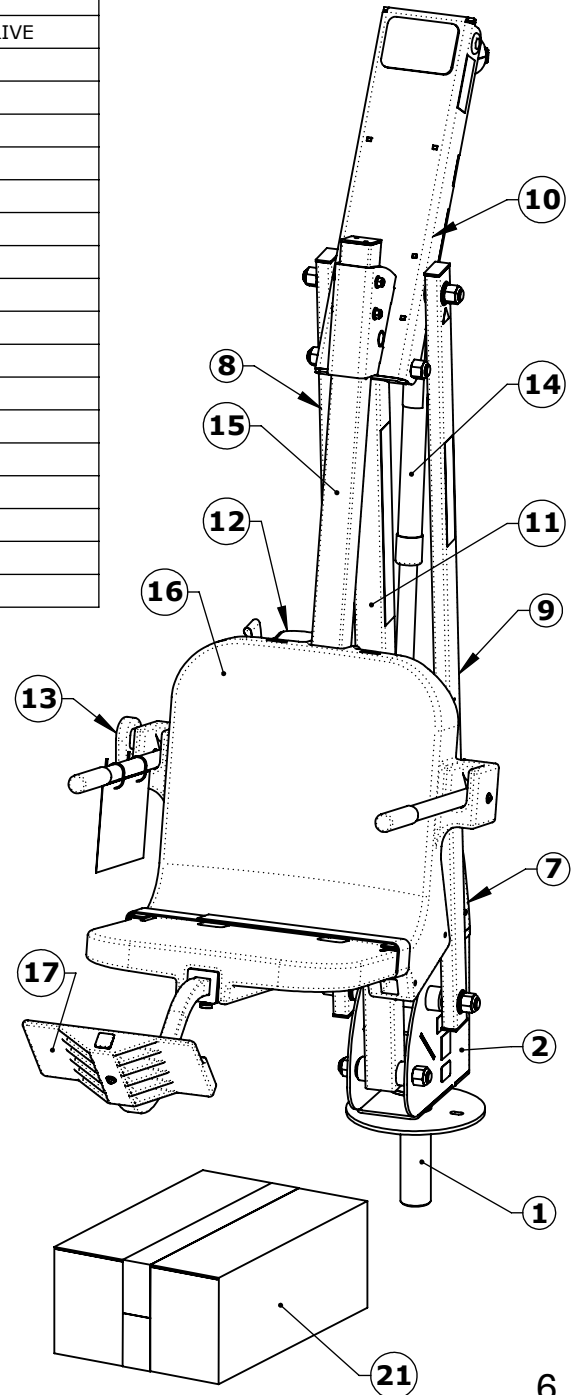
The ADA Compliant, UL Certified, Mighty 600 pool lift is our strongest lift. Like its sister lift, the Mighty 400, the unique patented design provides for a very safe, durable, and reliable lift. Ideal for in-ground pool and spa applications or with the addition of any of the available pedestal options, the Mighty 600 is also a great choice for raised pools and spas. The long reach and heavy weight capacity make this lift a powerhouse and able to accommodate almost any type of user.

### Features:

- UL certified
- 600 lb. (272 kg.) weight capacity
- Setback range 10" to 44" (26 - 111 cm)
- Adjustable seat pole
- Water draft 12"
- 360 rotation flip up
- Armrests
- All stainless steel construction
- Durable powder coat finish
- Rechargeable battery & wall mount charger
- Five year structural warranty
- Five year pro-rated electronics warranty

# PRODUCT COMPONENTS

MIGHTY 400 - INV01698				
ITEM	PART NO.	QTY.	REV.	DESCRIPTION
1	INV03491	1	1	ASSEMBLY - ANCHOR SPINDLE - 1.90" DIA. SQ DRIVE
2	INV02792	1	P1	ASSEMBLY - MAIN FRAME
3	INV01835	1	P1	RETAINING RING - 1-1/4" OD EXTERNAL
4	INV02755	1	2	ASSEMBLY - MOTOR MOUNT
5	INV01172	2	N/A	WF - #10 FLAT WASHER
6	INV00471	2	P1	BSH - #10-24x3/8" SOCKET HEAD BOLT
7	INV01747	1	P1	COVER - MOTOR - BLUE
8	INV02795	1	P1	ASSEMBLY - CONTROL ARM - 51.25" (B)
9	INV02796	1	P1	ASSEMBLY - CONTROL ARM - 51.25"
10	INV02791	1	1	ASSEMBLY - TOP CASING
11	INV02798	1	P1	ASSEMBLY - LIFTING ARM - 49.75"
12	INV03498	1	1	ASSEMBLY - CONTROL BOX (VITO)
13	INV00615	1	P1	REMOTE - 4 BUTTON VITO
14	INV03072	1	2	ACTUATOR KIT - LINAK - 600MM - 90DEG.
15	INV02801	1	1	ASSEMBLY - SEAT CRADLE
16	INV01417	1	1	ASSEMBLY - SEAT 18.00" - BLUE
17	INV01903	1	1	ACCESSORY - FOOTREST - BLUE
18	INV03287	1	1	STOCK BOX - VITO

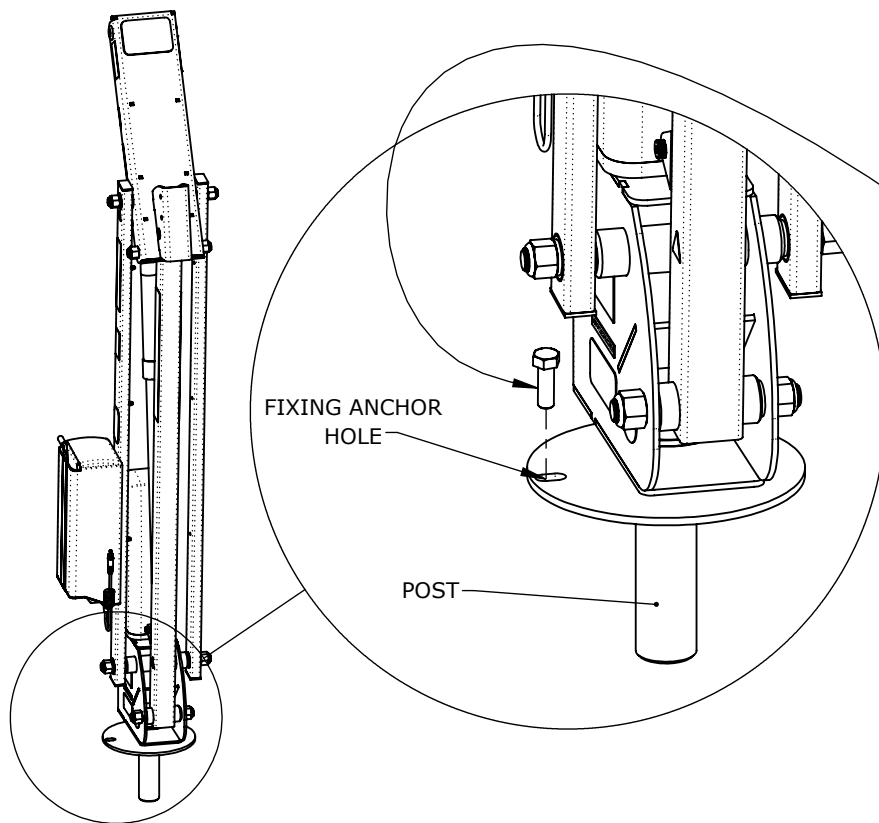


STOCK BOX - VITO - INV03287				
ITEM	PART NO.	QTY.	REV.	DESCRIPTION
1	INV00249	1	N/A	DIELECTRIC GREASE PACKET - 6 GRAMS
2	INV00303	1	P1	ANTI-SEIZE - PACKET - 5 GRAMS
3	INV00646	1	P1	LABEL #133 - PROP 65 (BATTERY)
4	INV00534	1	P1	CHAIR - SEAT BELT
5	INV01804	1	P1	LABEL #146 - DAILY CHARGE
6	INV00578	1	P1	SIGN - "ADA LIFT AVAILABLE" (AQUA CREEK)
7	INV01152	1	P1	CHARGER - VITO 24V
8	INV01153	1	P1	BATTERY - VITO 24V - 2PC CONTROLS
9	INV00611	1	P1	BRACKET - WALL MOUT (VITO)
10	INV00591	1	P1	TEST CABLE - VITO 24V
11	INV01699	1	P1	LABEL #145 - DO NOT UNPLUG
12	INV00418	2	P1	BOLT - HEX 5/16"-18x3"
13	INV01176	4	N/A	WF - 5/16" FLAT WASHER
14	INV00742	2	N/A	NN - 5/16"-18 NYLOCK NUT

## PRODUCT ASSEMBLY

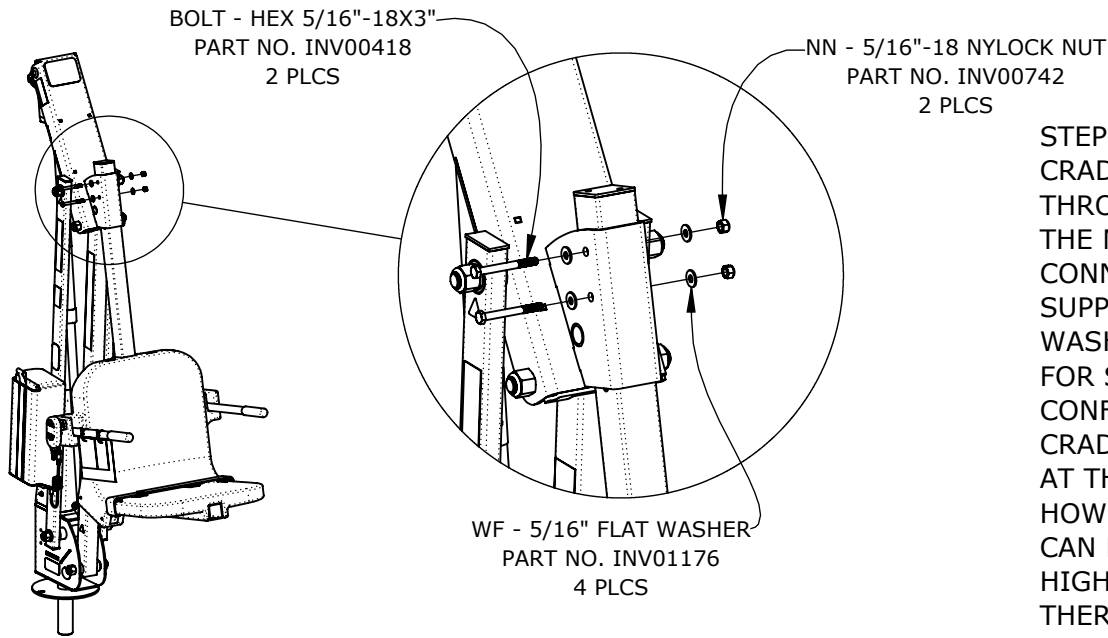
### NOTES:

- READ ALL INSTRUCTIONS FULLY AND USE ALL COMPONENTS SHOWN IN EACH STEP BEFORE MOVING ON TO THE NEXT STEP.
- ADD A SMALL AMOUNT OF ANTI-SEIZE TO ALL THREADS DURING ASSEMBLY (LUBE PACKET PROVIDED). THIS WILL HELP PREVENT SEIZING OF BOLTS.
- BE CAREFUL NOT TO OVERTIGHTEN BOLTS. OVERTIGHTENING CAN CAUSE DAMAGE AND COMPROMISE THE SAFETY OF YOUR LIFT.



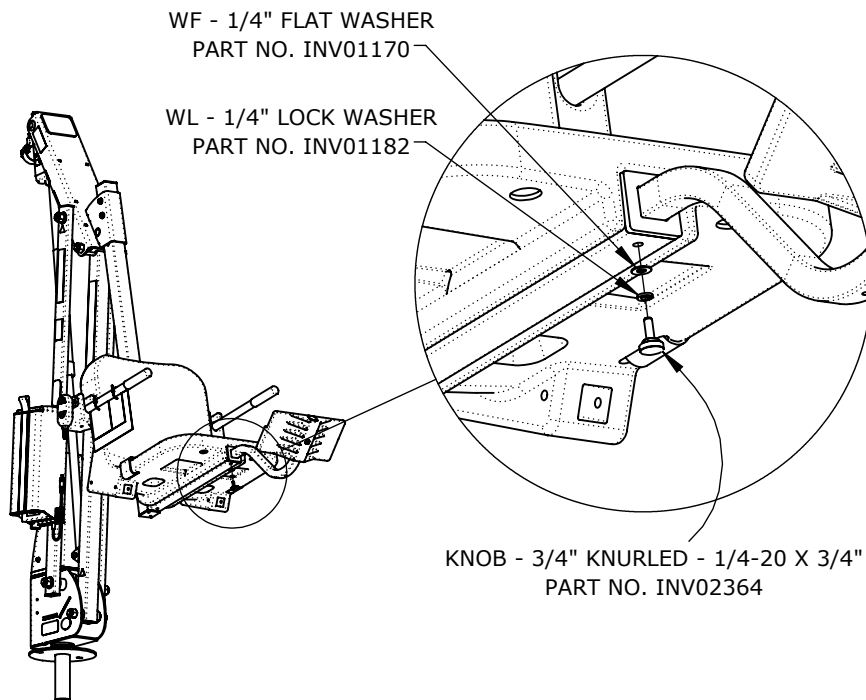
STEP 1) LIFT THE MIGHTY 600 MAST ASSEMBLY FROM THE SHIPPING CONTAINER. INSERT THE 1.90" [48mm] POST OF THE MAST ASSEMBLY INTO THE DECK ANCHOR. EASE THE MAST ASSEMBLY DOWN UNTIL IT RESTS ON THE DECK SURFACE. ROTATE THE BASE UNTIL THE FIXING ANCHOR HOLE LINES UP WITH THE FIXING ANCHOR. INSTALL THE 1/2"-13X1 1/2" HEX BOLT AND WASHER (PROVIDED IN THE STOCK BOX) TO HOLD DOWN THE LIFT. TIGHTEN THE BOLT.

# PRODUCT ASSEMBLY



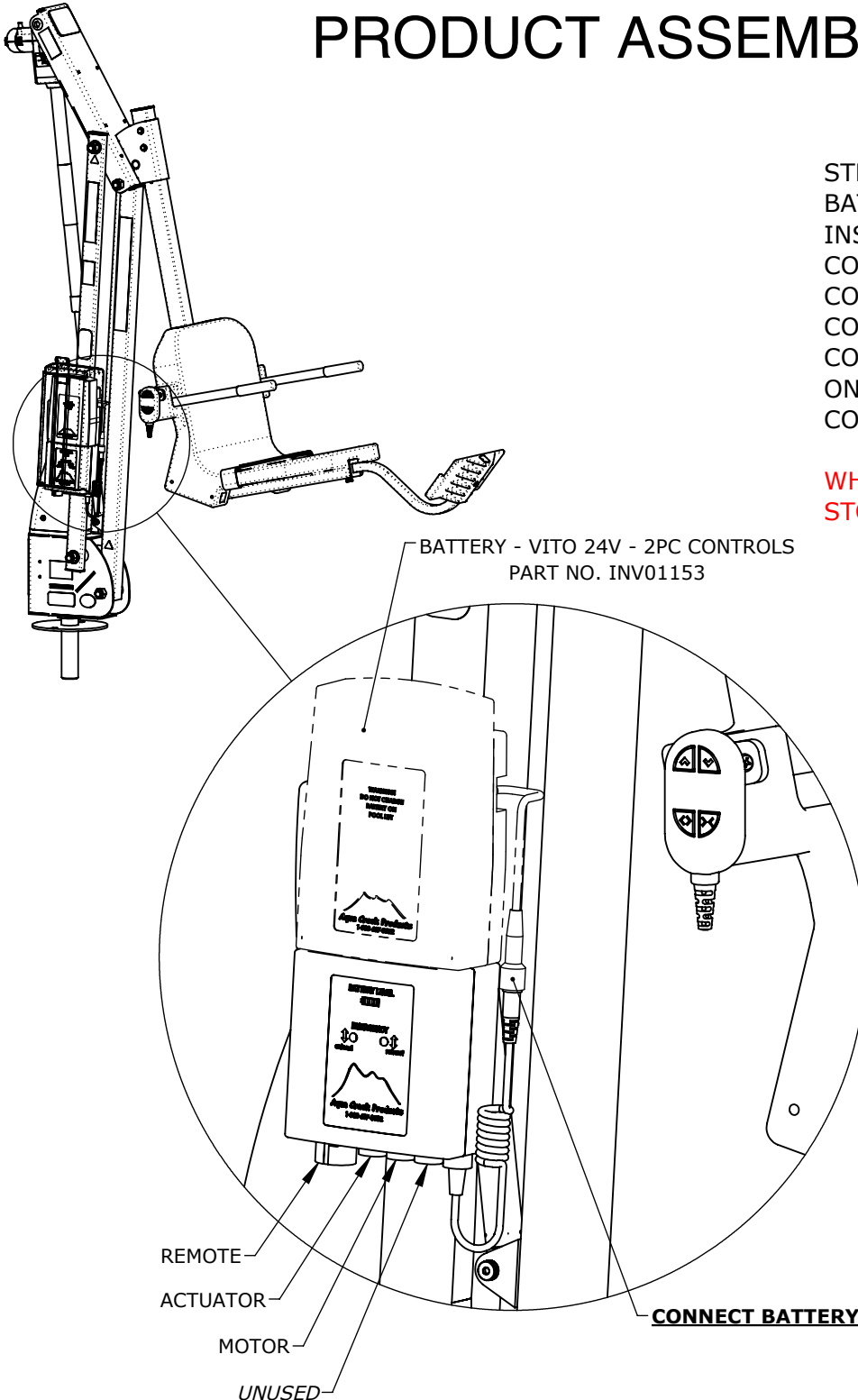
STEP 2) SLIDE THE SEAT CRADLE ASSEMBLY UP THROUGH THE TOP CASING OF THE MAST ASSEMBLY AND CONNECT USING THE SUPPLIED 5/16" HEX BOLTS, WASHERS AND NYLOCK NUTS. FOR STANDARD POOL CONFIGURATION THE SEAT CRADLE WILL BE CONNECTED AT THE TOP TWO HOLES. HOWEVER, THE SEAT CRADLE CAN BE ADJUSTED UP TO 6" HIGHER, IN 2" INCREMENTS, IF THERE IS A NEED FOR IT.

**NEVER USE THE LIFT WITHOUT BOTH HEX BOLTS INSTALLED!**



STEP 3) INSERT THE FOOTREST ASSEMBLY INTO THE 2"X2" SQUARE TUBING THAT SUPPORTS THE SEAT UNTIL THE PLASTIC INSERT OF THE FOOTREST ASSEMBLY SITS FLUSH AGAINST THE END OF THE 2"X2" TUBE. USING THE SUPPLIED 1/4" HARDWARE, FASTEN THE LEGREST ASSEMBLY TO THE 2"X2" TUBING.

# PRODUCT ASSEMBLY



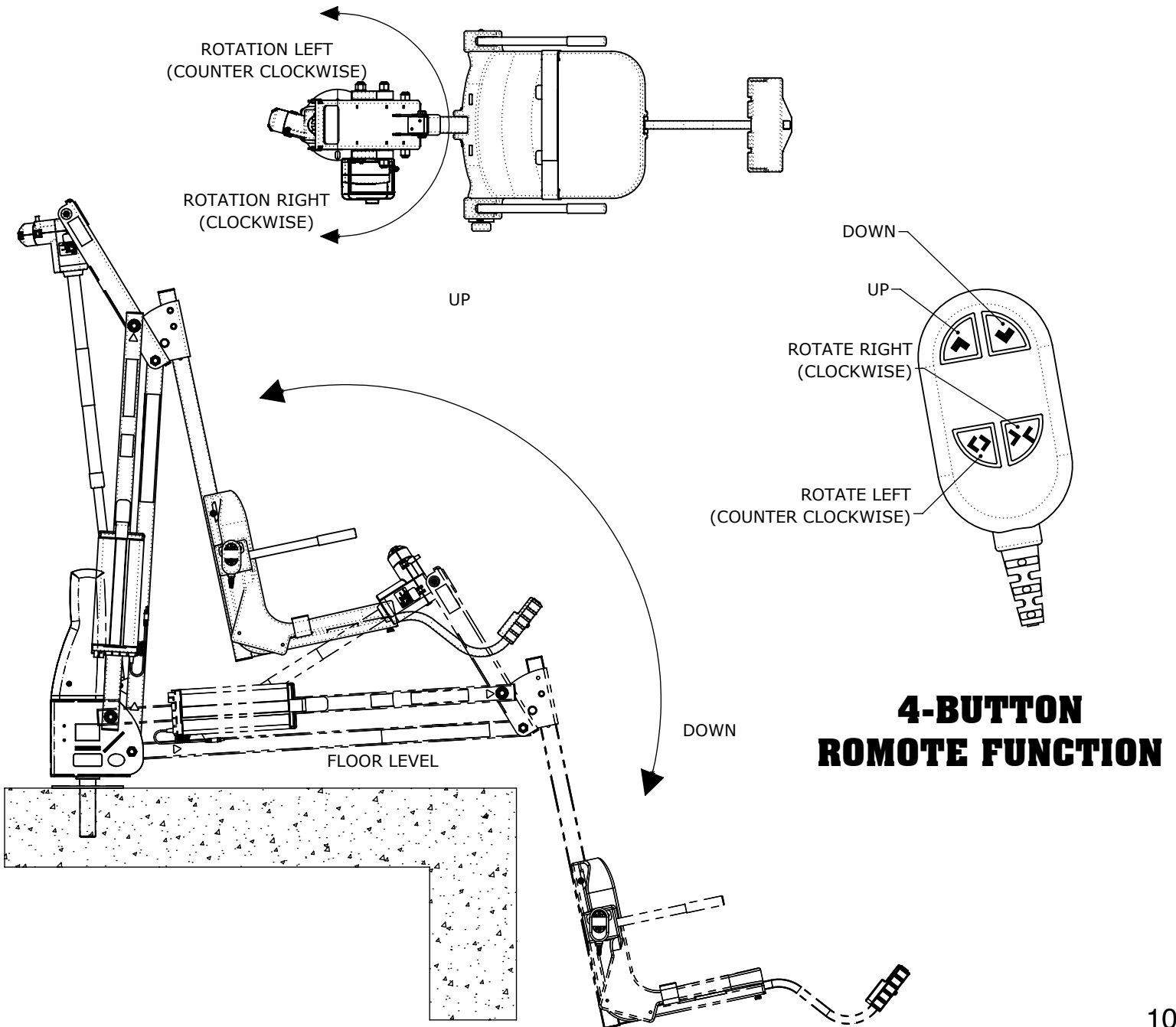
STEP 4) REMOVE THE FULLY CHARGED BATTERY FROM THE CHARGER AND INSTALL THE BATTERY TO THE CONTROL BRACKET, ON TOP OF THE CONTROL BOX. ONCE SECURE, CONNECT THE BATTERY CABLE TO THE CONTROL BOX CABLE. THE LIFT WILL ONLY OPERATE WHEN THE BATTERY IS CONNECTED PROPERLY.

**WHEN THE LIFT IS NOT IN SERVICE, STORE BATTERY ON THE CHARGER!**

STEP 5) WITH THE LIFT FULLY ASSEMBLED AND ANCHORED, RUN THE LIFT COMPLETELY OUT AND BACK IN 3 TO 5 TIMES, WITHOUT WEIGHT, FOR THE LIFT'S "BREAK IN" CYCLE PERIOD.

# OPERATION INSTRUCTIONS

**CONGRATULATIONS, YOUR LIFT IS NOW READY FOR USE!**





## LIFT INSPECTION INFORMATION

Test Date:	
Pool Lift Model:	
Serial Number:	
Inspected By:	

### Inspection Notes:

Please read and fill out all information carefully

Improper use and/or maintenance of pool lift can lead to actuator and/or other mechanical failures and possible personal injury. Please read and follow the product operators' manual and the instructions below.

**NOTE: Completely cycle the lift without a load before each use to verify the lift is functioning properly.**

- Product service life depends on the load characteristics, type and frequency of use, and the environment in which the product is being used. For example, persons not calmly sitting but falling down with their full body weight in the chair, or using the pool lift's chair as a diving platform can casue premature actuator failure and/or possible personal injury.
- Based on historical product service life analysis, Aqua Creek recommends replacing the actuator(s) and other electronic components after 5 years of service. Check component serial numbers and purchase records to verify the age of your components.
- A functional weight lifting force of a maximum of 100lbs. Must be periodically verified by applying a non-live load (without a person) through the entire operating cycle of the lift. This process is performed in order to verify the smooth operation. Make note of any unusual noises or sudden movements coming from the actuator(s) or other components. Note: In some lifts, a sudden quick movement at the beginning of the cycle is normal but should smooth out over the course of operation.
- Creating a side load on the actuator by pushing and/or pulling on the actuator, especially under load conditions, can casue damage to the actuator and or personal injury.
- Electronic components are designed to be plug-and-play type replacements. There is no need to access the internal mechanisms in these components. The actuator, battery, and all electronic components may only be disassembled by authorized factory-trained personnel. Disassembly of electronic components by improperly trained and unauthorized persons will void the warranty on those components.
- The operator of the pool lift should never allow the pool lift to hit any stationary object either vertically or horizontally while operating a pool lift, i.e. walls, ceiling, pool/spa bench, etc.
- For quick and accurate troubleshooting and inspections, we recommend having a voltage meter on had as well as adequate test and replacement components for the unit.
- Remove the pool lift from service immediately if any unusual noise is heard coming from the actuator such as grinding, popping or sudden inconsistent movements.
- Immediately remove from service any lift that does not have 100% compliance with the inspection until the appropriate corrections have been made by a qualified person.

## OVERALL VISUAL INSPECTION

Corrosion is common with anything in a swimming pool environment; even stainless steel. Proper and regular maintenance and cleaning will prevent most instances of corrosion. Replace any components that have corrosion caused pitting, cracking, thinning of the base metal, or other instances of corrosion that can't be eliminated and/or minimized through thorough cleaning. refer to product manual for additional maintenance instructions. Make comments and/or recommendations in the notes area below each section.

INSPECTION ITEM	PASS	FAIL	N/A
1. Anchor bolts, concrete around anchors, etc... are in good condition. No cracks in concrete, missing hardware, and anchors are installed correctly.			
2. The fixing anchor is installed correctly and is in good condition.			
3. Powder coated components are clean, corrosion free, and in good overall condition. Clean and repair any missing powder coat finish. Apply a coat of wax on the cleaned and repaired finish.			
4. Welded joints show no signs of cracks or fatigue. Replace any non-compliant components.			
5. Hardware is present, secure, and not corroded (bolts, nuts, bushings, etc...).			
6. All wiring routing clips are present and in good condition.			
7. All product warning labels are present and legible.			
8. Plastic seat, foot rest, and other plastic components are present and in good shape.			
9. Armrest hand grips are present, in good condition, and are well secured to the arms.			
10. Electronic and lift covers are present and in good condition (Lift covers are highly recommended for outdoor installations).			
11. Inspect rotation gears for any damage or missing teeth. Inspect rotation motor gear and alignment to ensure proper rotation of the lift.			
12. Inspect lift slings, seat belts, and other similar stitched and webbed or weaved materials for damage, fatigue, and/or deterioration. Replace at first sign of any fatigue or damage.			



## PHYSICAL POOL LIFT TEST

A physical test of the lift function is required when doing an annual inspection. NOTE: The lift should always be run through a completed cycle without a load prior to each use. The annual test should be ran both empty and with a typical load weight to test the lifts functions. Make comments and/or recommendations in the notes area below each section.

INSPECTION ITEM	PASS	FAIL	N/A
1. With all connections connected, operate the lift through a complete cycle without weight to confirm the lift is functioning correctly. Note any strange noises and any unusual operation.			
2. Verify the lift was installed correctly; is the lift free to travel in and out of the pool without hitting anything like a wall, rail, bench, etc...			
3. Rotate lift at least 90 degrees over the water and back again if applicable.			

## ELECTRONICS INSPECTION

Most electronic issues are due to pool electrical connections and/or a defective battery. Always remove the battery and place on the charger when the lift is not in use. NOTE: Even if your lift is equipped with a solar charger, it is a good idea to place the battery on the wall charger periodically or during extended periods of non-use or storage. Before testing the battery, charge overnight. A voltage meter is required for this section and a known GOOD handset controller is helpful. An Aqua Creek electronics test light is also highly recommended (order item F-01TL). Make comments and/or recommendations in the notes area below each section.

INSPECTION ITEM	PASS	FAIL	N/A
1. Battery contact points are free of damage and/or corrosion. Dielectric grease is present on all contact points to prevent corrosion. <b>ALWAYS STORE BATTERY ON THE CHARGER WHEN LIFT IS NOT IN USE!</b>			
2. Battery level indicator (if equipped) on control box is functioning properly when battery is installed on lift.			
3. Using the voltage meter check the voltage on the battery. A good battery should read between 24v and 28v DC. Note: Vito batteries will require a test cord. (F-VTC002)			
4. Using the test light, confirm continuity through the control box by plugging the light into the control box in place of the actuator and press the buttons on the controller and the control box itself (if applicable). If the light does not light up with the handset, replace handset with a known good one and try to see if it lights up.			
5. Once the battery is fully charged up to 24 to 28 volts, cycle the lift (up, down, rotate) counting the cycles. If the battery is in good condition, the lift should easily complete at least 15 cycles without a load.			

## MAINTENANCE INSTRUCTIONS

PROCEDURE	BEFORE EACH USE	DAILY	WEEKLY	MONTHLY
Check battery level indicator on control box.	☑			
Run the lift through a complete test cycle (fully extend actuator) to verify it is functioning properly.	☑			
Wash lift with fresh water and dry with clean, soft, non-abrasive cloth.		☑		
Recharge battery.		☑		
Visually inspect lift for damage, corrosion, and loose or missing hardware.		☑		
Check all contact points for damage and/or corrosion.			☑	
Repair, clean and apply dielectric grease to all contact points.			☑	
Thoroughly clean lift frame and apply a liberal coat of car wax to maintain the lift's finish.				☑
Check all Warning and Cautionary labels to make sure they are not faded or worn. Replace as needed.				☑

**PROPER CARE NOTES:**

- Use only fresh water to wash your lift. Do not wash with pool water.
- Use only clean, soft, non-abrasive cloths on your lift.
- Do not store lift in pump room or near chemicals.
- Do not allow children to play on or around this lift.
- When cleaning the lift, do not spray water directly on control box or battery.
- The lift may need to be bonded according to local code requirements.
- If the lift is not used for extended periods, remove the battery from the lift and store it on the wall charger to maintain the batteries charge. The charger should be plugged in and in a climate controlled area.

**STAIN REMOVAL NOTES:**

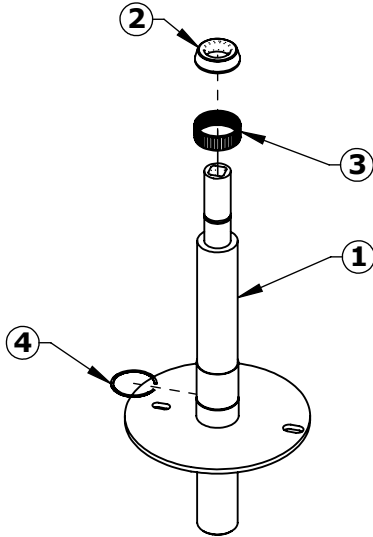
*To remove stubborn stains from finish, spray affected area with mild dish soap, rub briskly with a 3M Scotch Brite™ pad. Use white epoxy paint to touch up the finish. Apply wax to protect when dry.*



# REPLACEMENT PART ORDER FORM

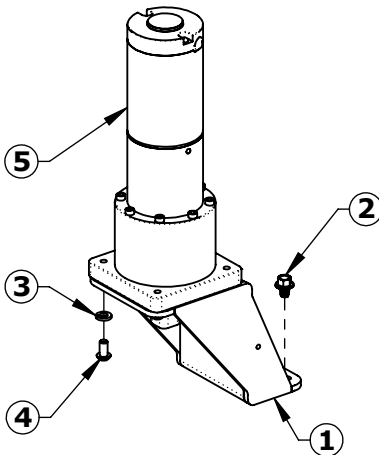
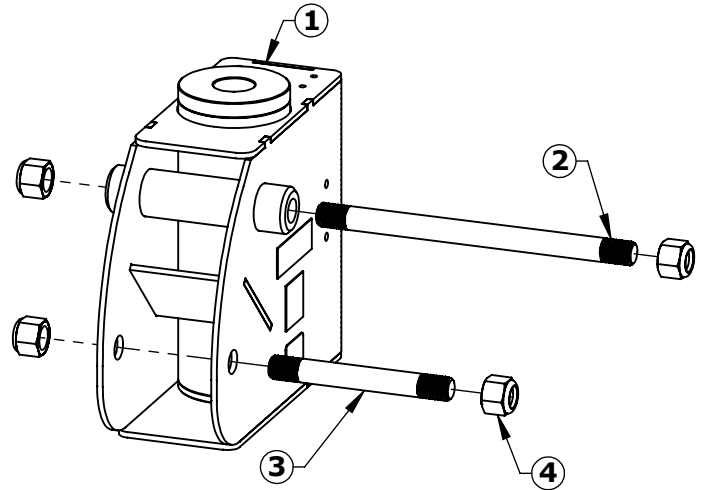
MIGHTY 400 - INV01698					
ITEM	PART NO.	QTY.	REV.	DESCRIPTION	REORDER
1	INV03491		1	ASSEMBLY - ANCHOR SPINDLE - 1.90" DIA. SQ DRIVE	
2	INV02792		P1	ASSEMBLY - MAIN FRAME	
3	INV01835		P1	RETAINING RING - 1-1/4" OD EXTERNAL	
4	INV02755		2	ASSEMBLY - MOTOR MOUNT	FULL ASSEMBLY: <input type="checkbox"/> HARDWARE ONLY: <input type="checkbox"/>
5	INV01172		N/A	WF - #10 FLAT WASHER	
6	INV00471		P1	BSH - #10-24X3/8" SOCKET HEAD BOLT	
7	INV01747		P1	COVER - MOTOR - BLUE	
8	INV02795		P1	ASSEMBLY - CONTROL ARM - 51.25" (B)	FULL ASSEMBLY: <input type="checkbox"/> HARDWARE ONLY: <input type="checkbox"/>
9	INV02796		P1	ASSEMBLY - CONTROL ARM - 51.25"	FULL ASSEMBLY: <input type="checkbox"/> HARDWARE ONLY: <input type="checkbox"/>
10	INV02791		1	ASSEMBLY - TOP CASING	
11	INV02798		P1	ASSEMBLY - LIFTING ARM - 49.75"	FULL ASSEMBLY: <input type="checkbox"/> HARDWARE ONLY: <input type="checkbox"/>
12	INV03498		1	ASSEMBLY - CONTROL BOX (VITO)	FULL ASSEMBLY: <input type="checkbox"/> HARDWARE ONLY: <input type="checkbox"/>
13	INV00615		P1	REMOTE - 4 BUTTON VITO	
14	INV03072		2	ACTUATOR KIT - LINAK - 600MM - 90DEG.	FULL ASSEMBLY: <input type="checkbox"/> HARDWARE ONLY: <input type="checkbox"/>
15	INV02801		1	ASSEMBLY - SEAT CRADLE	
16	INV01417		1	ASSEMBLY - SEAT 18.00" - BLUE	FULL ASSEMBLY: <input type="checkbox"/> HARDWARE ONLY: <input type="checkbox"/>
17	INV01903		1	ACCESSORY - FOOTREST - BLUE	FULL ASSEMBLY: <input type="checkbox"/> HARDWARE ONLY: <input type="checkbox"/>
18	INV01892		P1	LABEL SHEET - MIGHTY 400	
19	INV01153		1	BATTERY - VITO	

# COMPONENT REVIEW



ASSEMBLY - ANCHOR SPINDLE - 1.90" DIA. SQ DRIVE - INV03491				
ITEM	PART NO.	QTY.	REV.	DESCRIPTION
1	INV03490	1	1	WELDMENT - ANCHOR SPINDLE SQ DRIVE
2	INV00378	1	P1	ROLLER BEARING - 1.25" I.D. X 2.33" O.D. X 5/8"
3	INV00617	1	P1	NEEDLE BEARING - K50MMX55MMX20MM
4	INV01834	1	P1	RETAINING RING - EXTERNAL (SPIRAL)

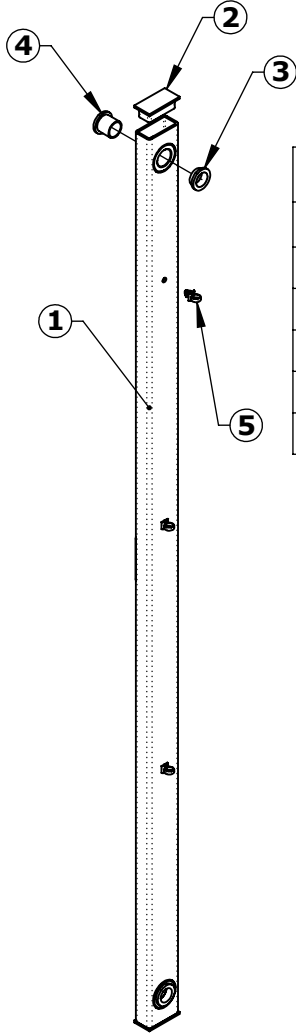
ASSEMBLY - MAIN FRAME - INV02792				
ITEM	PART NO.	QTY.	REV.	DESCRIPTION
1	INV02075	1	P1	WELDMENT - MAIN FRAME
2	INV01823	1	1	MACHINED - TS - 3/4"-10X10.50" THREADED STUD
3	INV01821	1	P1	MACHINED - TS - 3/4"-10X6.00" THREADED STUD
4	INV00738	4	N/A	NN - 3/4"-10 NYLOCK NUT



ASSEMBLY - MOTOR MOUNT - INV02755				
ITEM	PART NO.	QTY.	REV.	DESCRIPTION
1	INV02083	1	P1	WELDMENT - MOTOR MOUNT
2	INV00428	4	P1	BOLT - BHW 1/4"-20X3/8" SERRATED
3	INV01182	4	P1	WL - 1/4" LOCK WASHER
4	INV00345	4	P1	BB - 1/4"-20X1/2" BUTTON HEAD BOLT
5	INV03462	1	1	PART - ROTATIONAL MOTOR - SQUARE DRIVE-24VDC

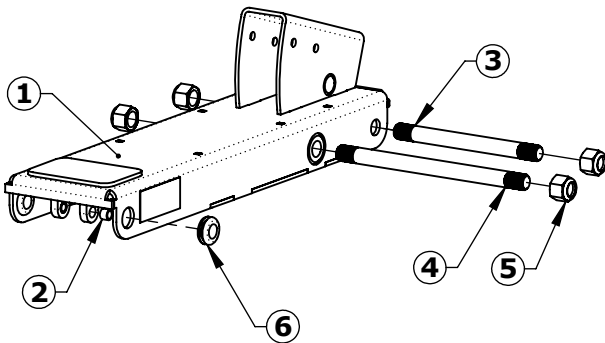
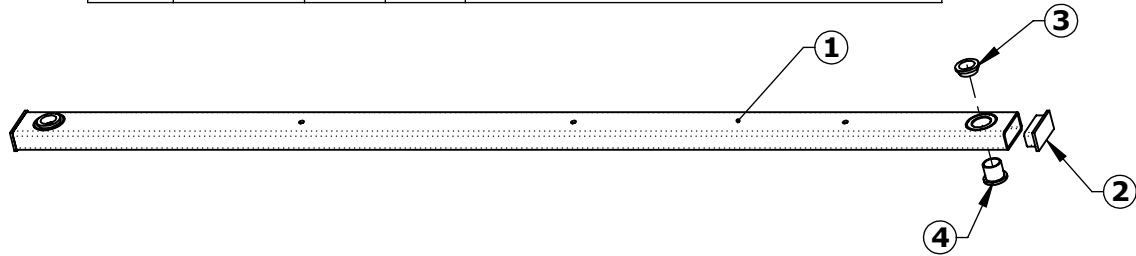
\*ALL LABELS (EXCEPT BATTERY LABELS) INCLUDED IN "LABEL SHEET" ON REORDER PAGE

# COMPONENT REVIEW



ASSEMBLY - CONTROL ARM - 51.25" (B) - INV02795				
ITEM	PART NO.	QTY.	REV.	DESCRIPTION
1	INV02078	1	P1	WELDMENT - CONTROL ARM - 51.00"
2	INV00978	2	P1	END CAP - RECT. 1.00"X2.00"X.120"
3	INV00445	2	P1	BRB - 3/4"X7/8"X1/4"X1/8" BRONZE BUSHING
4	INV00446	2	P1	BRB - 3/4"X7/8"X3/4"X1/8" BRONZE BUSHING
5	INV00179	3	P1	CLIP - ROUTING 3/8"

ASSEMBLY - CONTROL ARM - 51.25" - INV02796				
ITEM	PART NO.	QTY.	REV.	DESCRIPTION
1	INV02078	1	P1	WELDMENT - CONTROL ARM - 51.00"
2	INV00978	2	P1	END CAP - RECT. 1.00"X2.00"X.120"
3	INV00445	2	P1	BRB - 3/4"X7/8"X1/4"X1/8" BRONZE BUSHING
4	INV00446	2	P1	BRB - 3/4"X7/8"X3/4"X1/8" BRONZE BUSHING

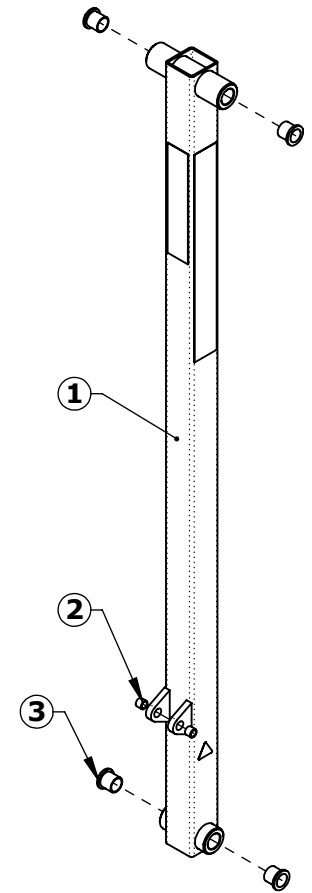


ASSEMBLY - MAIN FRAME - INV02792				
ITEM	PART NO.	QTY.	REV.	DESCRIPTION
1	INV02084	1	1	WELDMENT - TOP CASING
2	INV00448	2	N/A	BRB - 1/2"X3/8"X3/8" BRONZE BUSHING
3	INV01822	1	1	MACHINED - TS - 3/4"-10X8.00" THREADED STUD
4	INV01823	1	1	MACHINED - TS - 3/4"-10X10.50" THREADED STUD
5	INV00738	4	N/A	NN - 3/4"-10 NYLOCK NUT
6	INV01901	2	N/A	GROMMET - PUSH IN - 1" DIA.

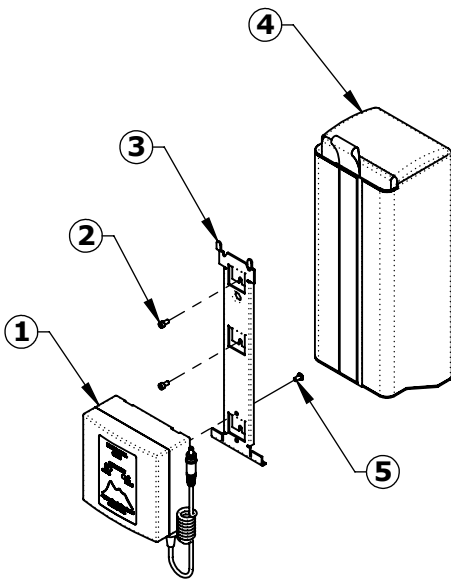
\*ALL LABELS (EXCEPT BATTERY LABELS) INCLUDED IN "LABEL SHEET" ON REORDER PAGE

# COMPONENT REVIEW

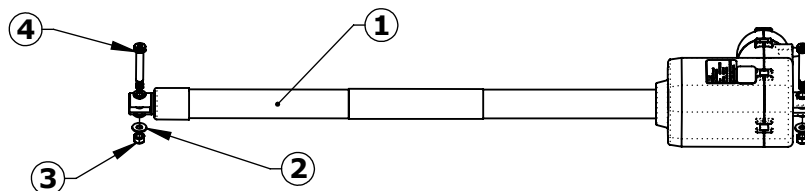
ASSEMBLY - LIFTING ARM - 49.75" - INV02798				
ITEM	PART NO.	QTY.	REV.	DESCRIPTION
1	INV02085	1	P1	WELDMENT - LIFTING ARM - 49.75"
2	INV00448	2	N/A	BRB - 1/2"X3/8"X3/8" BRONZE BUSHING
3	INV00446	4	P1	BRB - 3/4"X7/8"X3/4"X1/8" BRONZE BUSHING



ASSEMBLY - CONTROL BOX (VITO) - INV03498				
ITEM	PART NO.	QTY.	REV.	DESCRIPTION
1	INV01151	1	P1	CONTROL BOX - VITO 2 PORT - 10AMP
2	INV00471	2	P1	BSH - #10-24X3/8" SOCKET HEAD BOLT
3	INV00612	1	P1	BRACKET - VITO MOUNT
4	INV00588	1	P1	COVER - UNIVERSAL BATTERY - BLUE
5	INV03477	1	1	SPH 10-32 X 3/8" PHILLIPS HEAD SCREW



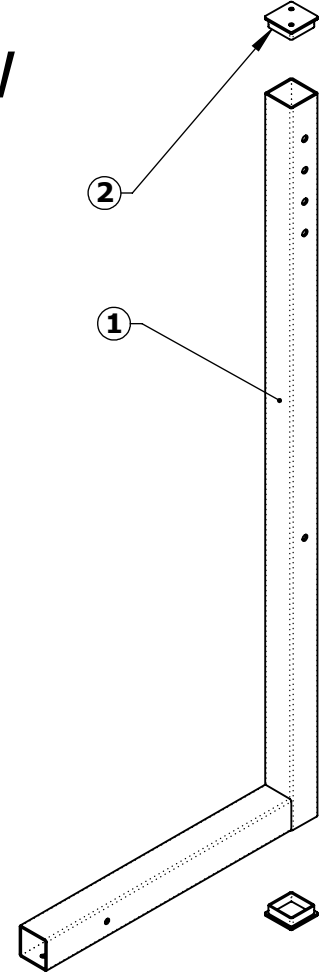
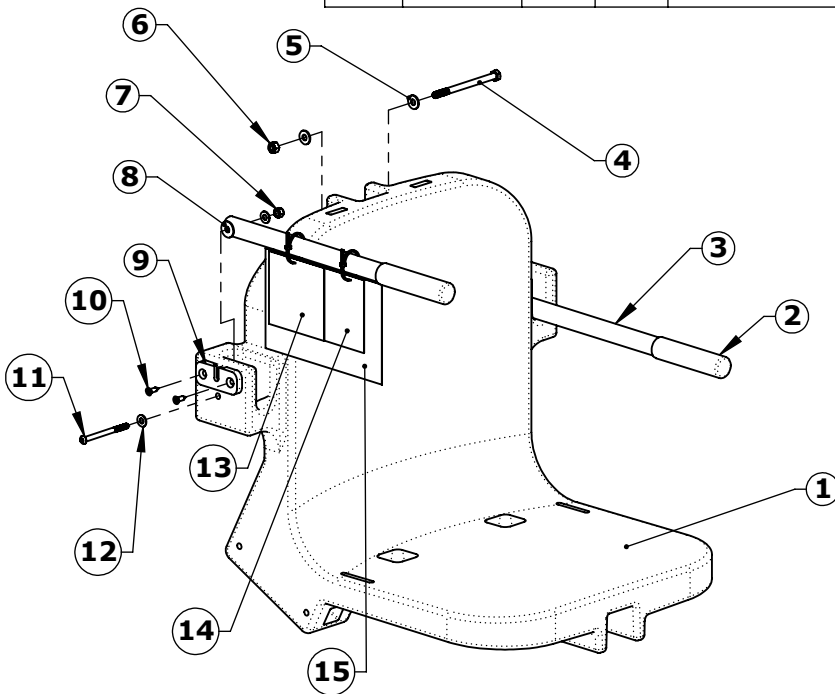
ACTUATOR KIT - LINAK - 600MM - 90DEG. - INV03072				
ITEM	PART NO.	QTY.	REV.	DESCRIPTION
1	INV01677	1	1	ACTUATOR - 600MM LINAK 90 DEG.
2	INV01176	2	N/A	WF - 5/16" FLAT WASHER
3	INV00742	2	N/A	NN - 5/16"-18 NYLOCK NUT
4	INV00464	2	N/A	BS - 3/8"X2"X5/16"-18 SHOULDER BOLT



\*ALL LABELS (EXCEPT BATTERY LABELS) INCLUDED IN "LABEL SHEET" ON REORDER PAGE

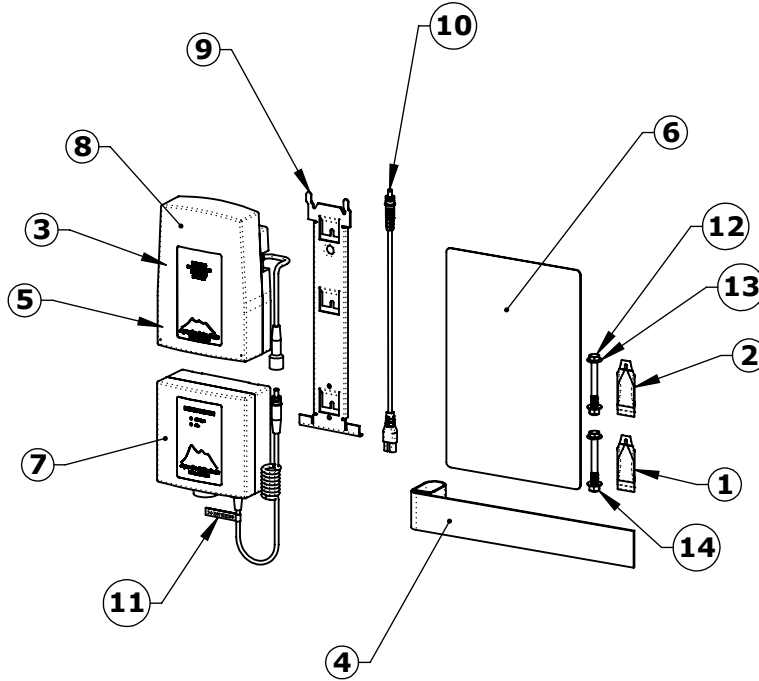
# COMPONENT REVIEW

ASSEMBLY - SEAT CRADLE - INV02801				
ITEM	PART NO.	QTY.	REV.	DESCRIPTION
1	INV02082	1	P2	WELDMENT - SEAT CRADLE
2	INV01082	2	N/A	END CAP - SQR. 2.00"X.120"



MIGHTY 400 - INV01698				
ITEM	PART NO.	QTY.	REV.	DESCRIPTION
1	INV00819	1	P1	ROTMOLD - SEAT 18.00" - BLUE
2	INV01031	2	P1	HAND GRIP - RUBBER 1.00" DIA.
3	INV02227	2	1	MAKE - ARMREST TUBE
4	INV00421	1	P1	BH - 5/16"-18X4 1/2" HEX HEAD BOLT
5	INV01176	2	N/A	WF - 5/16" FLAT WASHER
6	INV00742	1	N/A	NN - 5/16"-18 NYLOCK NUT
7	INV00735	2	P1	NN - 1/4"-20 NYLOCK NUT
8	INV03136	2	P1	WF - 5/16" NYLON
9	INV00783	1	P1	REMOTE HOLDER
10	INV01057	2	P1	SFH - #12X3/4" PHILLIPS HEAD SCREW
11	INV00349	2	P1	BB - 1/4"-20X3 1/4" BUTTON HEAD BOLT
12	INV01170	4	P1	WF - 1/4" FLAT WASHER
13	INV03378	1	P1	ATTENTION: ADJUSTABLE SEAT WARNING TAG
14	INV00670	1	P1	LABEL #87 - PROPER CARE
15	INV00665	1	P1	LABEL #75 - SAFETY CARD

# COMPONENT REVIEW



STOCK BOX - VITO - INV03287				
ITEM	PART NO.	QTY.	REV.	DESCRIPTION
1	INV01152	1	P1	CHARGER - VITO 24V
2	INV01804	1	P1	LABEL #146 - DAILY CHARGE
3	INV00646	1	P1	LABEL #133 - PROP 65 (BATTERY)
4	INV01153	1	P1	BATTERY - VITO 24V - 2PC CONTROLS
5	INV00611	1	P1	BRACKET - WALL MOUT (VITO)
6	INV00591	1	P1	TEST CABLE - VITO 24V
7	INV00578	1	P1	SIGN - "ADA LIFT AVAILABLE" (AQUA CREEK)
8	INV00418	2	P1	BOLT - HEX 5/16"-18X3"
9	INV01176	4	N/A	WF - 5/16" FLAT WASHER
10	INV00303	1	P1	ANTI-SEIZE - PACKET - 5 GRAMS
11	INV00249	1	N/A	DIELECTRIC GREASE PACKET - 6 GRAMS
12	INV00742	2	N/A	NN - 5/16"-18 NYLOCK NUT
13	INV00534	1	P1	CHAIR - SEAT BELT
14	INV01699	1	P1	LABEL #145 - DO NOT UNPLUG



## LIMITED FIVE (5) YEAR WARRANTY

Aqua Creek Products, LLC (a.k.a. Aqua Creek) warrants to the original end user purchaser that products manufactured by Aqua Creek, when properly installed in accordance with assembly and installation instructions, and properly used and maintained, shall be free from defects in material and workmanship for a period of *five (5) years from the date of original purchase*, provided that Aqua Creek receives prompt notice in writing of any defect or failure and satisfactory proof thereof, with the following exception(s):

**Exceptions:**

All electrical components, including the linear actuator shall have the following warranty period:

Year 1-2: 100% Coverage

Year 3: 60% Coverage (Customer is responsible for 40% of replacement cost)

Year 4: 50% Coverage (Customer is responsible for 50% of replacement cost)

Year 5: 40% Coverage (Customer is responsible for 60% of replacement cost)

Hydraulic actuators and mesh slings shall have a warranty period of *one (1) year from the date of original purchase*.

Powder coat finish scratches, scrapes, corrosion, or dents from customers normal use, negligence, or abuse.

This warranty specifically excludes reimbursement for labor to remove, repair, or install the product and any shipping charges. These warranties do not cover any damages due to accident, force majeure, act of nature, misuse, abuse, negligence or failure to properly maintain any products, or normal wear and tear from day to day operations. In the event that any products are altered, repaired, or improperly installed or improperly used by anyone without the prior written approval by Aqua Creek, all warranties are void. **IMPORTANT: AMOUNT OF WEIGHT PLACED ON LIFT SHALL NOT EXCEED THE RATED LIFTING CAPACITY FOR THE LIFT. NEVER OPERATE THE LIFT UNDER LOAD IN A DRY POOL (WITH NO WATER IN THE POOL).** It is the responsibility of the lift owner to verify the weight of the patron for warranty claim purposes and to ensure that the lift is not overloaded. Non-payment for product to Aqua Creek may void warranty.

To initiate a warranty claim, the owner of an Aqua Creek product must provide the place of purchase, in writing, with a full description of the product, its serial number, the dates of purchase and installation, and the exact nature of the defect. Within thirty (30) days after receipt of a written warranty claim by Aqua Creek, and barring any unforeseen delays, the place of purchase will be notified of Aqua Creek's decision regarding the claim.

If requested by Aqua Creek, any defective product must be returned, freight prepaid by customer, to Aqua Creek's designated factory location or duly appointed distributor for inspection and/or repair. Aqua Creek will, at its option, repair or replace the failed or defective item, and deliver the repaired product or replacement to the customer. All freight charges are the responsibility of the customer. Products returned to Aqua Creek for which Aqua Creek provides replacement under this limited warranty shall become the property of Aqua Creek. A new warranty period shall NOT be established for the repaired or replaced products. Such products shall remain under warranty only for the remainder of the original warranty period on the original products purchased.

This written limited warranty constitutes the final, complete and exclusive statement of warranty terms. No person or organization is authorized to make any other specific or implied warranties or representations on behalf of Aqua Creek.

THE WARRANTIES SET FORTH HEREIN ARE IN LIEU OF ALL OTHER WARRANTIES, EXPRESSED OR IMPLIED, WHICH ARE HEREBY DISCLAIMED AND EXCLUDED, INCLUDING WITHOUT LIMITATION ANY WARRANTY OF MERCHANTABILITY OR FITNESS FOR A PARTICULAR PURPOSE OR USE.

THE SOLE AND EXCLUSIVE REMEDIES FOR BREACH OF ANY AND ALL WARRANTIES WITH RESPECT TO THE PRODUCTS SHALL BE LIMITED TO REPAIR OR REPLACEMENT AT AQUA CREEK'S DESIGNATED FACTORY LOCATION, OR DULY APPOINTED DISTRIBUTOR, OR IN PLACE AT AQUA CREEK'S OPTION. IN NO EVENT SHALL AQUA CREEK'S LIABILITY EXCEED THE ENTIRE AMOUNT PAID TO AQUA CREEK BY THE ORIGINAL PURCHASER FOR THE FAILED OR DEFECTIVE PRODUCT. IN NO EVENT SHALL AQUA CREEK PRODUCTS, LLC BE LIABLE FOR ANY INCIDENTAL, CONSEQUENTIAL, SPECIAL, INDIRECT, PUNITIVE OR EXEMPLARY DAMAGES OR LOST PROFITS FROM ANY BREACH OF THIS LIMITED WARRANTY OR OTHERWISE.

THIS WARRANTY GIVES YOU SPECIFIC LEGAL RIGHTS AND YOU MAY ALSO HAVE OTHER RIGHTS, WHICH MAY VARY FROM STATE TO STATE. SOME STATES DO NOT ALLOW THE EXCLUSION OR LIMITATION OF INCIDENTAL, SPECIAL OR CONSEQUENTIAL DAMAGES, SO SOME OF THE ABOVE LIMITATIONS OR EXCLUSIONS MAY NOT APPLY TO YOU.

## BASIC TROUBLESHOOTING

1. Make note of the complaint, such as lift is not operating at all, lift won't return to deck, etc...
2. Make note of any noises the lift may be making, such as grinding, clicking, buzzing, beeping. Try to identify where the noises are coming from, i.e. the actuator, battery, control box, etc...
3. If a 'beeping' noise is coming from the battery, chances are the battery is dead or not charged enough to operate the lift. It is designed to have an audible alarm when it reaches below a certain charge level. Check the battery voltage and either charge the battery or replace it with a new one:
  1. Lay the battery on a flat, dry surface.
  2. Plug the battery test cable into the battery before testing
  3. Make sure your voltmeter is on and changed to DC mode.
  4. Put one probe inside each of the holes at the end of the test cable.
  5. The volt metal should read 24 Volts or higher for a good battery. A negative Voltage indicates reversed probe polarity.
  6. Sometimes it will have sufficient voltage but insufficient amperage. If so, the battery can be taken into a battery store to have an 8amp load test done to check for proper amperage.
4. If the battery just came off the charger and is fully charged, check to make sure the charger is plugged in and charging properly. This can be done with the volt meter:
  1. Verify the charger is plugged into a working wall outlet.
  2. Plug a known good/working battery into the charger for 5 seconds
  3. Unplug battery and place one probe from your voltmeter into the male end on the charger cable and the other probe on outside of the male end of the charging cable. Voltage should be reading at least 27 volts DC. A negative Voltage indicates reversed probe polarity. If it reads 0 Volts it most likely means you have a faulty battery
5. Verify the cords are properly seated in the control box ports and are not damaged or corroded. We suggest unplugging and then plug back in making sure they are seated properly. Clean any corrosion off of the tabs on the battery and plugs if there is any.
6. Remove any black or grey pieces surrounding the metal tabs on the control box.

Once these steps are complete call Aqua Creek Products and talk to Technical Support for further assistance. (888)687-3552 or go online and watch our troubleshooting videos:  
<https://aquacreekproducts.com/help-center/troubleshooting/>

**ONCE THESE STEPS ARE COMPLETE CALL AQUA CREEK PRODUCTS AND TALK TO TECHNICAL SUPPORT FOR FURTHER ASSISTANCE OR GO ONLINE AND WATCH OUR TROUBLESHOOTING VIDEOS:**

**(888)687-3552**

**[HTTPS://AQUACREEKPRODUCTS.COM/HELP-CENTER/TROUBLESHOOTING/](https://aquacreekproducts.com/help-center/troubleshooting/)**

