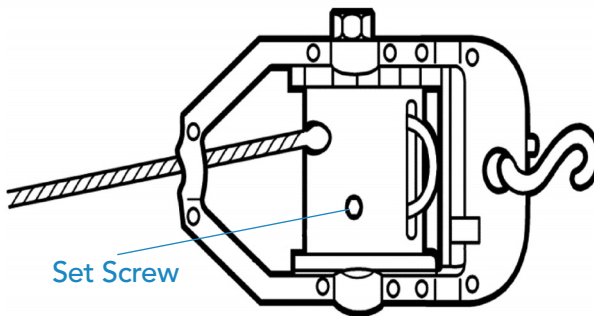


# Install & Replacement Instructions for Competitor® Ratchet (Take Up Reel)

## RATCHET INSTALL

Please Note: When purchasing a new lane line, the ratchet (take up reel) is part of the complete lane line assembly.



1. Remove allen wrench from instruction sheet.
2. Loosen set screw located on ratchet reel.
3. Remove old cable from ratchet reel.
4. Replace new cable in same sequence as the old cable.
5. Reset set screw into ratchet reel and secure.



[www.competitorswim.com](http://www.competitorswim.com)  
800-888-SWIM (7946)

# Operating Instructions for Competitor® Ratchet (Take Up Reel)

## TIPS & WARNINGS

1. Check the proper lane installation diagrams on the back to ensure your set up allows for proper cable wrapping around the spool when under tension.
2. Lanes should never be over tightened. Under normal use, a reliable gauge for proper tension is done by hand tightening the spool then applying the wrench and moving the cylinder three notches.
3. When reel is under tension, never hit thumb pawl with ratchet wrench to release catch lock. **DO NOT allow spool to run free.** This could damage the teeth of the spool, cause a backlash of cable and be dangerous to the operator.
4. The cable of the lane is designed to be used under normal conditions. Improper use such as hanging on the lane or jumping in and grabbing the lane may cause the cable to rupture or damage the ratchet (take up reel).
5. The Competitor® Ratchet (Take Up Reel) is very durable and built for the rugged conditions of a pool. With proper care, a Competitor® reel will last a lifetime. When misused the reel can be damaged beyond repair in a short time.