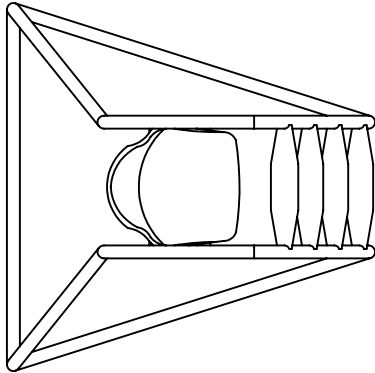
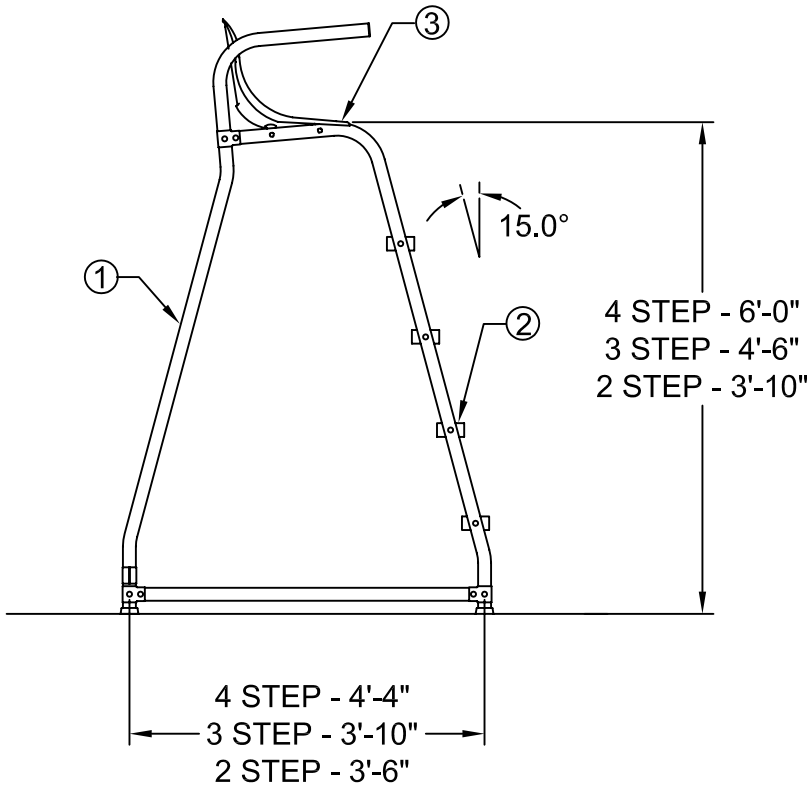
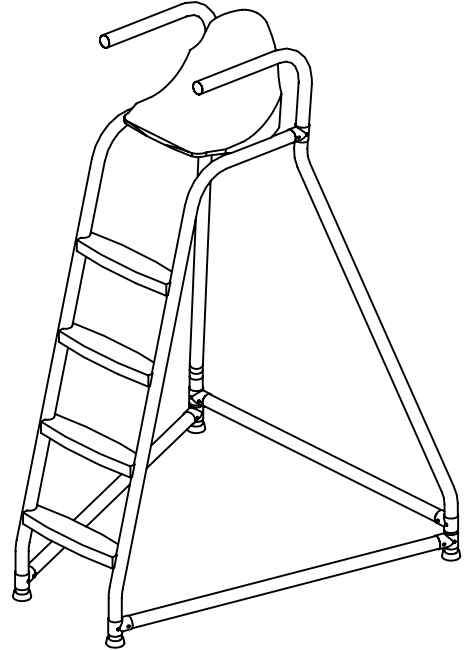


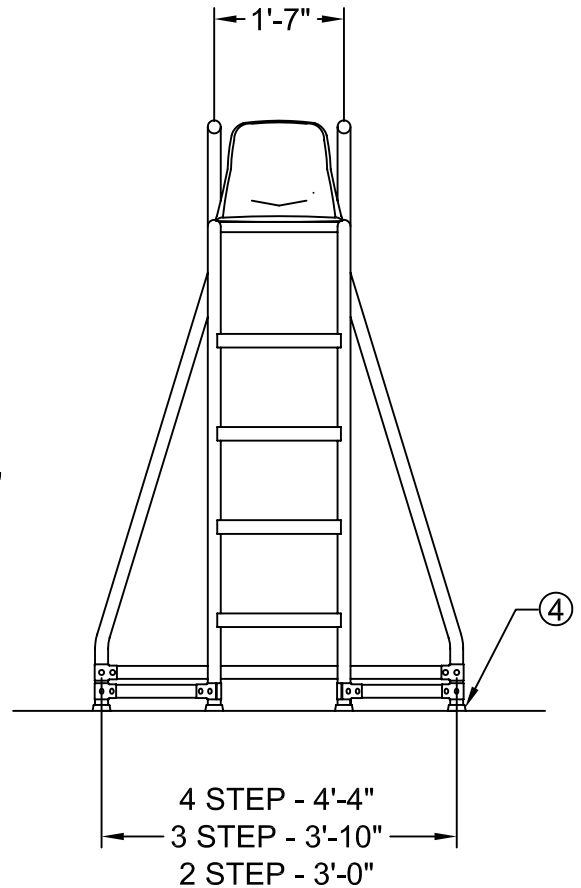
Portable Lifeguard Chair



PLAN VIEW



SIDE VIEW



FRONT VIEW

Supersedes specification sheet dated 8/94

The data represents the latest knowledge available to us at time of presentation. However, Paragon Aquatics and others involved in gathering and presenting this drawing assume no liability for its use.



PARAGON AQUATICS

Pentair Water
Commercial Pool & Aquatics

1351 Route 55
LaGrangeville, New York
12540
Phone: 845-463-7200
Fax: 845-463-7291
www.paragonaquatics.com

Drawn by: RV Date: 6/27/08

Approved by: JMM Date: 6/27/08

Sheet Title: Portable Lifeguard Chair

Drawing Number: SS-LG20.37

Revision Letter: B

Sheet: 1 of 2

Portable Lifeguard Chair

Part Number: **4 STEP - 20401**
 3 STEP - 20460
 2 STEP - 20450

Specifications

- ① The lifeguard chair superstructure shall be manufactured of ASTM A-554 certified 1.90" x .065" wall thickness Type 304 stainless steel polished to a 320 grit finish.
- ② The mounting steps shall be made of white, UV stabilized, ABS plastic with an integral, 4" wide non-skid surface. The steps shall fit a 19" post spacing (center to center) and be positioned 15° off vertical.
- ③ The fiberglass seat shall be anchored to the structure and shall be located at a height of 3'-10", 4'-6" or 6'-0" respectively, above the pool deck.
- ④ The posts of the superstructure shall have rubber bumpers installed on them to prevent damage to pool deck tile, as well as to aid in preventing movement of the chair while in use.

General

The stainless steel frame shall be electro-chemically passivated on all worked areas for maximum corrosion resistance. All bends shall be smooth and wrinkle free. All hardware shall be 18-8 stainless steel. Custom designs and modifications are available upon request.

Accessories

ID Number	Description
20701	Lifeguard Chair Seat (Turquoise)
44104	19" Sloping ABS Step with Hardware
44201	Rubber Bumper White
20404	Wheel Kit with Hardware for 4-step model
20403	Wheel Kit with Hardware for 3-step model
20402	Wheel Kit with Hardware for 2-step model

The data represents the latest knowledge available to us at time of presentation. However, Paragon Aquatics and others involved in gathering and presenting this drawing assume no liability for its use.

© 2008 Paragon Aquatics



**PARAGON
AQUATICS**

Pentair Water
Commercial Pool & Aquatics

1351 Route 55
LaGrangeville, New York
12540
Phone: 845-463-7200
Fax: 845-463-7291
www.paragonaquatics.com

Drawn by: RV	Date: 6/27/08	Approved by: JMM	Date: 6/27/08
Sheet Title:	Portable Lifeguard Chair		
Drawing Number: SS-LG20.37	Revision Letter: B	Sheet: 2 of 2	