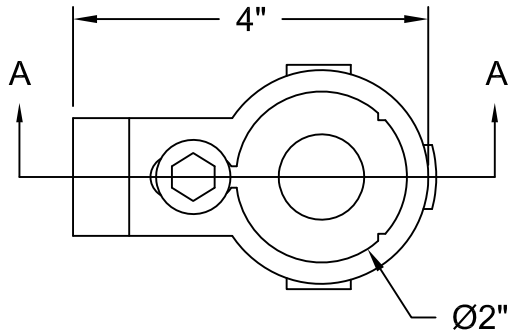
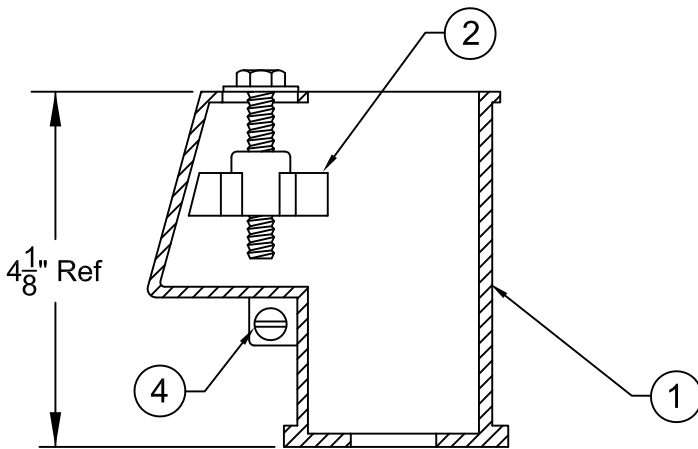
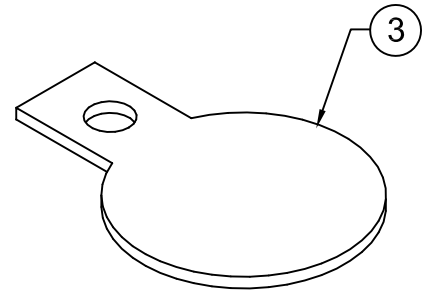


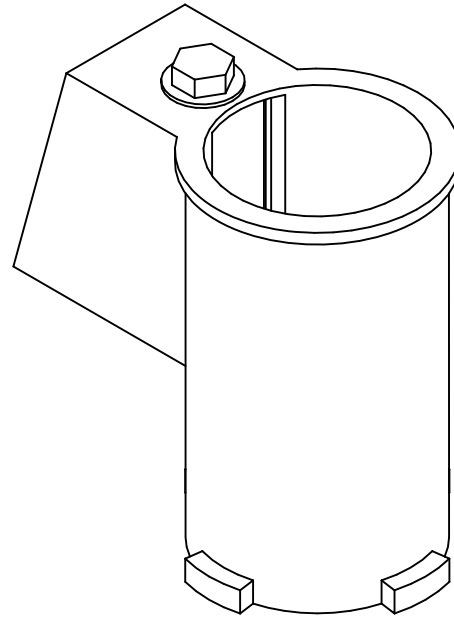
Bronze Wedge Anchor for 1.90" OD



TOP VIEW



SECTION A-A



Part Number: 28102

Specifications

- ① Anchor socket body shall be made of cast bronze with a hole in the bottom of the anchor to assist with drainage. Socket depth shall be 4 inches.
- ② Locking wedge shall consist of a cast bronze wedge with a 3/8" stainless steel bolt.
- ③ Anchor Socket cover (#28104) sold separately.
- ④ Brass screw shall be provided for grounding/bonding purposes.

General

All hardware shall be 18-8 stainless steel. Anchor is to be fully embedded in concrete and installed per Paragon Aquatics installation instructions. Anchor is intended for use with only Paragon Aquatics products.

Accessories

28410X	Replacement Wedge Assembly w/ hardware
--------	--

The data represents the latest knowledge available to us at time of presentation. However, Paragon Aquatics and others involved in gathering and presenting this drawing assume no liability for its use.

© 2011 Paragon Aquatics



**PARAGON
AQUATICS**
Pentair Water
Commercial Pool & Aquatics

1351 Route 55
LaGrangeville, New York
12540
Phone: 845-463-7200
Fax: 845-463-7291
www.paragonaquatics.com

Drawn by: RV	Date: 10/22/10	Approved by: SF	Date: 10/22/10
Sheet Title: Bronze Wedge Anchor for 1.90" OD			
Drawing Number: SS-AA20.81	Revision Letter: B	Sheet: 1 of 1	