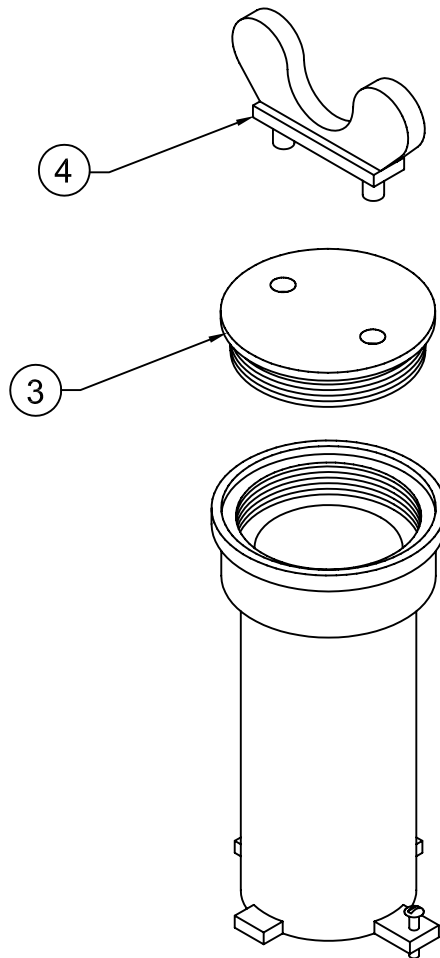
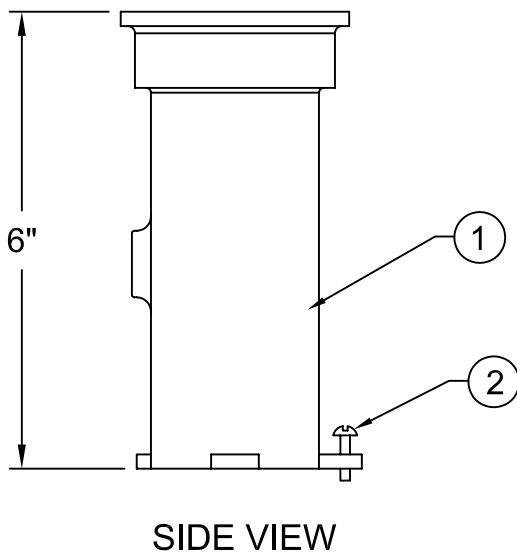
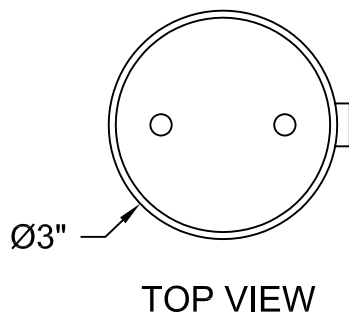


Stanchion Socket (Threaded Cap)



Part Number: **38201-TC**

Specifications

- ① The main body of the anchor shall be made of cast bronze and have a socket depth of 6" for use with 1.90 O.D. stanchions. An internal thread shall be provided at the top of the anchor to accept the threaded cap (provided).
- ② Bonding/grounding screw shall be provided where grounding and bonding of anchor is required.
- ③ The anchor shall be provided with a threaded cap made of cast bronze. The cap should be used when the anchor is not in use. A tamper-proof design on the cap requires the use of a special key for cap removal (ordered separately).
- ④ The threaded cap removal key (ordered separately) shall be made of cast bronze and shall be used for the removal of the threaded cap.

General

Anchor system is to be fully embedded in concrete and installed per Paragon Aquatics installation instructions. Anchor system is intended for use with only Paragon Aquatics products.

Accessories

38202	Key for Bronze Threaded Cap
-------	-----------------------------

The data represents the latest knowledge available to us at time of presentation. However, Paragon Aquatics and others involved in gathering and presenting this drawing assume no liability for its use.



**PARAGON
AQUATICS**
Pentair Water
Commercial Pool & Aquatics

1351 Route 55
LaGrangeville, New York
12540
Phone: 845-463-7200
Fax: 845-463-7291
www.paragonaquatics.com

Drawn by: RV Date: 6/27/08 Approved by: SF Date: 6/27/08

Sheet Title: Stanchion Socket (Threaded Cap)

Drawing Number: SS-AA20.86

Revision Letter: A

Sheet: 1 of 1