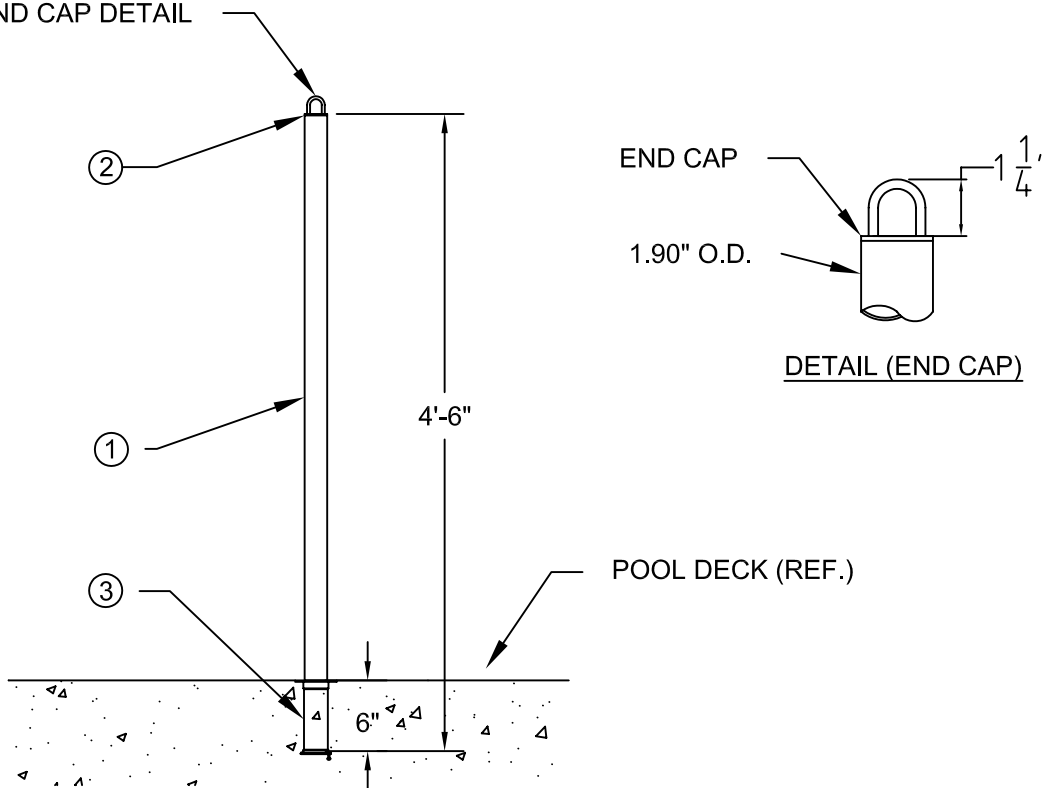


4'-6" Stanchion Post

SEE END CAP DETAIL



Part Number: 38101 (1.90" x .065" T304 s/s)
 38103 (1.90" x .109" T304 s/s)
 38105 (1.90" x .145" T304 s/s)

Specifications

- ① The stanchion post shall be furnished individually and shall be fabricated from ASTM A-554 certified 1.90" x _____" wall thickness Type 304 stainless steel polished to a 320 grit finish.
- ② An end cap with welded u-hook shall be provided on the end of the stanchion post.
- ③ The stanchion shall be anchored in 6" deep anchor sockets (not included), which shall be fully imbedded in a concrete deck. The stanchion shall be removable without the use of tools.

General

The stainless steel shall be electro-chemically passivated on all worked areas for maximum corrosion resistance. All hardware shall be 18-8 stainless steel. Custom designs and modifications are available upon request.

Stanchion Accessories

| ID Number | Description |
|-----------|---|
| 38201 | Stanchion socket, bronze w/slip fit cover |
| 38201 TC | Stanchion socket, bronze, w/threaded cap |
| 38202 | Key, for bronze threaded stanchion socket |
| 38210 | Stanchion socket, stainless steel, w/slip fit cover |
| 38301 | Sliding collar, with eye bolt |

The data represents the latest knowledge available to us at time of presentation. However, Paragon Aquatics and others involved in gathering and presenting this drawing assume no liability for its use.



**PARAGON
AQUATICS**
Pentair Water
Commercial Pool & Aquatics

1351 Route 55
LaGrangeville, New York
12540
Phone: 845-463-7200
Fax: 845-463-7291
www.paragonaquatics.com

| | | | |
|-----------------------------------|--------------------|------------------|---------------|
| Drawn by: SF | Date: 6/27/08 | Approved by: JMM | Date: 6/27/08 |
| Sheet Title: 4'-6" Stanchion Post | | | |
| Drawing Number: SS-AA20.67 | Revision Letter: C | Sheet: 1 of 1 | |