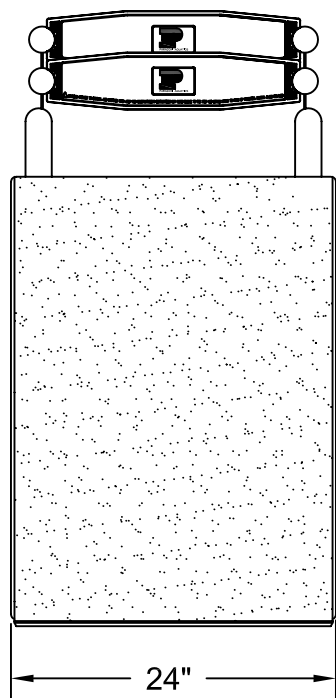
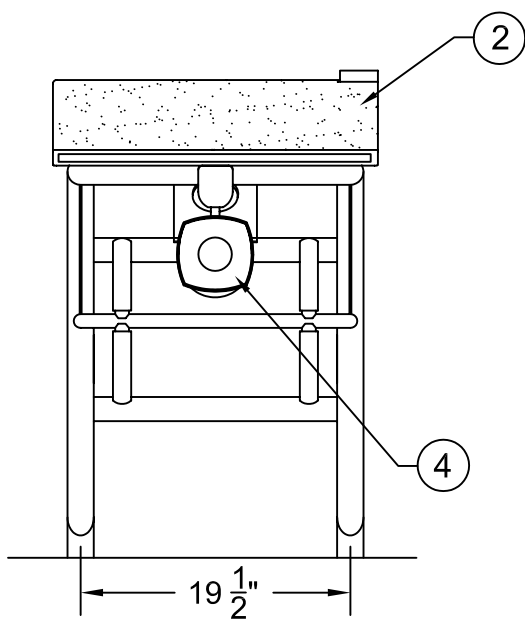
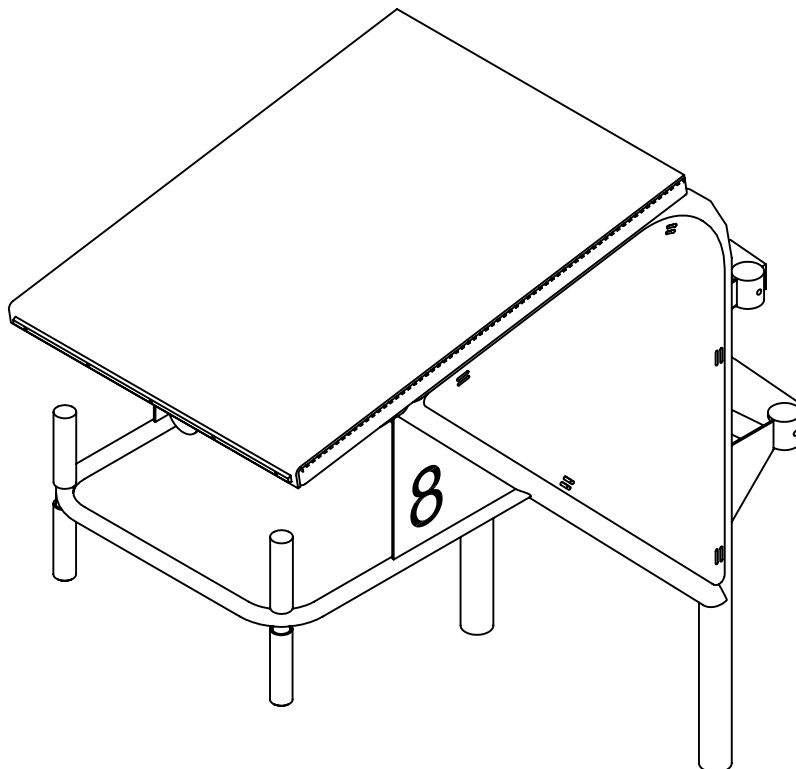


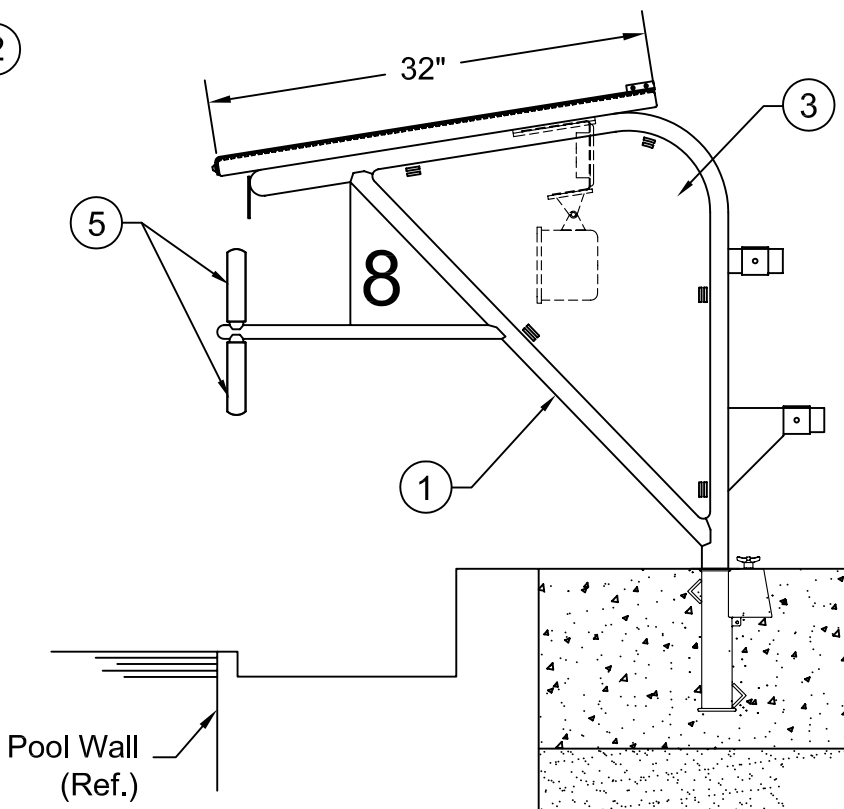
Colorado Block™ Long Reach Track Start Model



PLAN VIEW



FRONT VIEW



SIDE VIEW

The data represents the latest knowledge available to us at time of presentation. However, Paragon Aquatics and others involved in gathering and presenting this drawing assume no liability for its use.



**PARAGON
AQUATICS**
Pental Water
Commercial Pool & Aquatics

1351 Route 55
LaGrangeville, New York
12540
Phone: 845-463-7200
Fax: 845-463-7291
www.paragonaquatics.com

Drawn by: JMM Date: 3/8/10 Approved by: RV Date: 3/8/10

Sheet Title: Colorado Block Long Reach Track Start

Drawing Number: SS-SP10.71

Revision Letter: D

Sheet: 1 of 2

Colorado Block™ Long Reach Track Start Model

Part Number Requires:

22601 Thru 22621 - Paragon Long Reach Track Start Platform

22671D - Colorado Block Adaptor Kit (Sponsor's Panels, Mounting Hardware/Brackets)

22670E - Colorado Time Systems Equipment (RJP, Horn, Connection Plate)

Specifications

- ① The Long Reach Track Start starting platform shall have an elevated platform top supported by a sloping stainless steel frame. The platform frame shall be manufactured of 1.90" diameter x .109" wall thickness Type 304 stainless steel polished to a 320 grit finish. The platform posts shall be reinforced with a welded 1.66" diameter x .140" wall thickness Type 304 stainless steel insert. The backstroke bar shall be made of 1" diameter x .065" wall thickness Type 304 stainless steel polished to a 320 grit finish, and located in a range consistent with all ruling bodies. The backstroke bar and step support shall be fully welded to the pedestal. The platform top (24" x 32") shall be constructed of UV inhibited high density polypropylene. It shall have a dual non-skid cross grooved with a sand textured finish surface.
- ② The Relay Judging Platform (RJP) shall include a start indicator light located at the front of the platform. The RJP shall have non-skid surface and shall be capable of 1/100th of one second timing accuracy. The RJP shall mount in existing holes of the platform top and be secured and removed without the use of tools using stainless steel quick connect hardware.
- ③ The platform shall include a pair of decorative enclosures (Sponsor's Panels) for logo artwork and graphic displays (by others) for advertising purposes. The Sponsor's Panels shall be made of either Type 304 stainless steel with a powder coated finish or white, UV inhibited, expanded PVC (Colors available upon request, depending on availability). The Sponsor's Panels shall be removeable without the use of tools.
- ④ A False Start Horn and Connection Plate shall be provided with mounting plate to mount on to the underside of the platform top for easy access.
- ⑤ Dual vertical, FINA style backstroke bars shall be permanently affixed to the platform superstructure. Rubber hand grips shall be provided on each bar.

General

The stainless steel frame shall be electro-chemically passivated on all worked areas for maximum corrosion resistance. All hardware shall be 18-8 stainless steel. Custom designs and modifications are available upon request.

Notes

1. Sponsor's Panels vary in size and shape based on model of Long Reach Track Start Platform.
2. Refer to specification sheet SS-10.60.6 for specific Long Reach Track Start starting platform model selection.



WARNING : Starting platforms are to be used only by trained competitive swimmers. Only shallow racing dives should be executed. Impact with the pool bottom can cause serious injury. Please refer to applicable codes and regulations for your specific installation.

The data represents the latest knowledge available to us at time of presentation. However, Paragon Aquatics and others involved in gathering and presenting this drawing assume no liability for its use.



**PARAGON
AQUATICS**

Pentair Water
Commercial Pool & Aquatics

1351 Route 55
LaGrangeville, New York
12540
Phone: 845-463-7200
Fax: 845-463-7291
www.paragonaquatics.com

Drawn by: JMM	Date: 3/8/10	Approved by: RV	Date: 3/8/10
Sheet Title: Colorado Block Long Reach Track Start			
Drawing Number: SS-SP10.71	Revision Letter: D	Sheet: 2 of 2	