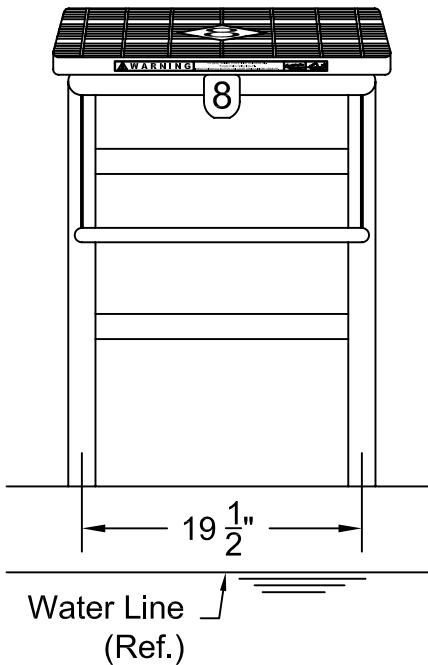
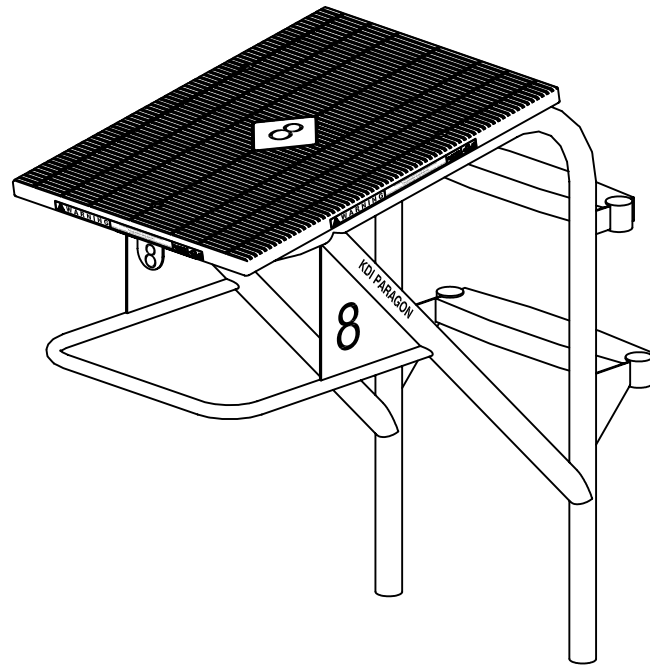
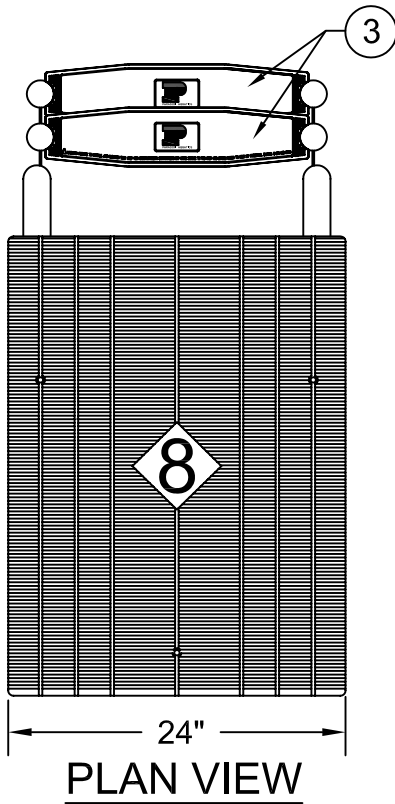
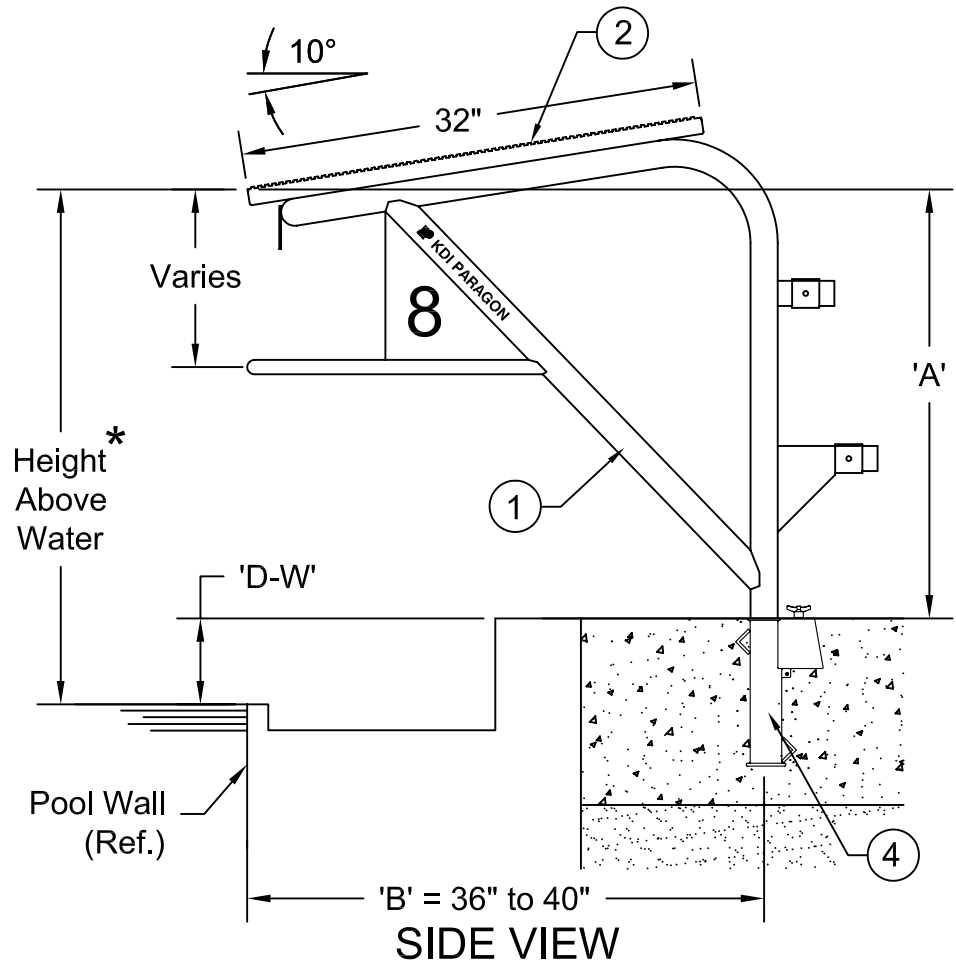


# Long Reach Track Start Competitor Platform ( B= 36" to 40" )



**FRONT VIEW**



The data represents the latest knowledge available to us at time of presentation. However, Paragon Aquatics and others involved in gathering and presenting this drawing assume no liability for its use.

© 2010 Paragon Aquatics



**PARAGON  
AQUATICS**

Pentair Water  
Commercial Pool & Aquatics

1351 Route 55  
LaGrangeville, New York  
12540  
Phone: 845-463-7200  
Fax: 845-463-7291  
www.paragonaquatics.com

Drawn by: JMM	Date: 3/8/10	Approved by: RV	Date: 3/8/10
Sheet Title: Long Reach Track Start Competitor Platform			
Drawing Number: SS-SP10.60.6	Revision Letter: E	Sheet: 1 of 2	

# Long Reach Track Start Competitor Platform (B= 36" to 40")

## Specifications

- ① The Long Reach Track Start Competitor starting platform shall have an elevated platform top supported by a sloping stainless steel frame. The platform frame shall be manufactured of 1.90" diameter x .109" wall thickness Type 304 stainless steel polished to a 320 grit finish. The platform posts shall be reinforced with a welded 1.66" diameter x .140" wall thickness Type 304 stainless steel insert. The backstroke bar shall be made of 1" diameter x .065" wall thickness Type 304 stainless steel polished to a 320 grit finish, and located in a range consistent with all ruling bodies. The backstroke bar and step support shall be fully welded to the pedestal.
- ② The platform top (24" wide x 32" deep) shall be constructed of UV inhibited high density polypropylene. It shall have a dual non-skid cross-grooved with a sand textured finish surface. The top shall be permanently positioned at a 10° tilt towards the pool.
- ③ The platform steps shall be made of injection molded, UV inhibited ABS material (white). The steps shall be 19" long x 4" wide with an integral non-skid surface.
- ④ The platform shall be anchored to the patented taper-lock 10" Dual Wedge Competitor anchor socket, ID #23140DW, and shall be removeable without the use of tools.

## General

The stainless steel frame shall be electro-chemically passivated on all worked areas for maximum corrosion resistance. All hardware shall be 18-8 stainless steel. Custom designs and modifications are available upon request.

## Selector Chart

		Identification #				Identification #	
'A'	'B'	Complete w/ Anchor	Less Anchor	'A'	'B'	Complete w/ Anchor	Less Anchor
31"	**	<b>24601</b>	24601-A	25 1/2"	**	<b>24612</b>	24612-A
30 1/2"	**	<b>24602</b>	24602-A	25"	**	<b>24613</b>	24613-A
30"	**	<b>24603</b>	24603-A	24 1/2"	**	<b>24614</b>	24614-A
29 1/2"	**	<b>24604</b>	24604-A	24"	**	<b>24615</b>	24615-A
29"	**	<b>24605</b>	24605-A	23 1/2"	**	<b>24616</b>	24616-A
28 1/2"	**	<b>24606</b>	24606-A	23"	**	<b>24617</b>	24617-A
28"	**	<b>24607</b>	24607-A	22 1/2"	**	<b>24618</b>	24618-A
27 1/2"	**	<b>24608</b>	24608-A	22"	**	<b>24619</b>	24619-A
27"	**	<b>24609</b>	24609-A	21 1/2"	**	<b>24620</b>	24620-A
26 1/2"	**	<b>24610</b>	24610-A	21"	**	<b>24621</b>	24621-A
26"	**	<b>24611</b>	24611-A				

\*\* - "B" dimension can vary between 36" and 40". Dimension must be specified at the time of order.

## Sizing Information (See drawing on reverse side)

- 1- "A" dimension shall be the vertical dimension from the top of the anchor socket at deck level to the top front edge of the platform top.
  - 2- "B" dimension shall be the horizontal dimension from the pool wall to the center of the anchor socket.
  - 3- "D-W" dimension shall be the vertical dimension from water level to the top of the anchor socket at deck level.
- \*- See specification sheet SS-SP10.50 for important information regarding platform sizing requirements and how to order.

## Accessories

ID Number	Description
23141DW	10" Dual Wedge Competitor anchor socket, individual
23140DW	10" Dual Wedge Competitor anchor socket assembly
23104	Setting jig for competitor anchor assembly
23990C	Color upgrade (per unit) for sand finish top
23991	Custom Logo Upgrade
23967	Safety cover for platforms with 24" x 32" tops



**WARNING** : Starting platforms are to be used only by trained competitive swimmers. Only shallow racing dives should be executed. Impact with the pool bottom can cause serious injury. Please refer to applicable codes and regulations for your specific installation.

The data represents the latest knowledge available to us at time of presentation. However, Paragon Aquatics and others involved in gathering and presenting this drawing assume no liability for its use.



**PARAGON  
AQUATICS**

Pentair Water  
Commercial Pool & Aquatics

1351 Route 55  
LaGrangeville, New York  
12540  
Phone: 845-463-7200  
Fax: 845-463-7291  
www.paragonaquatics.com

Drawn by: <b>JMM</b>	Date: <b>3/8/10</b>	Approved by: <b>RV</b>	Date: <b>3/8/10</b>
Sheet Title: <b>Long Reach Track Start Competitor Platform</b>			
Drawing Number: <b>SS-SP10.60.6</b>	Revision Letter: <b>E</b>	Sheet: <b>2 of 2</b>	