



Recreation Supply Company

The Commercial Pool Supply Specialists!™

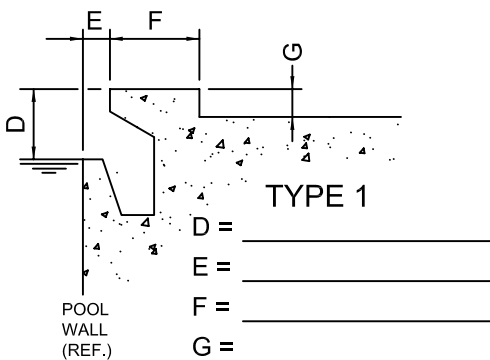
**Please email completed forms to:
sales@recsupply.com**

**If you need assistance filling out the forms
please call us at:**

800-437-8072 or 701-222-4860

Order Information Sheet

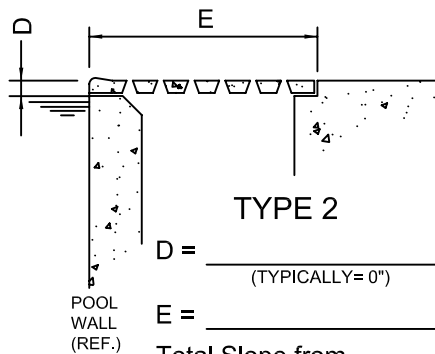
Please select the gutter type that most closely represents your pool's gutter profile. Fill in all dimensions that are applicable. If there is a slope to the deck please note accordingly. Also note if there are any rooms beneath the pool deck slab as this could affect the location of the anchors or the anchor type.



TYPE 1

D = _____
 E = _____
 F = _____
 G = _____

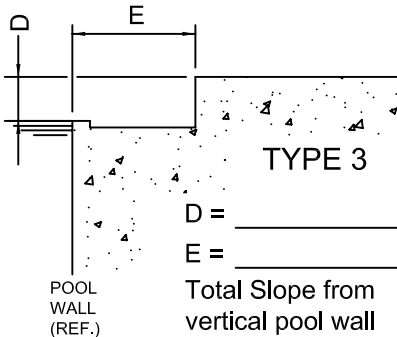
Total Slope from vertical pool wall to CL of anchor = _____ (or)
 Slope/ft. = _____
 Slope Towards or Away from pool (circle one)



TYPE 2

D = _____
 (TYPICALLY= 0")
 E = _____

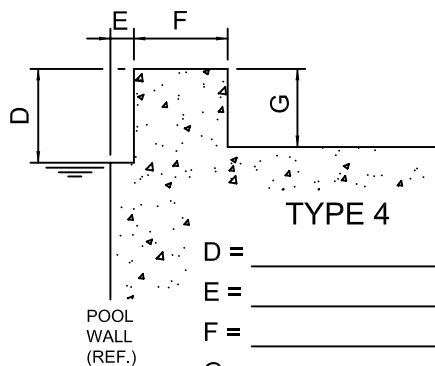
Total Slope from vertical pool wall to CL of anchor = _____ (or)
 Slope/ft. = _____
 Slope Towards or Away from pool (circle one)



TYPE 3

D = _____
 E = _____

Total Slope from vertical pool wall to CL of anchor = _____ (or)
 Slope/ft. = _____
 Slope Towards or Away from pool (circle one)



TYPE 4

D = _____
 E = _____
 F = _____
 G = _____

Total Slope from vertical pool wall to CL of anchor = _____ (or)
 Slope/ft. = _____
 Slope Towards or Away from pool (circle one)

**Use this chart to determine the desired height above water. This dimension will be used to calculate the starting platform's 'A' dimension.

Water Depth (feet)	Starting Platform Height Above Water				Water Depth Measurement From Pool Wall	Backstroke Bar Height Above Water	Size & Slope of Top (towards pool)
	Less than	4	4 1/2				
Equal or More Than			4	4 1/2			
Ruling Body & S/P Height Above Water (Inches)	FINA	No Starting Platform		20 - 29 1/2	1 to 6 Meters	.3 to .6 Meters (Horizontal & Vertical)	.5 Meters Square Min/ 10° Max
	NCAA	N/A	30 Max		Not Specified	30" Max	20" - 34" long x 20" Min wide/ 10° Max
	USAS	No Starting Platform	20 - 29 1/2 L.C. 30 Max S.C.		From 3'-3 1/2" to 16'-5"	From 12" to 24"	20" x 20" Min/ 10° Max
	USMS				From 3'-3 1/2" to 16'-5"	From 12" to 24"	20" x 20" Min/ 10° Max
NFHS		30 Max			From End Wall (0") to 16'-5"	30" Max	20" x 20" Min/ 10° Max

WARNING
 Starting platforms are to be used only by trained competitive swimmers. Only shallow racing dives should be executed. Impact with the pool bottom can cause serious injury. Please refer to applicable codes and regulations for your specific installation.

The data represents the latest knowledge available to us at time of presentation. However, Paragon Aquatics and others involved in gathering and presenting this drawing assume no liability for its use.



PARAGON AQUATICS

Pentair Water
 Commercial Pool & Aquatics

1351 Route 55
 LaGrangeville, New York
 12540
 Phone: 845-463-7200
 Fax: 845-463-7291
 www.paragonaquatics.com

Drawn by: JMM Date: 3/23/10 Approved by: RV Date: 3/23/10

Sheet Title: S.P. Order Information Sheet

Drawing Number: OI-SP10.50 Revision Letter: A Sheet: 1 of 2

Order Information Sheet

Please fill in the information below where applicable. Please provide this sheet to your distributor when placing an order.

End User Information:

Facility: _____
 Address: _____

 Contact: _____
 Phone: _____

Distributor Information:

Company: _____
 Contact: _____
 Phone: _____

Pool Information:

Ruling Body** (check all applicable):

FINA NCAA NFHS USAS USMS

Water Depth**: _____ ft _____ inches

Deck Width (from pool wall):

_____ ft _____ inches

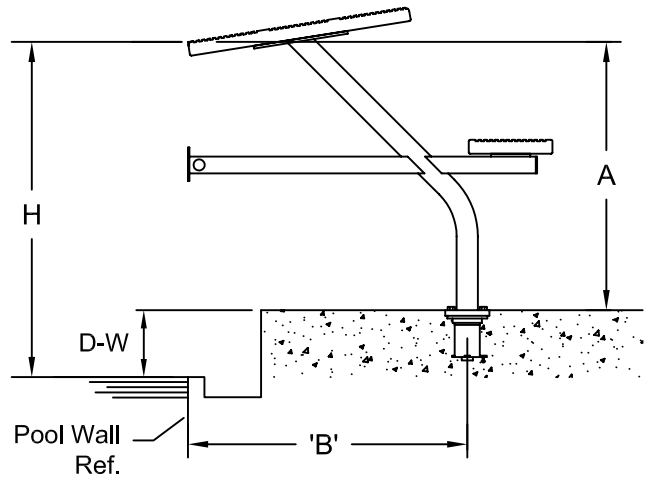
Desired Height Above Water (H) = _____

Deck to Water (DW) = _____

To help determine 'A' and 'B' dimensions complete the gutter profile sheet, pg. 1

A = _____ (A = H - DW - Total Slope)

B = _____ (B = E + F + 5"min.)



* Paraflyte platform shown for reference only.

Platform Information (See applicable specification sheet):

Style: _____ Quantity: _____

Part #: _____

Are Anchors Pre-set: No Yes

Platform Numbering: _____ thru _____

(If not specified, numbers will run from 1 thru quantity ordered)

Platform Options (Upcharge may be applicable):

Protective Safety Cover: Quantity: _____

Color Sand Finish Top: Color PMS #: _____

Custom Top Logo: (Logo to be submitted to manufacturer for approval)

FINA Backstroke Bars:

Colorado Block Upgrade: (Subtract 1/2" from the 'A' dimension if an RJP will be used)

**Refer to chart on page 1

The data represents the latest knowledge available to us at time of presentation. However, Paragon Aquatics and others involved in gathering and presenting this drawing assume no liability for its use.



**PARAGON
AQUATICS**

Pentair Water
Commerical Pool & Aquatics

1351 Route 55
LaGrangeville, New York
12540
Phone: 845-463-7200
Fax: 845-463-7291
www.paragonaquatics.com

Drawn by: JMM Date: 3/23/10 Approved by: RV Date: 3/23/10

Sheet Title: S.P. Order Information Sheet

Drawing Number: OI-SP10.50 Revision Letter: A Sheet: 2 of 2