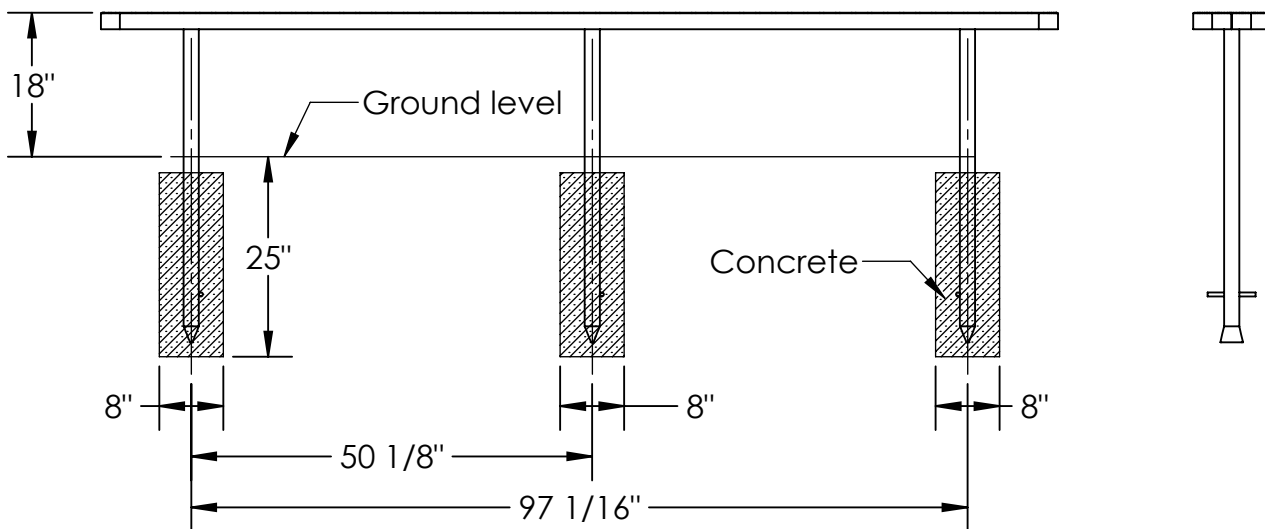
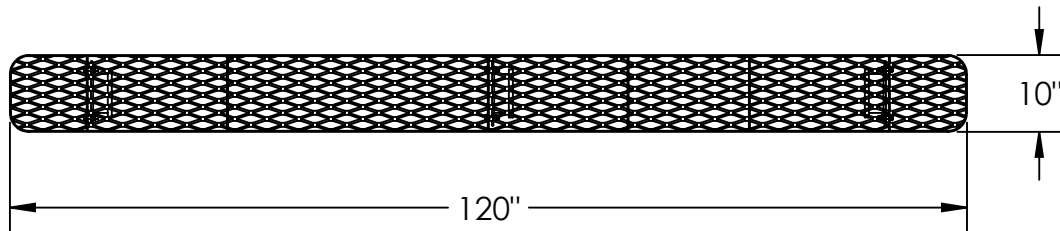


10' Champion Bench without back, Direct Bury

935-602



1. Drill plastic out of the mounting holes on the stands and the seat using a 7/16" dia. drill bit.
2. Attach seat to stands with 3/8" x 1-1/2" SS hex bolts, washers and nuts.
3. Secure in concrete footing as shown.

In Accordance to California law: WARNING This product contains a chemical know to the State of California to cause cancer and birth defects or other reproductive harm.



PREMIER POLYSTEEL

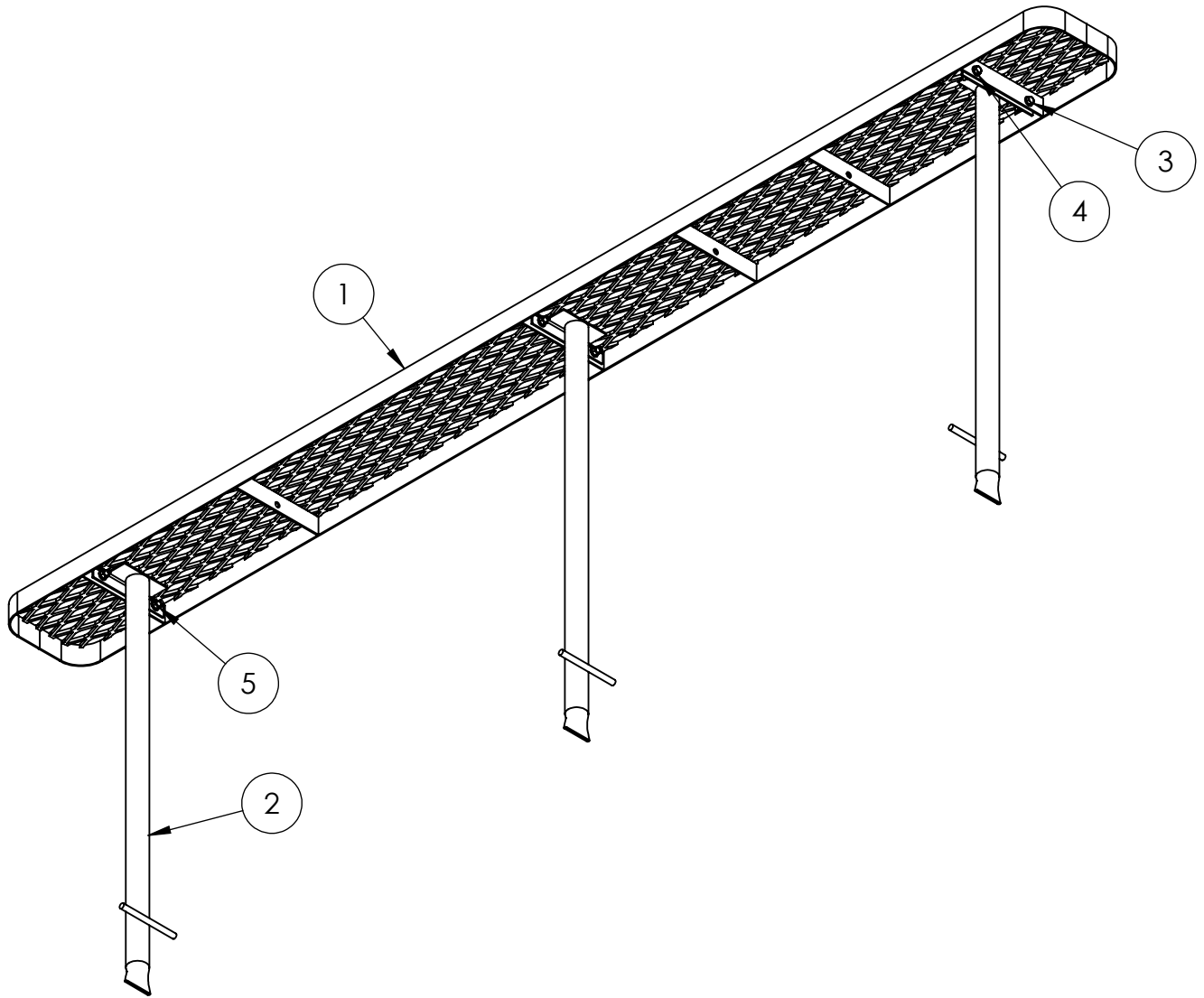
The Best Commercial Outdoor Furniture Available. Period.



SIZE
A

10' Champion Bench without back, Direct Bury

935-602



ITEM NO.	PART NUMBER	DESCRIPTION	QTY.
1	622-016	10' Champion Bench/Back	1
2	631-020	Bench without Back Stand, Direct Bury	3
3	516-058	3/8"x1-1/2" SS Hex Bolt	6
4	516-023	3/8" SS Flat Washer	12
5	516-028	3/8" SS Nylock Nut	6



PREMIER POLYSTEEL

The Best Commercial Outdoor Furniture Available. Period.



SIZE
A