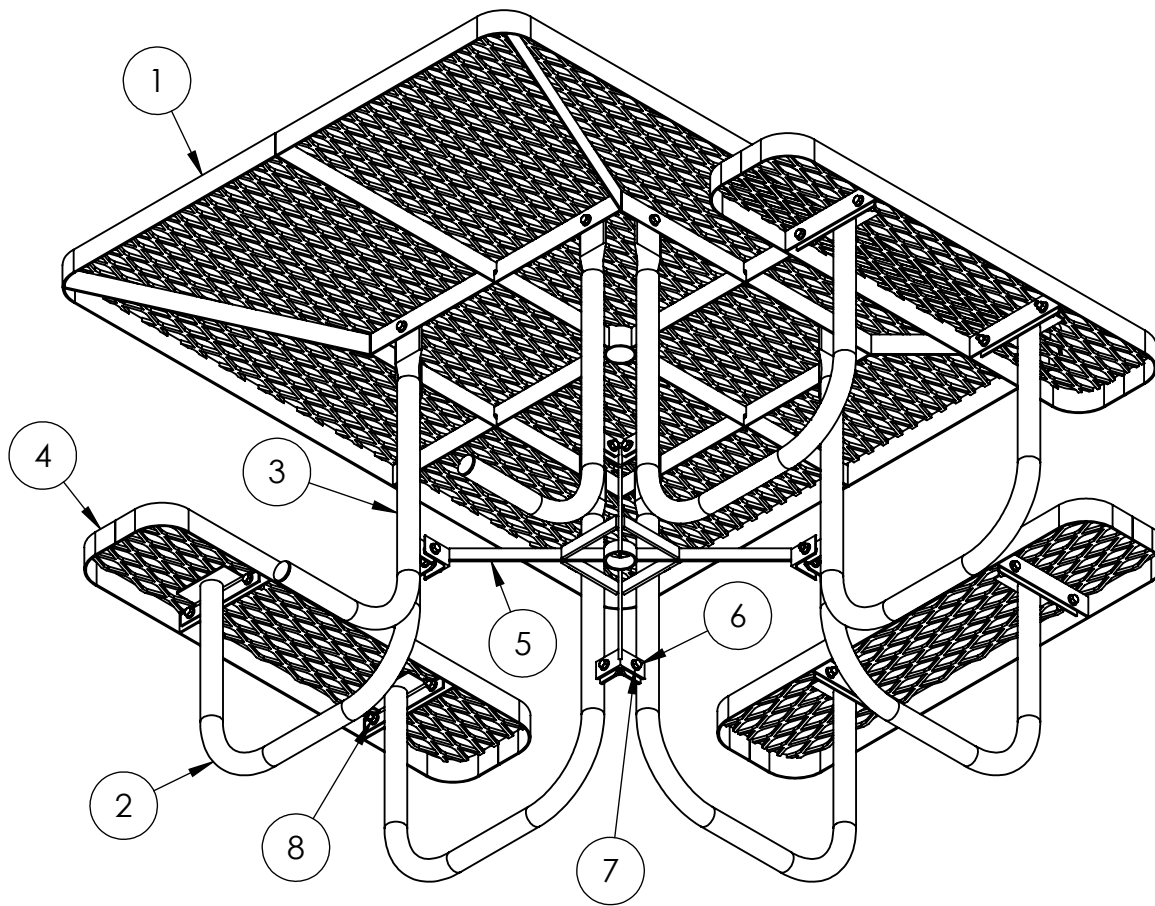


**PREMIER POLYSTEEL**

The Best Commercial Outdoor Furniture Available. Period.





In Accordance to California law: WARNING This product contains a chemical know to the State of California to cause cancer and birth defects or other reproductive harm.

1. With table top upside down bolt 2 opposing legs on to top. Do not tighten the bolts now.
2. Attach "x" shaped leg brace to the 2 legs.
3. Attach the other 6 legs fastening to the "x" shaped leg brace as you go.
4. Attach seats to other end of leg. The vertical portion of the angle iron leg top bolts flush with the seat support bar.
5. Flip the table right side up, level the top and seats, and tighten all of the bolts.

ITEM NO.	PART NUMBER	DESCRIPTION	QTY.
1	642-115	4x5 Accessible table Top	1
2	634-111	Sq./Rnd Table Free Standing Leg	6
3	634-112	3 Seat Leg for Sq/Round Table	2
4	622-019	40" Champion Seat	3
5	634-119	Sq./Rnd Table Leg Support Bracket	1
6	516-058	3/8"x1-1/2" SS Hex Bolt	28
7	516-023	3/8" SS Flat Washer	56
8	516-028	3/8" SS Nylock Nut	28



**PREMIER POLYSTEEL**

The Best Commercial Outdoor Furniture Available. Period.

