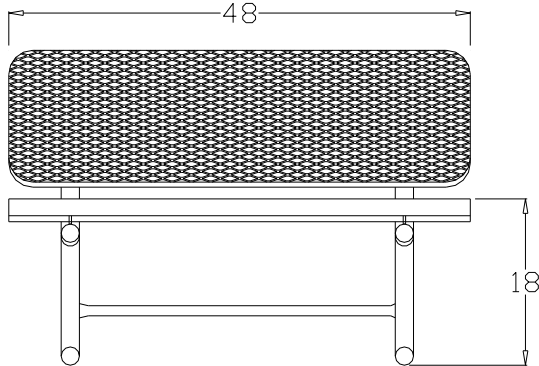
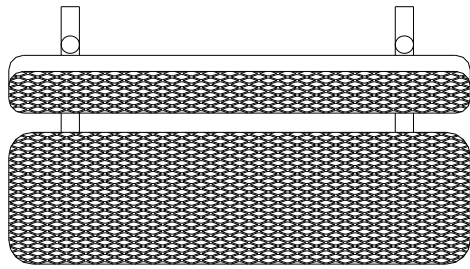
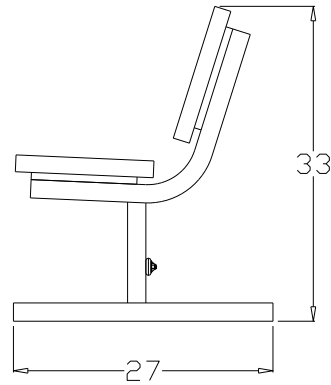




936-101



936-101 4FT CHAMPION SUPREME BENCH FS



Part No.	Description	Qty.
622-111	4' Supreme Champion Seat/ Back	2
630-110	Supreme Bench Stand w/back (Free Standing)	2
630-011	Bench with Back Brace	1
516-058	3/8" x 1-1/2" SS Hex Bolt	8
516-028	3/8" SS Nylock Nut	10
516-023	3/8" SS Washer	18

- 1 Drill plastic out of the mounting holes on the stands, seat/back and brace using a 7/16" dia. drill bit.
- 2 Fasten the seat/back to the stands loosely and then fasten the brace to the stands. The stands mount on the inside of the cross bar of the seat/back.
- 3 Set on a level surface and tighten all of the bolts.

In Accordance to California law: WARNING This product contains a chemical know to the State of California to cause cancer and birth defects or other reproductive harm.

Periodic check of bolt tightness recommended.



PREMIER POLYSTEEL

The Best Commercial Outdoor Furniture Available. Period.

