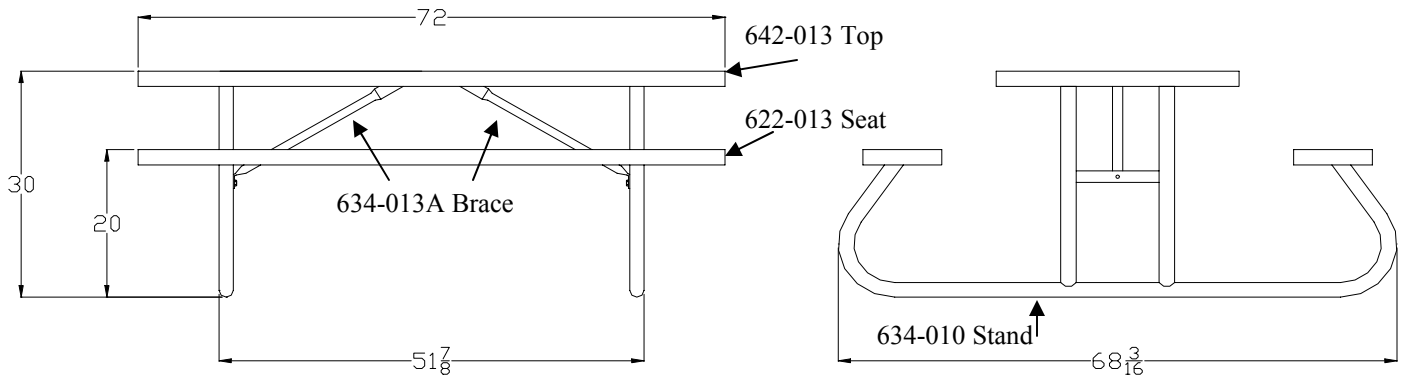




# 924-301

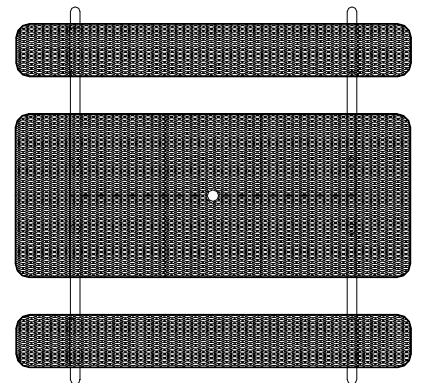


Part No.	Description	Qty.
642-013	Champion Table Top 6'	1
622-013	Champion Seat/Back 6'	2
634-010	Stands (free standing)	2
634-013A	Brace (6' free standing w/umbrella)	2
516-058	3/8" x 1-1/2" SS Hex Bolt	16
516-028	3/8" SS Nylock Nut	16
516-023	3/8" SS Washer	32



- Attach both stands to the inside of table support bar
- Attach the straight end of each brace to the table.
- Attach bent end of both braces to the cross bar of each stand.

In Accordance to California law:  
 WARNING This product contains a chemical know to the State of California to cause cancer and birth defects or other reproductive harm.



## Assembly Instructions

1. Drill out holes.
2. Attach both stands to the inside of table support bar. (See photo above)
3. Attach the seats to the stands.
4. Attach the straight end of each brace to the table. (See photo above)
5. Attach bent end of both braces to the cross bar of each stand. (See photo above)

*Periodic check of bolt tightness recommended.*



**PREMIER POLYSTEEL**

The Best Commercial Outdoor Furniture Available. Period.

