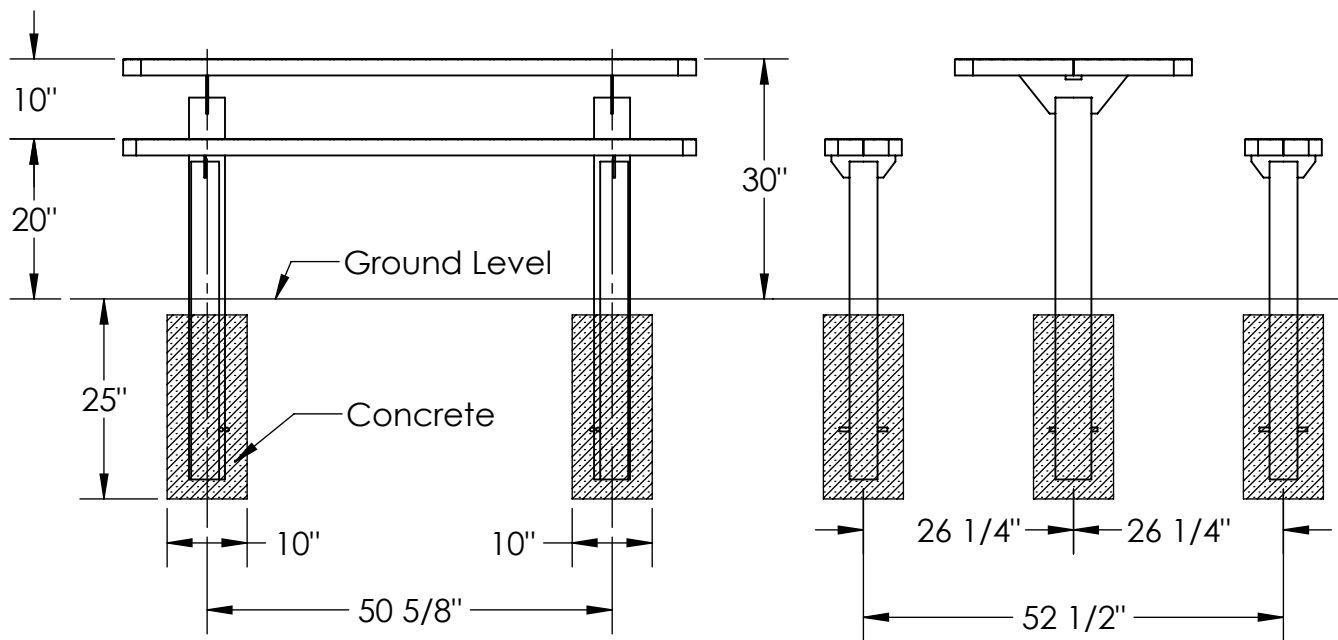
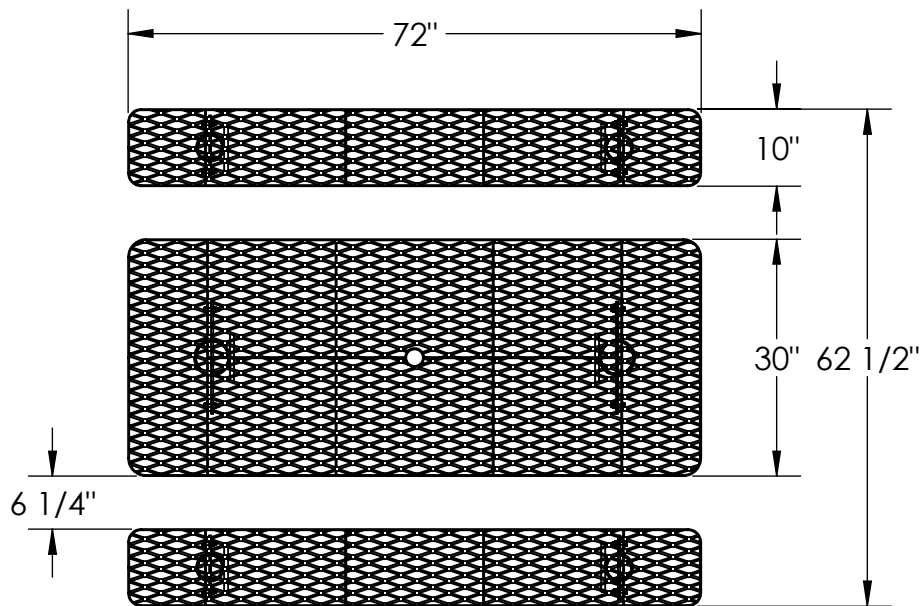




# 6' Champion Multi-Pedestal Direct Bury

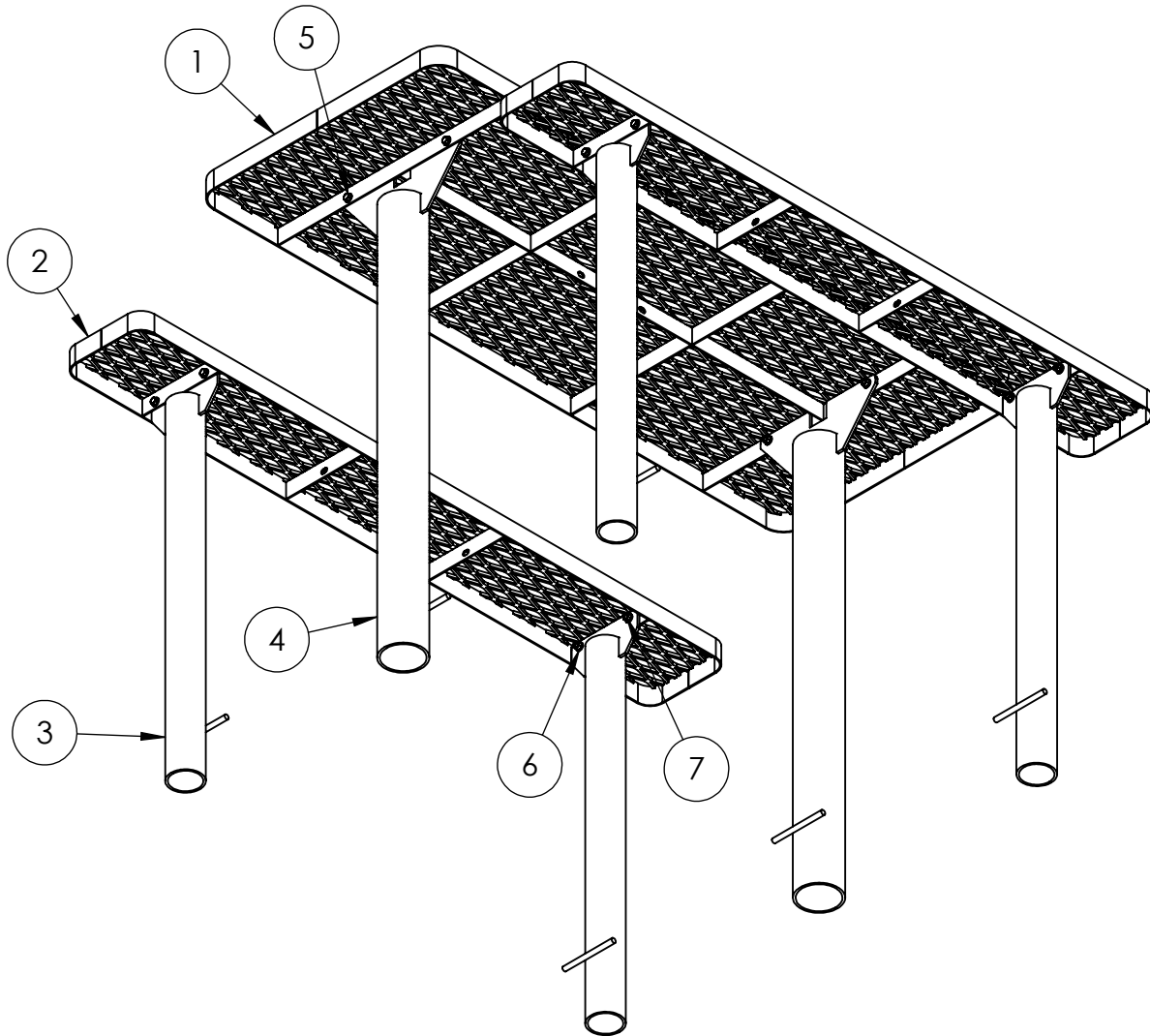
924-306





# 6' Champion Multi-Pedestal Direct Bury

924-306



1. Drill 6 holes in the ground per the drawing on page 1.
2. Place the pedestals in the holes.
3. Drill plastic out of the mounting holes on the pedestals, top and seats using a 7/16" dia. drill bit.
4. Fasten the table top to the pedestals, support and level table top. Check height.
5. Fasten the seats to the pedestals, support and level seats. Check height.
6. When the seats and top are level and secured fill the holes with concrete to about 2" below ground level.

ITEM NO.	PART NUMBER	DESCRIPTION	QTY.
1	642-013	Champion Table Top 6'	1
2	622-013	Champion Seat/Back 6'	2
3	630-081	Seat Pedestal	4
4	630-080	Table Pedestal	2
5	516-058	3/8"x1-1/2" SS Hex Bolt	12
6	516-023	3/8" SS Flat Washer	24
7	516-028	3/8" SS Nylock Nut	12

In Accordance to California law: WARNING This product contains a chemical known to the State of California to cause cancer and birth defects or other reproductive harm.