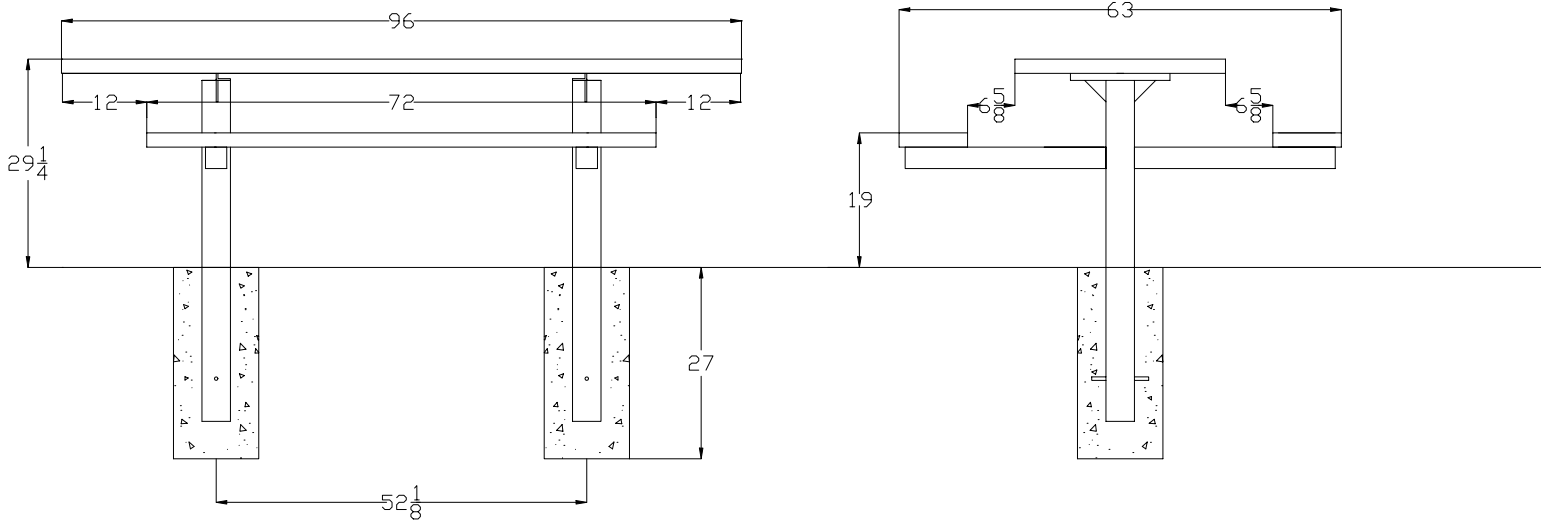




950-502



Part No.	Description	Qty.
642-A15	Champion Accessible Table Top 8'	1
622-013	Champion Seat/Back 6'	2
632-200	Table Pedestal Direct Bury	2
516-058	3/8" X 1-1/2" SS Hex Bolt	12
516-028	3/8" SS Nylock Nut	12
516-023	3/8" SS Flat Washer	24

- 1 Drill 2 holes in ground per the above drawing.
- 2 Place the pedestals in the holes.
- 3 Drill plastic out of the mounting holes on the pedestals, top and seats using a 7/16" dia. drill bit.
- 4 Fasten the table top to the pedestals, support and level table top. Check height.
- 5 Fasten the seats to the pedestals, support and level seats. Check height.
- 6 When the seats and top are level and secured fill the holes with concrete to about 2" below ground level.

In Accordance to California law: WARNING This product contains a chemical know to the State of California to cause cancer and birth defects or other reproductive harm.

Periodic check of bolt tightness recommended.



PREMIER POLYSTEEL

The Best Commercial Outdoor Furniture Available. Period.

