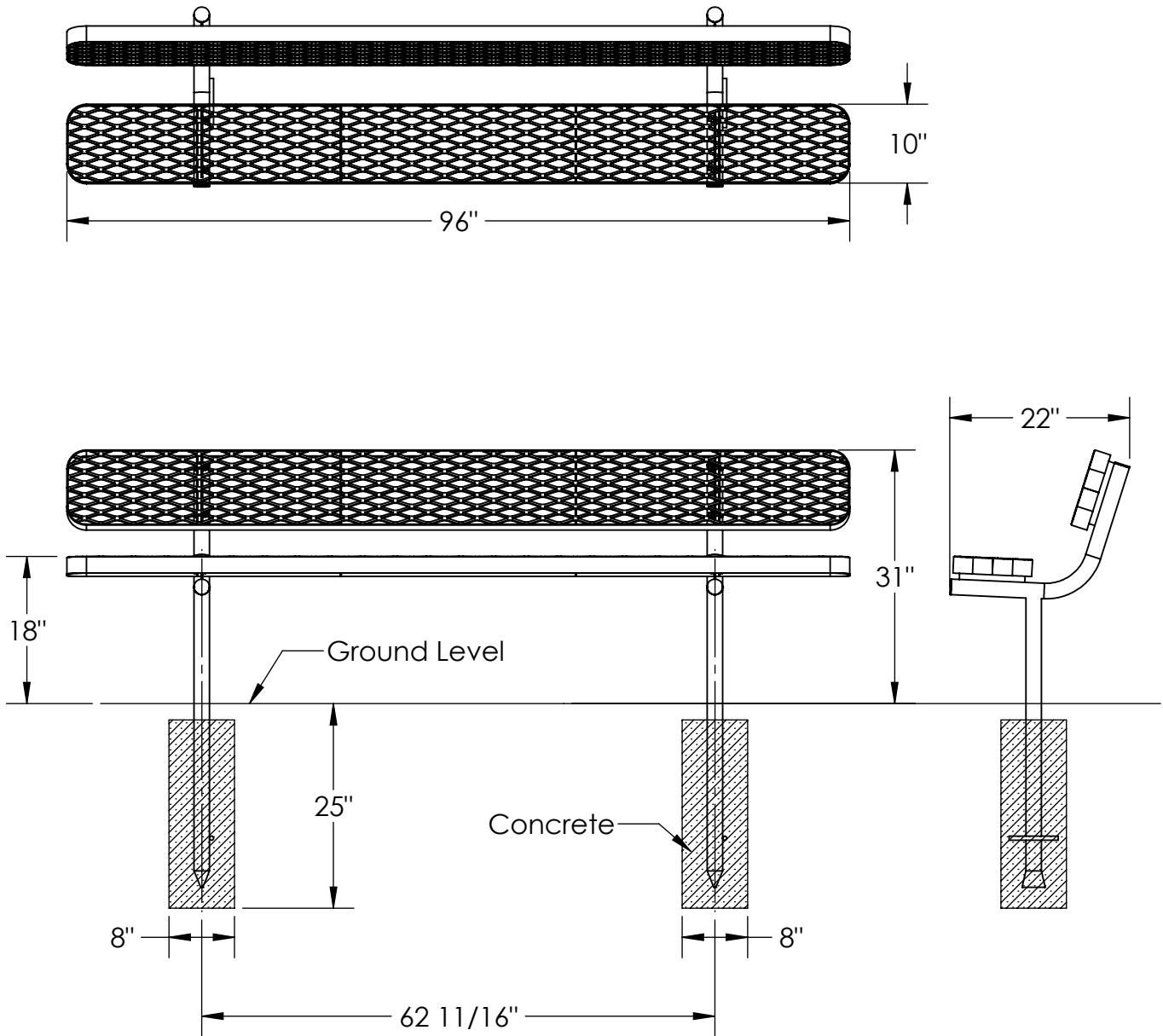


# 8' Champion bench with back, Direct Bury

934-502



1. Drill plastic out of the mounting holes on the stands and the seat using a 7/16" dia. drill bit.
2. Attach seat and back to stands with 3/8" x 1-1/2" SS hex bolts, washers and nuts.
3. Secure in concrete footing as shown.

In Accordance to California law: WARNING This product contains a chemical know to the State of California to cause cancer and birth defects or other reproductive harm.



## PREMIER POLYSTEEL

The Best Commercial Outdoor Furniture Available. Period.

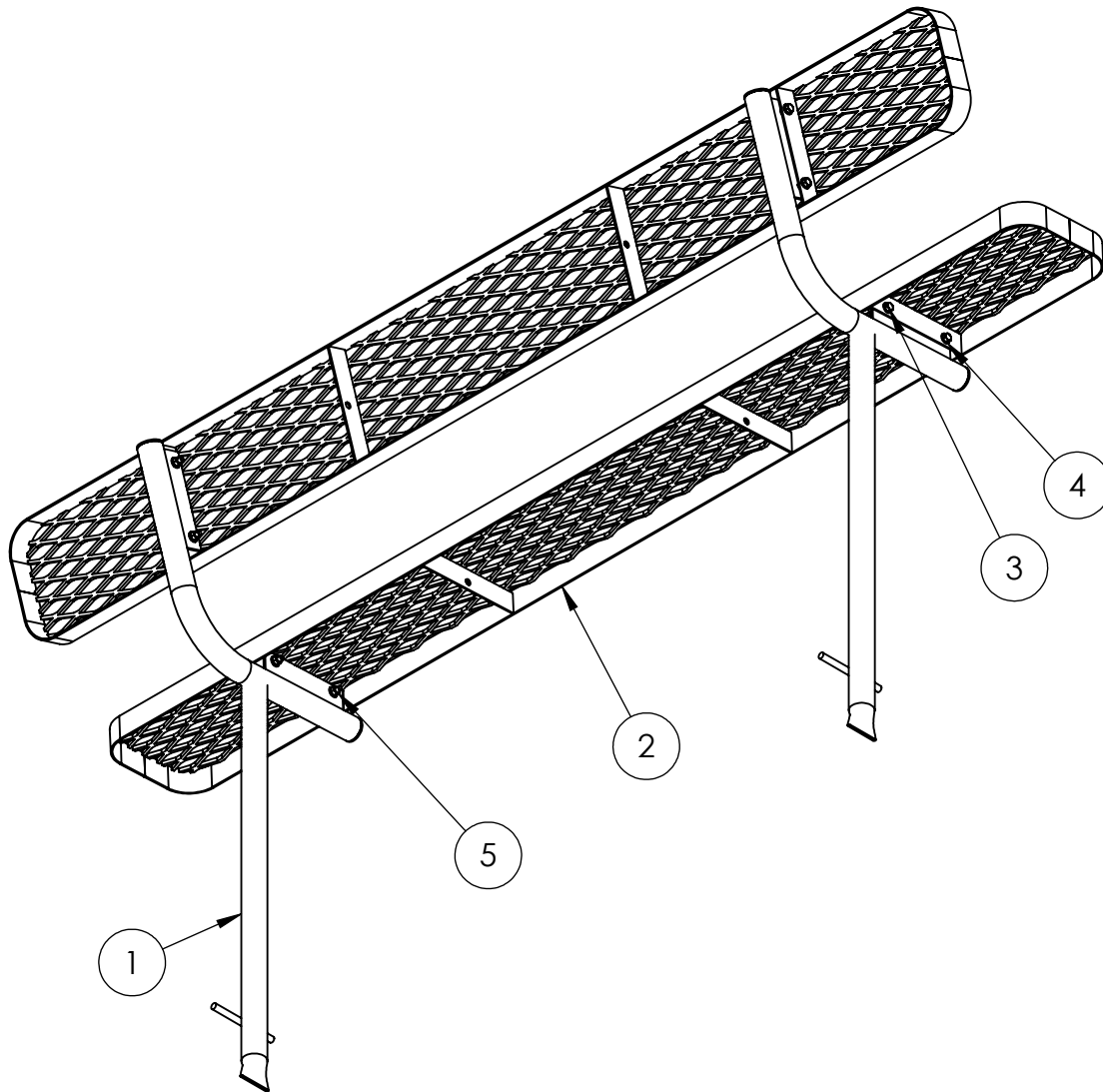


SIZE  
A

REV. X.01 SHEET 1 OF 2

8' Champion bench with back, Direct Bury

934-502



ITEM NO.	PART NUMBER	DESCRIPTION	QTY.
1	630-020	Stand for Bench w/Back Direct Bury	2
2	622-015	8' Champion Seat/Back	2
3	516-058	3/8"x1-1/2" SS Hex Bolt	8
4	516-023	3/8" SS Flat Washer	16
5	516-028	3/8" SS Nylock Nut	8



**PREMIER POLYSTEEL**

The Best Commercial Outdoor Furniture Available. Period.



SIZE  
**A**