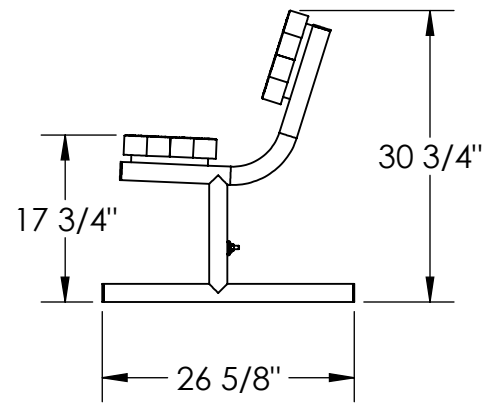
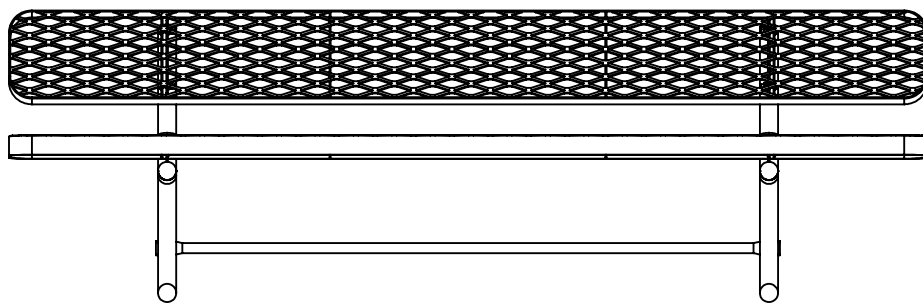
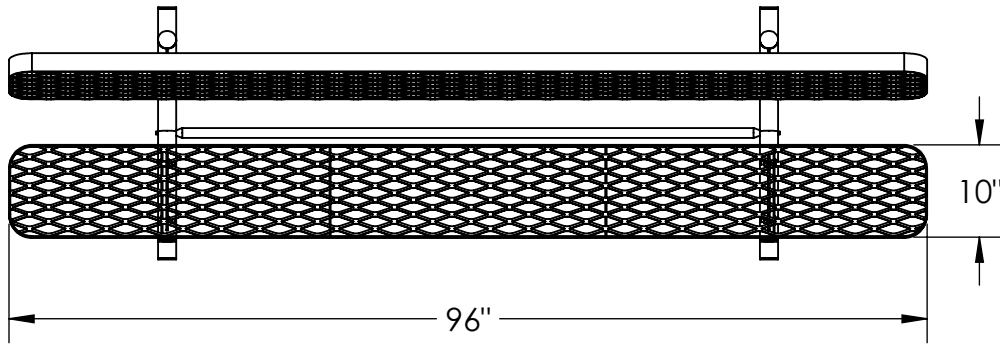


8' Champion Bench with Back, Free Standing

934-501



PREMIER POLYSTEEL

The Best Commercial Outdoor Furniture Available. Period.

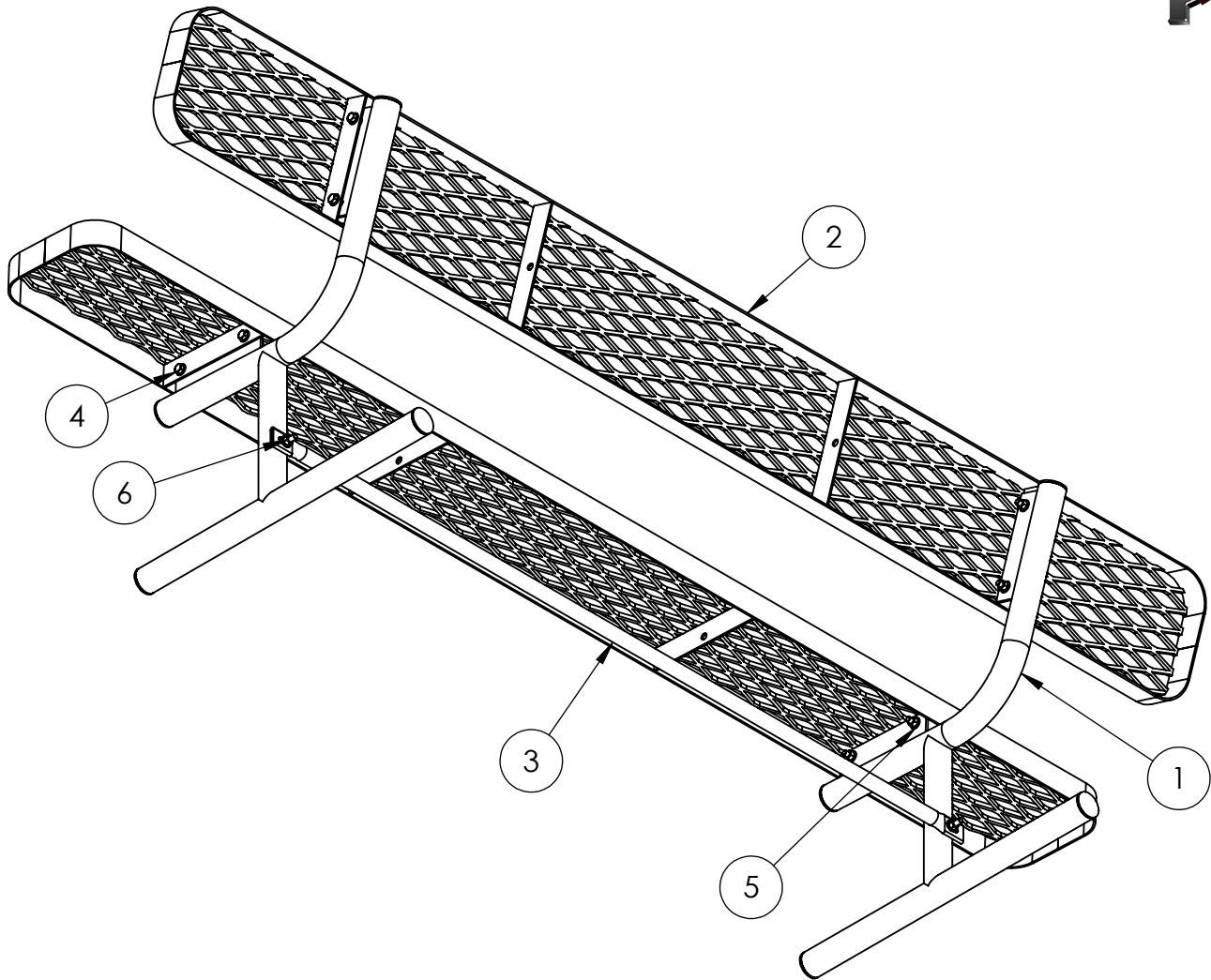


SIZE
A

REV. X.01 | SHEET 1 OF 2

8' Champion Bench with Back, Free Standing

934-501



In Accordance to California law: WARNING This product contains a chemical know to the State of California to cause cancer and birth defects or other reproductive harm.

1. Drill plastic out of the mounting holes on the stands and the seat using a 7/16" diameter drill bit.
2. Attach seat and back loosely to stands with 3/8" x 1-1/2" SS hex bolts, washers and nuts.
3. Attach brace loosely to stands with 3/8" Nylock nut and washer.
4. Set on level surface and tighten all fasteners. Tighten the brace nuts last.

ITEM NO.	PART NUMBER	DESCRIPTION	QTY.
1	630-010	Bench with back stand FS	2
2	622-015	8' Champion Seat/Back	2
3	630-017	8' Bench with Back Brace	1
4	516-058	3/8"x1-1/2" SS Hex Bolt	8
5	516-023	3/8" SS Flat Washer	18
6	516-028	3/8" SS Nylock Nut	10



PREMIER POLYSTEEL

The Best Commercial Outdoor Furniture Available. Period.



SIZE
A

REV. X.01 | SHEET 2 OF 2