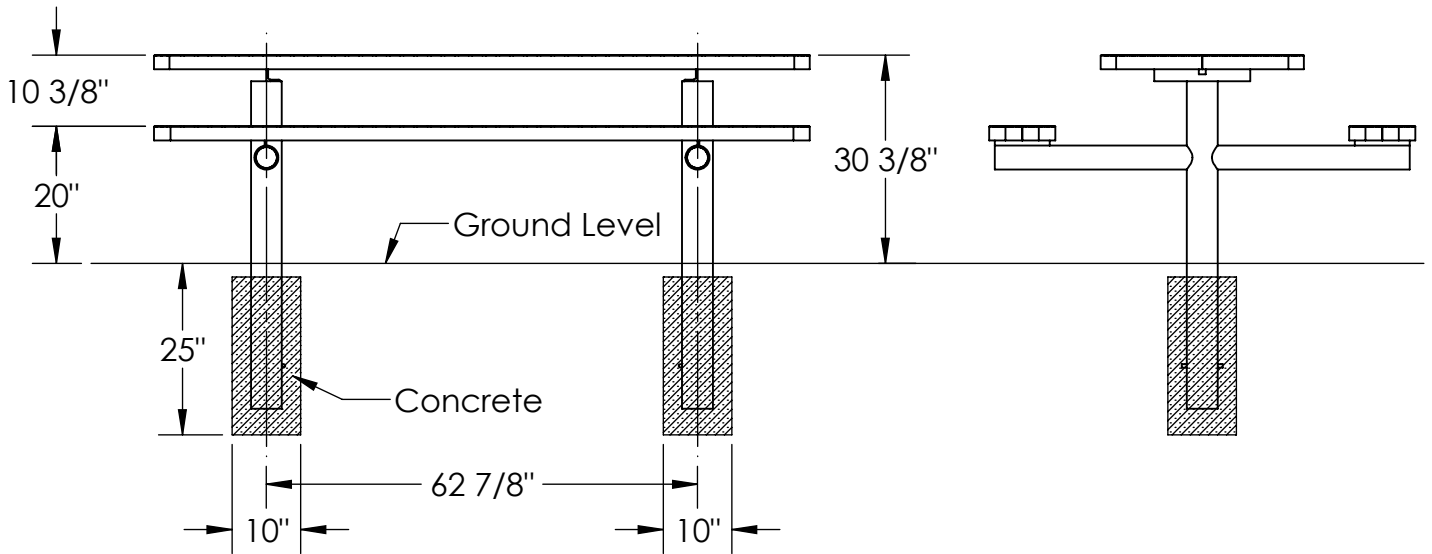
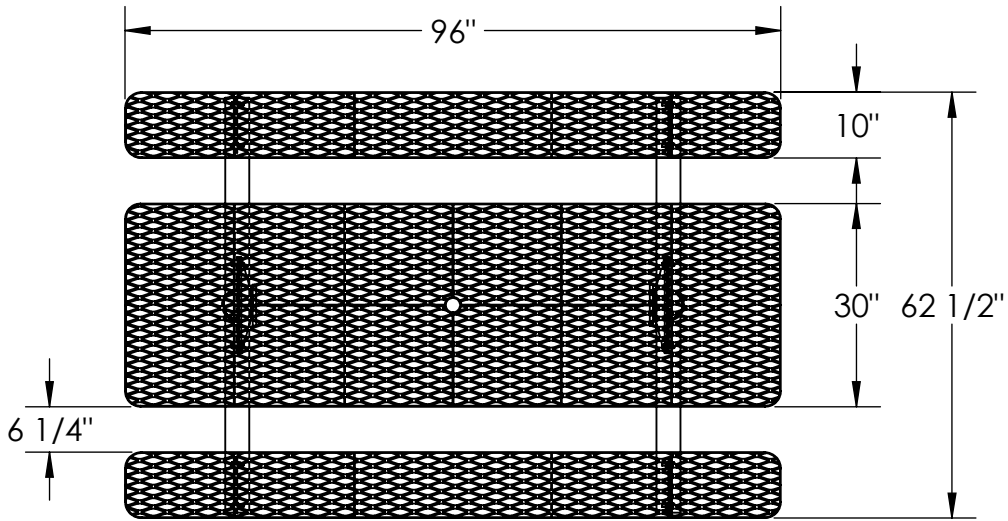


# 8' Champion Double Pedestal Direct Bury Table

924-502



## PREMIER POLYSTEEL

The Best Commercial Outdoor Furniture Available. Period.

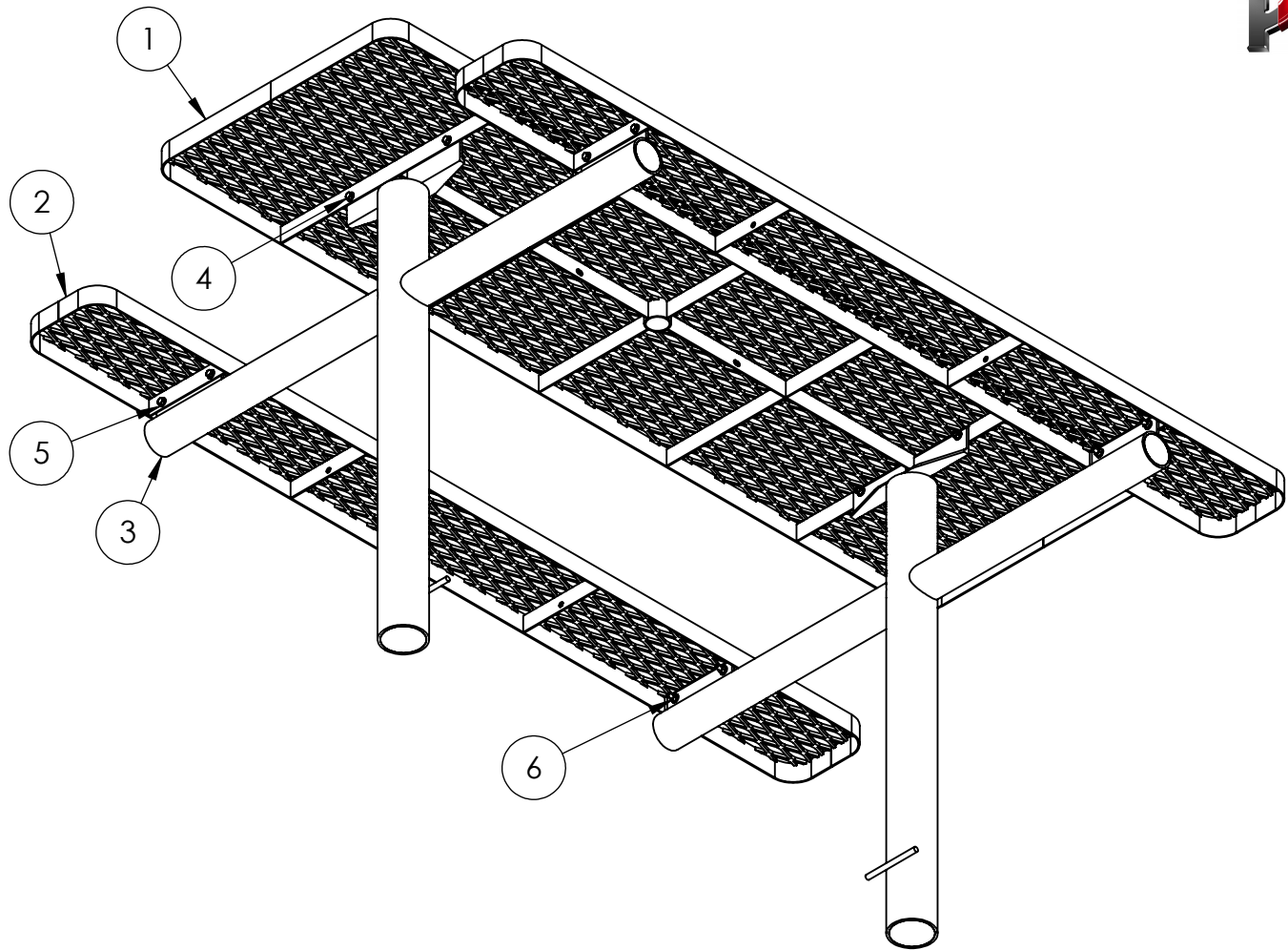


SIZE  
**A**

REV. X.01 | SHEET 1 OF 2

# 8' Champion Double Pedestal Direct Bury Table

924-502



In Accordance to California law: WARNING This product contains a chemical know to the State of California to cause cancer and birth defects or other reproductive harm.

1. Drill 2 holes in the ground per the drawing on sheet 1.
2. Place the pedestals in the holes.
3. Drill plastic out of the mounting holes on the pedestals, top and seats using a 7/16" dia. drill bit.
4. Fasten the table top and seats to the pedestals, support and level table. Check height.
5. When the table is level and secured, fill the holes with concrete to about 2" below ground level.

ITEM NO.	PART NUMBER	DESCRIPTION	QTY.
1	642-015	8' Champion Table Top	1
2	622-015	8' Champion Seat/Back	2
3	632-200	2 Pedestal Direct Bury Stand	2
4	516-058	3/8"x1-1/2" SS Hex Bolt	12
5	516-023	3/8" SS Flat Washer	24
6	516-028	3/8" SS Nylock Nut	12



## PREMIER POLYSTEEL

The Best Commercial Outdoor Furniture Available. Period.



SIZE  
A

REV. X.01 SHEET 2 OF 2