



DESIGNER INSPIRED

# designer inspired LADDERS & RAILS



# designer inspired



## DESIGNER INSPIRED

With sleek lines and practical brilliance, S.R.Smith's patented Artisan and Meridian Designer Inspired Rails bring an updated look to any pool. These stylish rails and ladders are designed to fit standard deck configurations for new construction and existing pools. Custom sizes can also be made to order to add functional elegance to special projects.

## PRODUCT SPECIFICATIONS

- 1.90" OD tubing
- .065" wall thickness
- 304 or 316L stainless steel
- Ladders feature stainless steel treads

## POWDER COATING

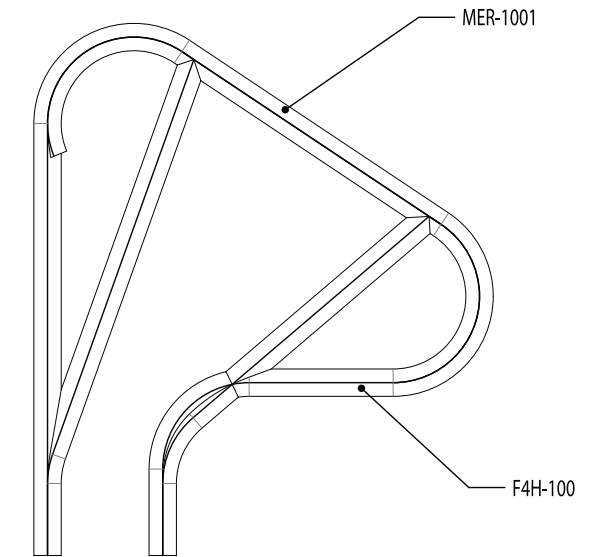
Powder coating is a durable finish that is easy to maintain, corrosion and scratch resistant, and is available in a wide variety of colors.

## TRADE OUT ORDINARY FOR ELEGANCE

These rails are the ideal choice for pool renovation projects and new construction.

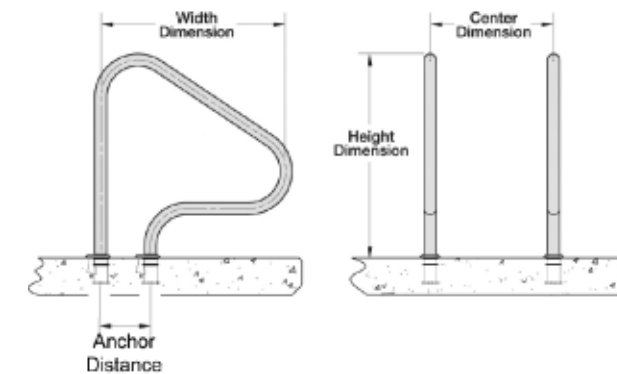
DESIGNER RAIL MODEL	EASILY REPLACES
Hand Rail	Figure 4
Ladder	24" 3-Step Ladder
Stair Rail	5' 2-Bend or 5' 3-Bend Stair Rails
Deck-Mounted Stair Rail	DMS-100, 101, 102 & 103
Deck-Mounted Hand Rail*	Deck-Mounted Rail 50-902

\*Only available in Artisan



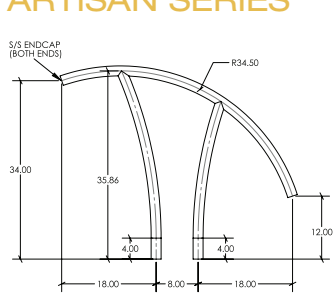
Overlay of MER-1001S and Figure 4 Hand Rail

When measuring your current rail for a replacement, take the following measurements.

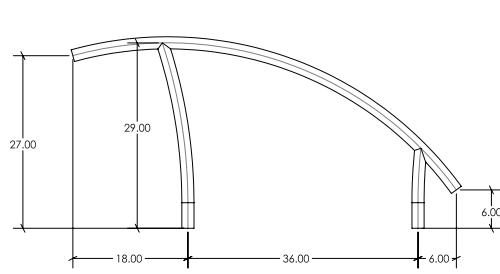


Download our rail identification guide at [srsmith.com/railid](http://srsmith.com/railid)

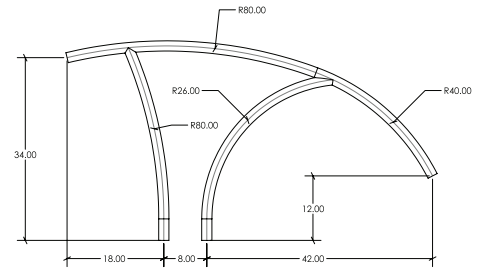
## ARTISAN SERIES



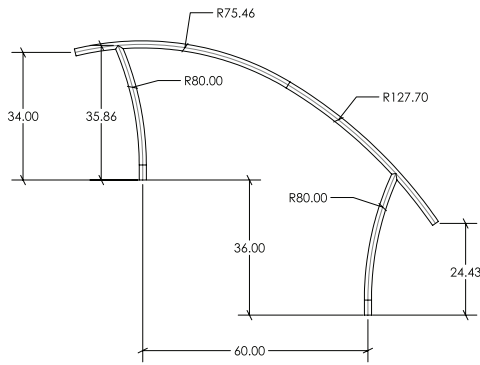
Hand Rail



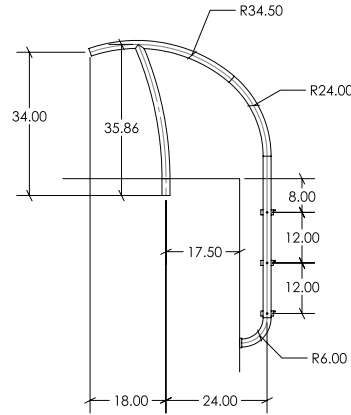
Deck-Mounted Stair Rail



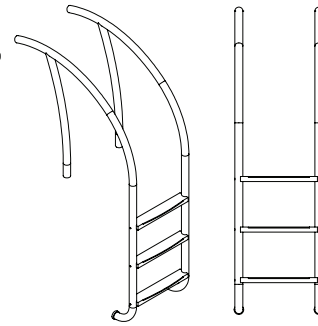
Deck-Mounted Hand Rail



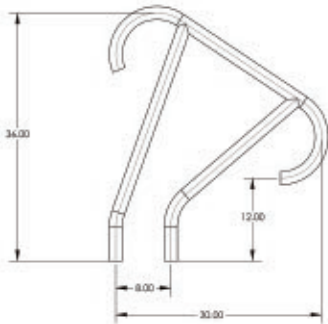
Stair Rail



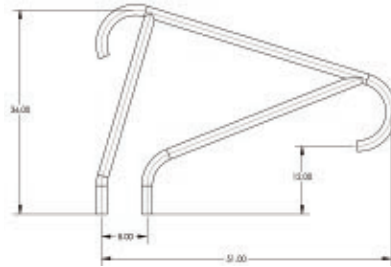
Ladder



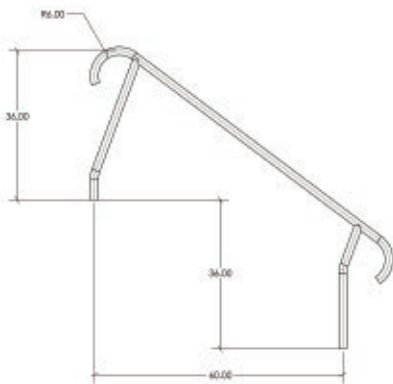
## MERIDIAN SERIES



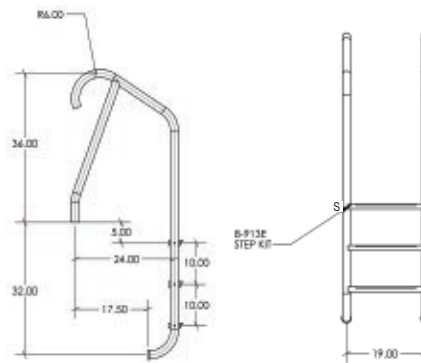
Hand Rail



Deck-Mounted Stair Rail



Stair Rail



Ladder

To ensure you have the most current version of this publication, please visit our website.

designer  
inspired



S.R. Smith, LLC  
P.O. Box 400, 1017 SW Berg Parkway  
Canby, Oregon 97013

P 503.266.2231 TF 800.824.4387 F 503.266.4334  
srsmith.com

Copyright © 2015 S.R. Smith. All rights reserved. M-E-BRO-51 20M 0415