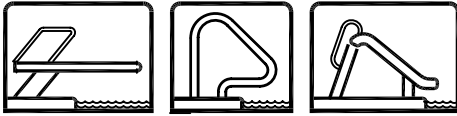
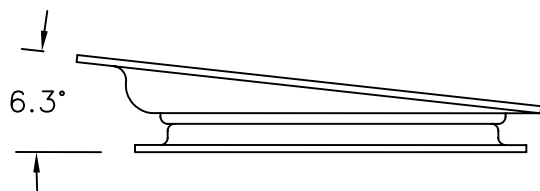
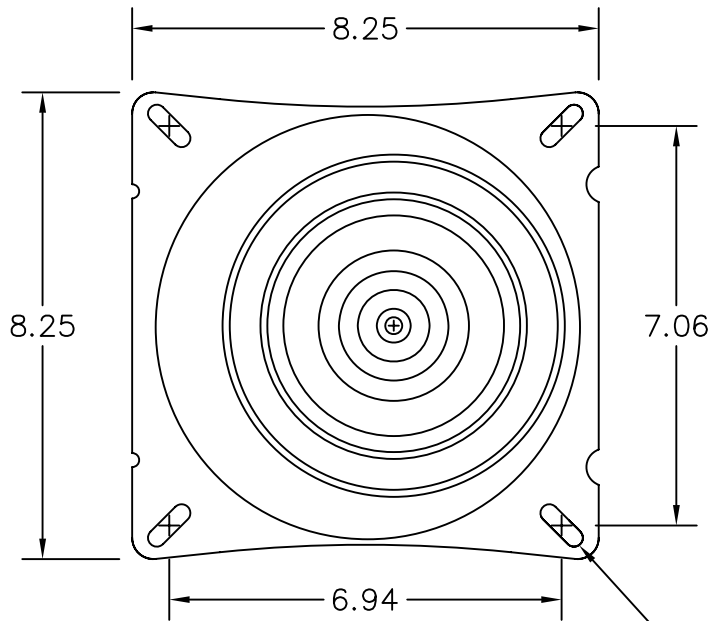


# S.R. Smith Inc.™



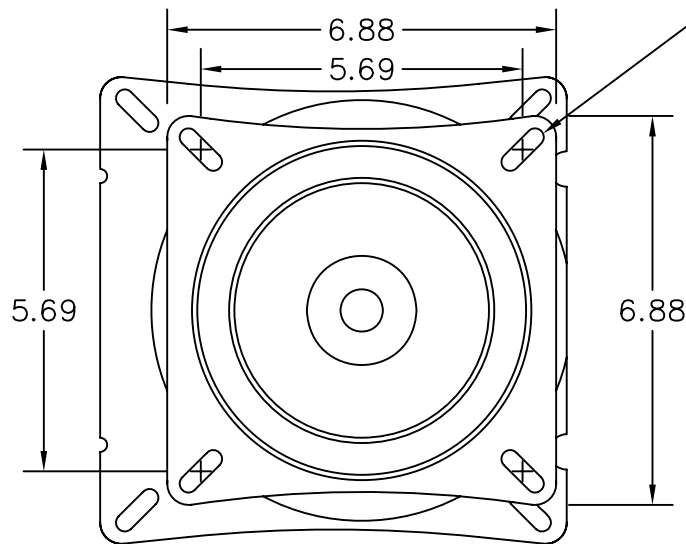
P.O. BOX 400 1017 S.W. BERG PARKWAY  
CANBY, OREGON 97013  
PHONE: (503) 266-2231

APPROVALS		DATE	UNLESS OTHERWISE SPECIFIED DIMENSIONS ARE IN INCHES, TOLERANCES ARE: DECIMALS:      FRACTIONS: .X ±.1            ±1/16 .XX ±.06        ANGLES: .XXX ±.031      ±1/2
PURCHASING:	Mark Kroeplin		
ENGINEERING:	Kevin Ball	8FEB99	
PRODUCTION:	Don Jeskey		
SALES	Chuck Walker		
PROPRIETARY NOTE: Designs and/or information shown on this drawing are proprietary. The recipient agrees not to reproduce or copy in whole or part nor to make any use of it that is or may be injurious to S. R. Smith Inc.			SCALE: 1.00" = 1.00"
REV. DATE:			DO NOT SCALE DRAWING
			BREAK & DEBURR ALL SHARP EDGES
			BORDER MAGNIFICATION X 3.5



SLOT .375 X 1  
(4 PLCS)

SLOT .375 X .75  
(4 PLCS)



DESCRIPTION:  SWIVEL FOR LIFEGUARD CHAIR	DRAWING NUMBER			DWG. #PBR UPDATED 25MAR98
	SPIN	FILE NO.	REV.	SHEET
	A40703-0	1137	A	1 OF 1