

Meridian Series

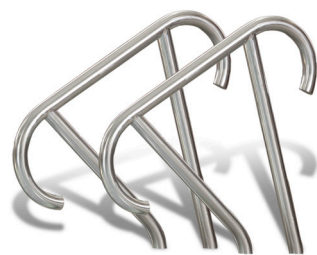
Designer Inspired Rails



The Meridian Series is a patent pending designer inspired rail line that provides an elegant custom look for any pool environment. They are the ideal choice for pools with limited deck space.

- Tubing: 1.90" OD
- Wall Thickness: .065"
- Stainless Steel: 304 or 316L Marine Grade* (add -MG to part number)
- Treads (Ladder Only): LTDF-103 Stainless Steel
- Options: Powder-coating available
- Recommended anchors: AS-100P or AS-100B (order separately)
- Recommended escutcheon: EP-100F (order separately)

* Minimum requirement for salt pools is 316L Marine Grade.



MER-1001

Model No.	Description	Shipping			
		Weight	Length	Width	Height
MER-1001S	Hand Rail (single)	18 lbs 8kg	38" 96cm	32" 81cm	4" 10cm
MER-1001	Hand Rail (pair)	32 lbs 14kg	38" 96cm	32" 81cm	4" 10cm
MER-1002	Stair Rail (single)	21 lbs 10kg	72" 183cm	40" 10.1cm	3" 8cm
MER-1003	Ladder	42 lbs 19kg	77" 196cm	41" 104cm	4" 10cm
MER-1004	Deck-Mounted Stair Rail (single)	20 lbs 9kg	60" 152cm	38" 97cm	2" 5cm

Elegant Retrofit for Standard Rail Models

Model No.	Meridian Model	Easily Replaces
MER-1001	Hand Rail	Figure 4
MER-1002	Stair Rail	5' 2-bend or 5' 3-bend Stair Rail
MER-1003	Ladder	24" 3-step Ladder
MER-1004	Deck-mounted Stair Rail	DMS-100, 101, 102 & 103



MER-1001S



MER-1002

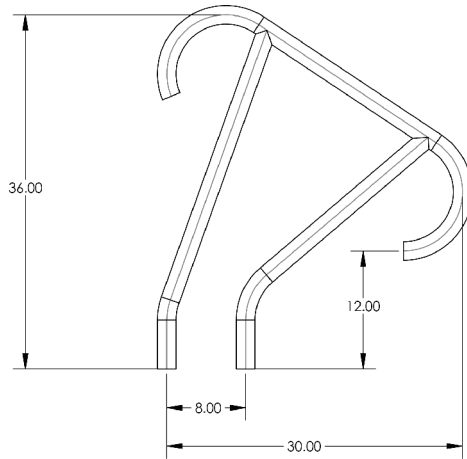


MER-1003

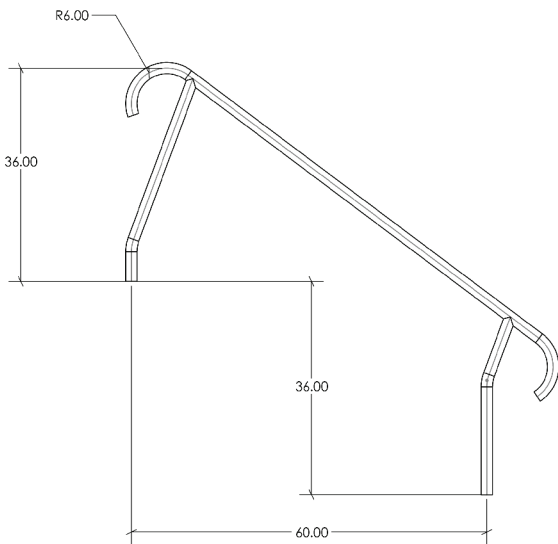


MER-1004

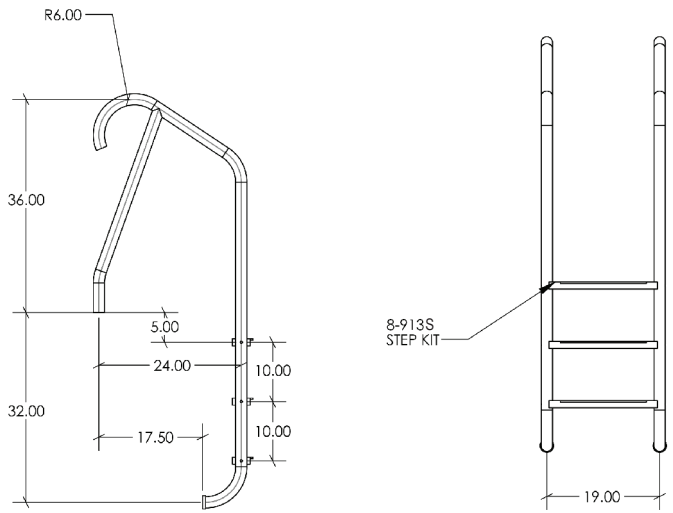
Hand Rail (MER-1001S)



Stair Rail (MER-1002)



Ladder (MER-1003)



Deck Mounted Stair Rail (MER-1004)

