

Read and Follow all User Instructions listed in the Owner’s Manual before use
Read and Follow all Caution, Warning labels located on the lift before use

Warnings and Safety Summary



DANGER – FAILURE TO FOLLOW THESE WARNINGS, INSTRUCTIONS AND THE OWNER’S MANUAL MAY RESULT IN SERIOUS INJURY OR DEATH

WARNING

- **ADULT USE ONLY** – Use by children with adult supervision only. Only persons healthy enough for water activities should use the multiLift. Users should consult with their physician to determine if water activities are appropriate for the User.
- Seat belt is to be used at all times during user transfer.
- **NO JUMPING/DIVING/CLIMBING** – Do not jump/dive from or climb on lift.
- Limit for use is ONE PERSON weighing less than the maximum weight limit of – 350lbs (159kg) for the multiLift. Use only for transfer of user not as a hoist or crane.
- **PINCH/CRUSH HAZARD** – Always keep hands and fingers clear of lift arms during use.
- The battery must be completely removed from lift and located away from pool deck for charging.

CAUTION

- **BATTERY CHARGE LEVEL** – Check Battery Level before each use. Battery must show GREEN >50% charge level before use. When YELLOW <50% charge level is shown the battery must be fully charged before use. When RED <25% charge level is shown the lift must not be used and the battery must be fully charged before use.
- **DAMAGE MAY RESULT** - Do not allow excessive moisture to collect in the battery case, it can affect battery and lift performance and could lead to battery failure and/or the lift failing to operate.



S.R. Smith, LLC
PO Box 400
1017 SW Berg Parkway
Canby, Oregon 97013 USA
Phone: 503-266-2231
Fax: 503-266-4334
www.srsmith.com
Made in USA

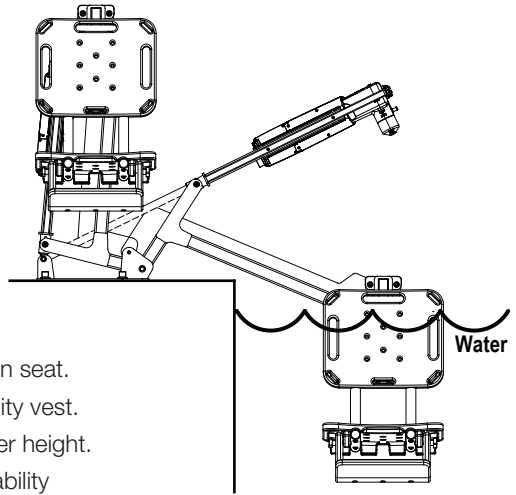


QNET B.V.
Hommerterweg 286
6436 AM Amsternrade
The Netherlands
qnet@ce-mark.com
qnet@ce-authorizedrepresentative.eu



TRANSFERRING

- Do transfer onto seat, ensuring user's weight is centered on seat.
- Do fasten seat belt or optional stability vest.
- Do lower seat into pool.
- Do unfasten seat belt or optional stability vest – transfer into water.
- Do when finished, return to seat, ensuring user's weight is centered on seat.
- Do fasten seat belt or optional stability vest.
- Do raise/lower seat to proper transfer height.
- Do unfasten seat belt or optional stability vest – transfer off seat.



MAINTENANCE and CLEANSING

- Do keep all electronic components clean and dry.
- Do not allow disinfection solution to have direct contact with the skin and eyes.
- Do refer to Owner's manual for weekly / monthly lift maintenance and cleansing.

Perform the following schedule to ensure proper operation before each use:

Maintenance Performed Before Each Use	Daily	Weekly	Monthly
Check battery level before each use / Charge battery daily	✓		
Wipe Control Box and battery connection with a clean dry rag	✓		
Examine lift for any damage, loose or missing hardware	✓		
Test all control buttons (hand and control box) for normal operation	✓		
Spray gear assembly with a heavy-duty rust inhibitor/lubricant such as LPS 3 - Heavy-Duty Inhibitor		✓	
Make sure all cable connections are properly secured			✓
Inspect lift frame, mast, support arm and seat assembly for rust			✓
Cleansing Performed After Each Use			
Rinse seat and seatbelt/stability vest with fresh water between each use - Cleanse seat and seatbelt/stability vest with a disinfectant solution of 1:100 dilution of household bleach to fresh water and then rinse with fresh water and dry entire lift daily. In the event of a contamination incident such patient/user excreta - cleanse seat and seatbelt/stability vest immediately with the disinfectant solution*	✓		
Cleanse all battery connections with a nylon scouring pad			✓
Cleanse all metallic surfaces with a cleaner wax to maintain the finish of the lift			✓

* When using the disinfection solution, avoid direct contact with the skin and eyes. In the event of a contamination incident, immerse the seat belt or stability vest in the disinfection solution for 10 min. and then rinse thoroughly with fresh water.