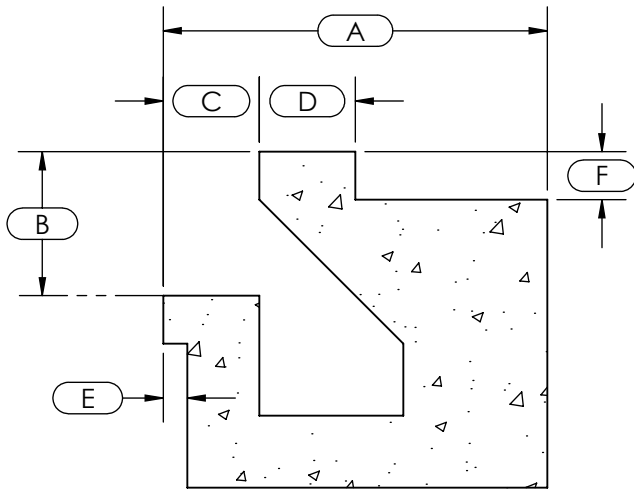
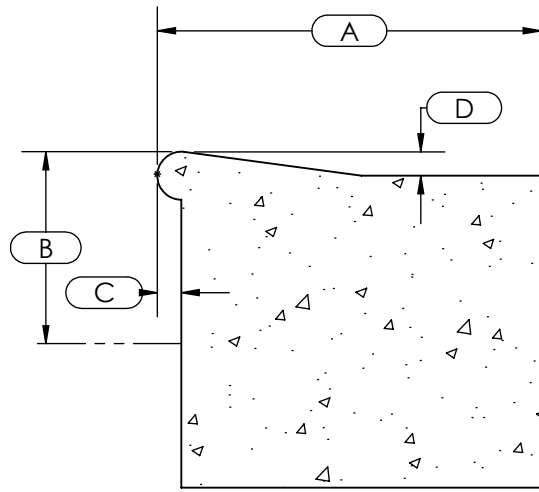


MEASURE GUIDE GUTTER

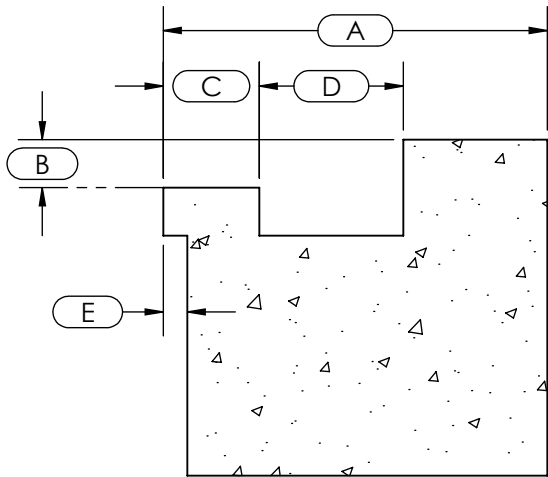
FORM MG-PGD



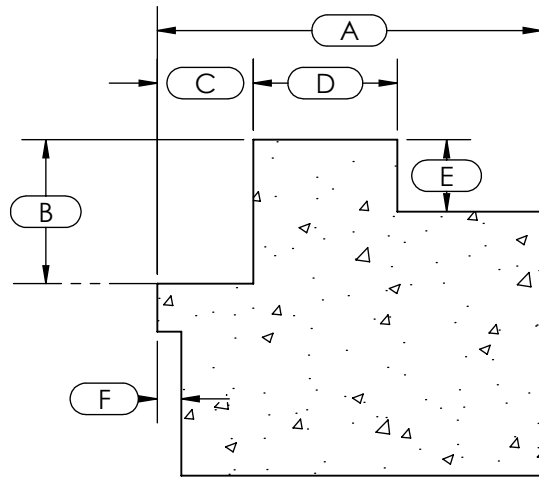
RECESSED GUTTER



BULL NOSE COPING



TROUGH GUTTER



HAUNCH GUTTER

SLOPE @ 24"

Carpenters level req'd

NOTE:

Field measurements are required for the product you wish to order. Please provide product accurate measurements to eliminate delays or errors in the design and manufacturing.

Choose the profile that most closely matches your pool and provide the measurements. A carpenters level will be needed in order to determine the slope of the deck. If your gutter is not similar to any of these diagrams, please sketch your diagram on the back of this paper and provide us similar measurements as requested on this form.

	DESCRIPTION	MEASUREMENT
A	ANCHOR SETBACK	
B	WATER DRAFT	
C		
D		
E		
F		



7100 Spectrum Lane
 Missoula, Montana 59808
 406.542.9781 * 800.791.8056
 Fax: 406.542.1158
 www.spectrumproducts.com

Submitted By: _____

Signature: _____

Date: _____

-- CL --