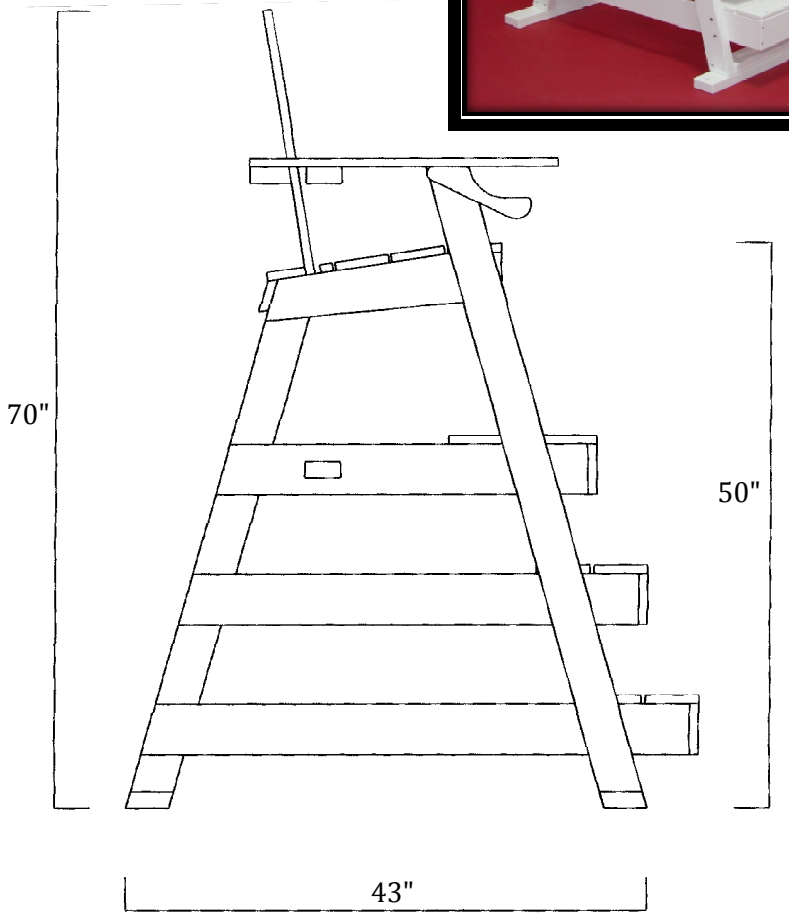
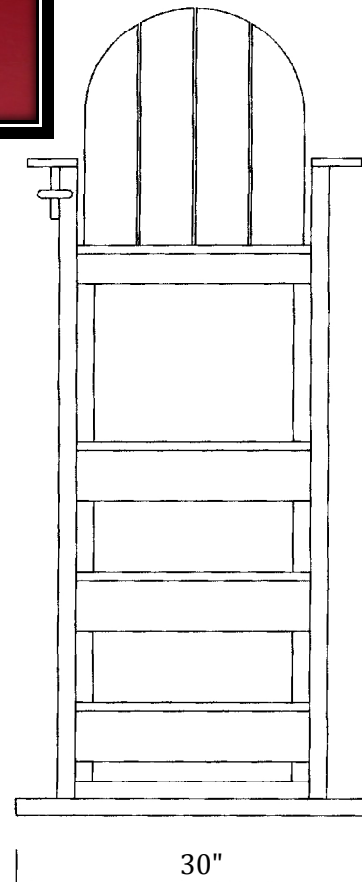


Tailwind® LG515 Lifeguard Chair



Side View



Front View

Specifications subject to change

Made in USA



P.O. Box 129 Maple Park, IL 60151
 815-756-3638 Fax: 815-756-3632
www.tailwindfurniture.com

Tailwind® LG515 Lifeguard Chair

Overall Dimensions: 43"L x 30"W x 70"H
 Seat Height: 50" Step Height: 10" 21.5" & 33"
 Weight: 135lbs.
 Misc: Cup Holder & Umbrella Holder Included
 Materials: HDPE Recycled Plastic Lumber, SS Hardware
 Available Colors: White, Green, Sand, Cedar, & Red

Tailwind® LG515 Lifeguard Chair

MATERIALS:

Tailwind Furniture's Lifeguard Chairs and Complete Line of Furniture are manufactured utilizing High Density Polyethylene, HDPE, a recycled plastic in board form derived from post consumer & post industrial bottle waste, and stainless steel hardware. Tailwind's Lifeguard Chairs & Furniture will never need painting or staining and will not rot or splinter. The recycled plastic has an added UV inhibitor to resist fading. HDPE is unaffected by most corrosive substances. It will not absorb moisture, or promote bacterial growth.

CARE & MAINTENANCE:

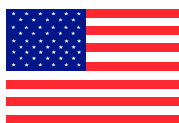
To maintain the original finish, clean regularly with soap and water. If stubborn stains occur, use a pressure washer (not to exceed 1,500 psi which is the same as a carwash: any higher can damage the plastic) and "Greased Lightning", a product found at your local home centers, was found to be most effective.

WARRANTY:

TAILWIND warranties to the original purchaser, the furniture to be free from original defects in material and workmanship for a period of five years for residential use and three years for commercial use from the date of first purchase. TAILWIND will, at its option, repair or replace the defective furniture or refund the purchase price. This warranty does not cover any furniture which has been misused, improperly assembled, repaired or altered by anyone other than TAILWIND, or furniture damaged by exposure to the elements or by storm, hail, fire or flood. This warranty does not apply to the hardware used to assemble the furniture. We reserve the right to modify or discontinue any item, color or terms without notification.

Tailwind Furniture manufactures Nine models of Lifeguard Chairs as well as a Complete Line of Furniture including Adirondack Chairs, Benches, Dining & Pub Sets, Chaise Lounges, & more.

Tailwind Furniture manufactures custom projects. Please contact a sales representative to discuss & quote.



Proudly Manufactured in the USA!



10/15/2014

P.O. Box 129 Maple Park, IL 60112 ~ 195 W. Stephenie Drive Cortland, IL 60112

Office: 815-756-3638 Fax: 815-756-3632

www.tailwindfurniture.com