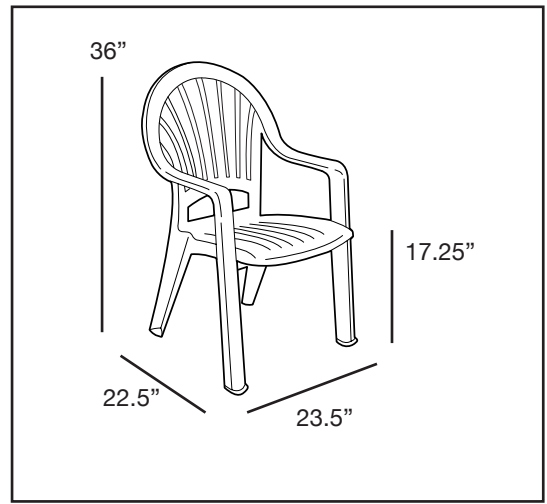




Pacific Fanback Stacking Armchair



Product Specifications

Product Description	Reference Number	Color	UPC Code 014306	Weight Each (lbs.)	Master Pack	Master Pack Volume (cu. ft)
Pacific Fanback Stacking Armchair	49092004	White	100470	11.06	16	40.78
	49092066	Sandstone	100500	11.06	16	40.78
	49092078	Amazon Green	100524	11.06	16	40.78
	US092004	White	100470	12.25	4	16.14
	US092066	Sandstone	100500	12.25	4	16.14
	US092078	Amazon Green	100524	12.25	4	16.14

Features & Benefits Warranty: 5 Yrs.

- Passes ASTM F 1561-96 Class B performance standard for commercial outdoor seating.
- A food service and hospitality industry standard.
- Solid one-piece molded construction.
- Constructed of 100% prime resin; a material impervious to salt air, chlorine and most common stains.
- Resists discoloration because of U.V. stabilizers.
- Attractive high gloss finish.
- Heavy duty contract grade armchair.
- Fanback design provides a distinctive look, plus support and comfort.
- Rated to 300 pounds for safe use in commercial environments.
- Stacks for easy storage.
- Withstands weather extremes.
- Stays cool to the touch in the hot sun.



White



Amazon Green



Sandstone

